

IB1100 Gas Fire

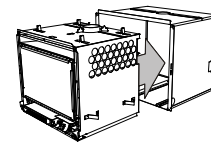
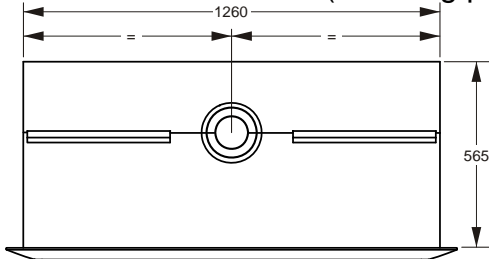


Information Sheet for Builders and Architects AU.

Creating the Cavity:

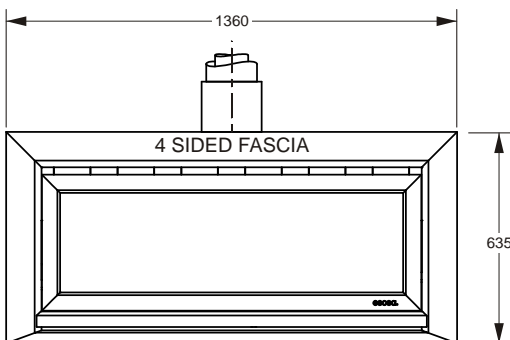
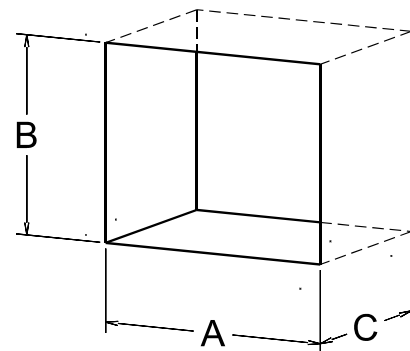
The dimensioned drawings below show the product dimensions and minimum size of the opening that must be created. The wall board that lines the outside of this opening can be normal dry wall (Gib Board) and does not need to be non-combustible. The flue and Outer Skin Kit (OSK) are installed first with power and gas services in place so that the fire itself can be installed quickly and easily once the room, into which it is installed, is complete. i.e. walls finished (painted/papered) and floor coverings in place.

Product Dimensions (Showing product fitted inside OSK): (mm)

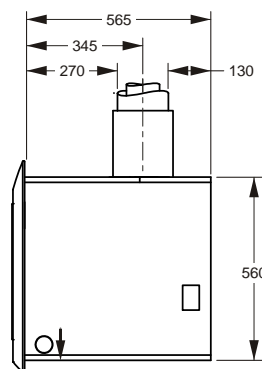


Minimum Cavity Dimensions: (mm)

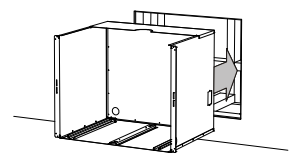
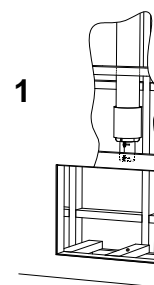
	A	B	C
IB1100	1260	560	565



IB1100 – 4 sided fascia

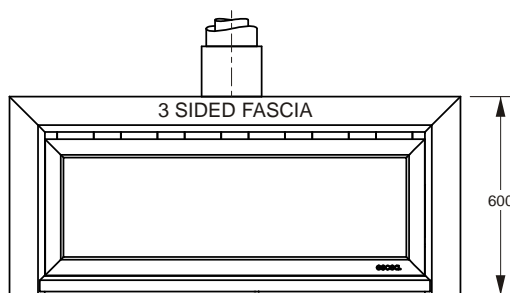


Order of installation:

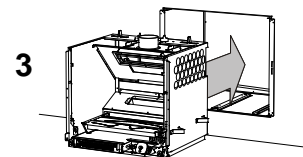
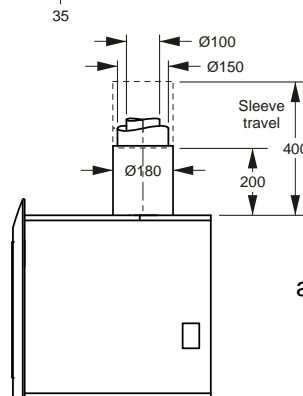


Cavity created and flue installed

OSK fitted and gas & power services installed



IB1100 – 3 sided fascia



After the room/dwelling is complete finally install and commission the gas fireplace.

Gas Specifications:

- Heat output = 7.9kW
- Gas Input = 40MJ/h
- Gas Connection = Front RH corner of heater
- Electrical Connection = 240V 3 Pin plug within 1.2m of the rear LH corner of heater

Flueing the heater:

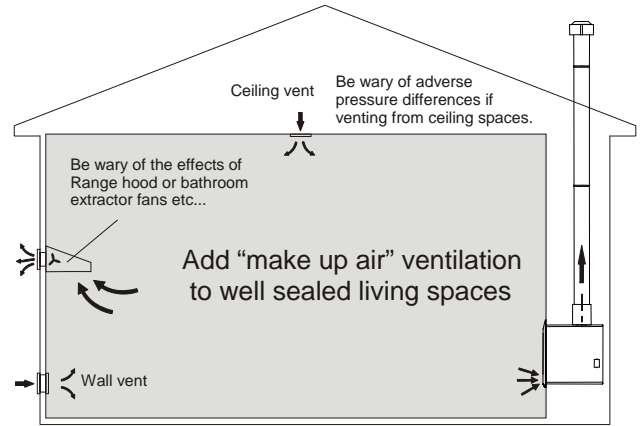
This heater is to be conventionally flued with a 100mm dia flue system, in accordance with the requirements of AS5601 / AG601-2000.

Ventilation:

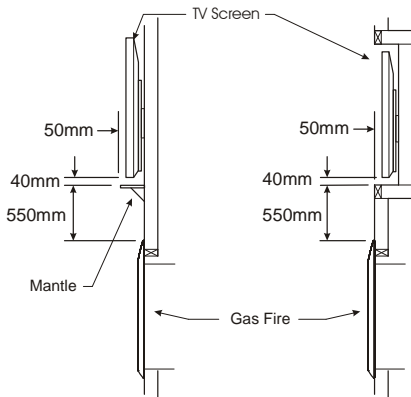
It is **important to remember** that local building codes require additional ventilation be included into living spaces where open flued natural gas appliances are installed.

Your local building codes provide formulae and tables for calculating the required ventilation given the size of the living space and the gas input of the appliance.

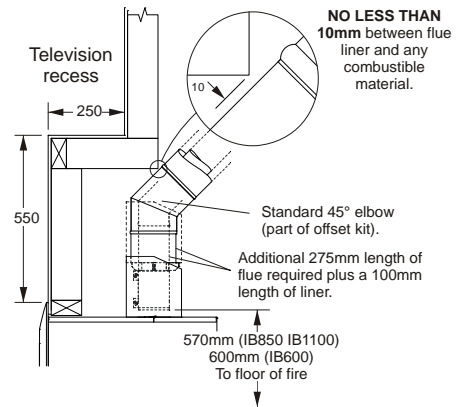
The following are the recommended minimum clearances for the location of any electrical equipment (such as Plasma TV, LCD TV or home theatre) above an escea gas fire. Use either (1) a shelf or mantle below your TV screen or alternatively you can construct (2) a recess to mount your TV screen into.



- 1. Protective Mantle
- 2. Recessed



When building a recess the flueing must be considered. Shown right is the minimum distances possible when offsetting the flue to allow for a recess above.



Floor of cavity:

The base of the product must be fully supported at either side and at the centre front to back.

Hearth:

If this fire is being installed at floor level a hearth made from non-combustible material must extend *no less than 300mm from the front of the fire*. This hearth should be at least as wide at the fire's outer fascia and no less than 10mm thick. The floor in front of this hearth will still get warm so if floor covering is vinyl, nylon carpet or other heat sensitive material then we recommend extending the hearth to 450mm in depth.

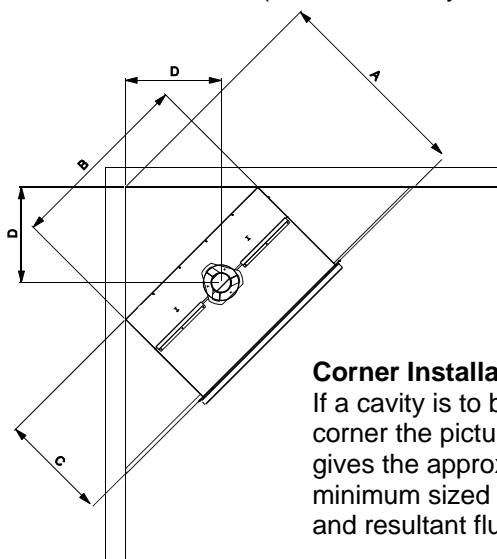
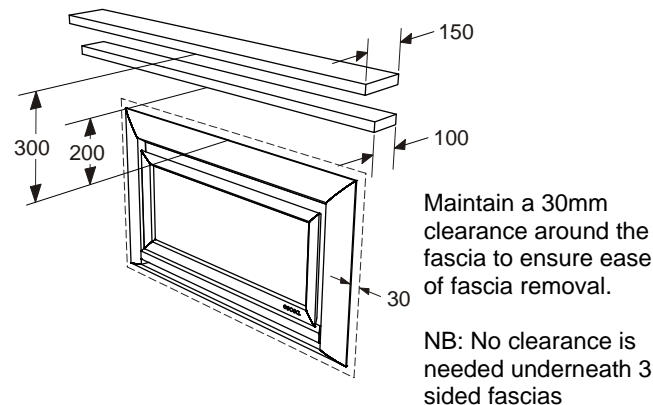
If you plan to cover the hearth with a veneer such as tiles remember to keep the base of the fire level with the top of the hearth covering.

Raising the fire up a wall:

If the fire is being located where its base is any more than 100mm up off the ground, no hearth is required. Escea recommend using our four sided fascia. (Available from your Glen Dimplex agent).

Mantle Clearance:

Please refer to diagram below. Mantles or protruding ledges mounted above the heater that are made from **combustible materials**, must not extend out side of the dimensions shown.



	Dims (mm)
A	1195
B	1260
C	565
D	600

Corner Installations:

If a cavity is to be created in a corner the picture to the left gives the approximate minimum sized interior wall and resultant flue position.

Manufactured by:
Escea Ltd New Zealand

Visit the Escea website for details of your local distributor
Web: www.escea.net