

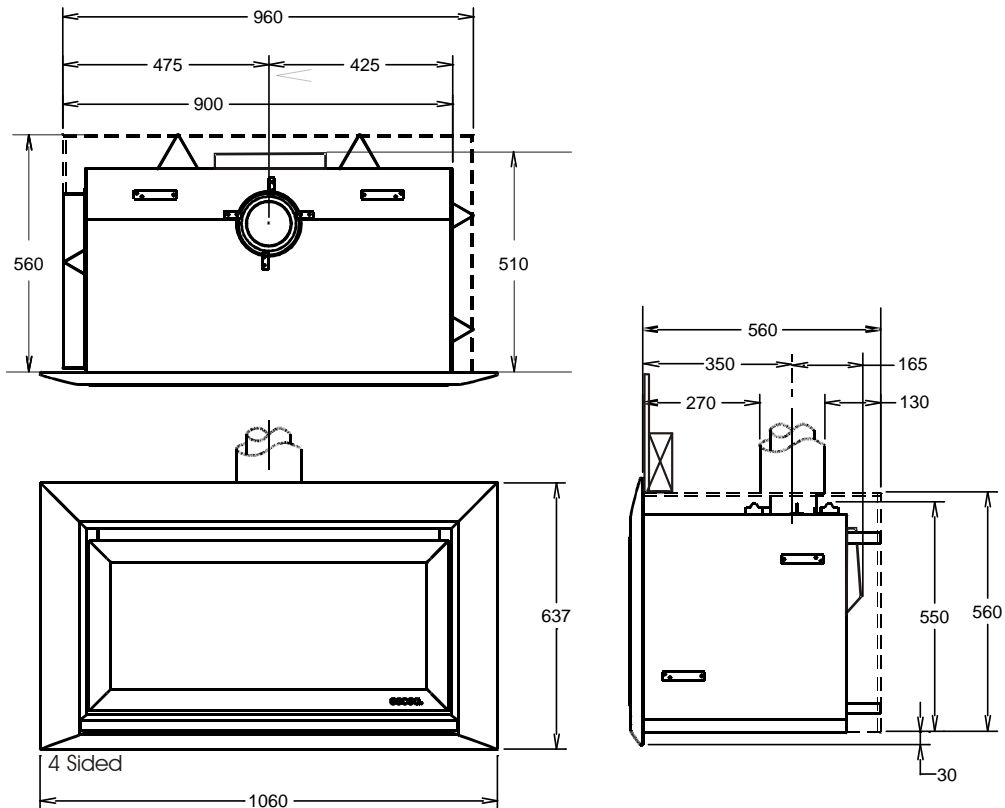
## 1.0 Product Description:

The Escea IB850 and IB600 gas fires are designed to be built into a cavity. Both appliances are flued conventionally via a Ø100mm flue system.

The user will control their fire with the Radio Frequency (RF) remote that will normally be left in its wall mount cradle. In addition to the RF remote it has a single auxiliary On/Off button on the unit. When not in operation it is in a standby mode unless it is physically isolated from the mains supply.

- 1.1 The Escea IB850 and IB600 **Outer Skin Kit** must be used with **ALL** installations. They seal the cavity and also prevent any combustible material surrounding from getting excessively hot.

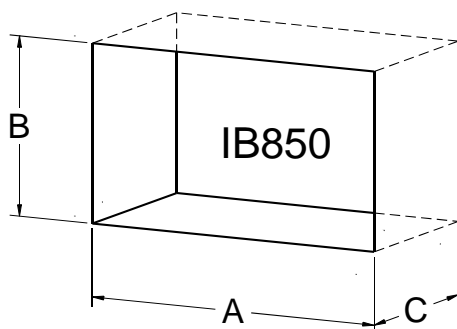
*Dashed line indicates Outside Dimensions of Outer Skin Kit*



## 2.0 Creating the Cavity:

The dimensioned drawing below shows the size of opening that must be created to fit the Outer Skin Kit.

**Note:** It is not necessary to line the cavity.



### Minimum Cavity Dimensions:

All dimensions in millimetres

	A	B	C
<b>IB850</b>	955	560	565

### Maximum Cavity Dimensions:

All dimensions in millimetres

	A	B	C
<b>IB850</b>	985	-	-

- 2.1 Where possible, it is recommended that cavity is made slightly larger than the above dimensions to give the installer the maximum amount of space to work in.