



# 564 Diamond Fyre™

with GreenSmart™ Technology

Direct Vent Gas Fireplace



564 Diamond Fyre™  
Black Shadow Box



564 Diamond Fyre™  
Stainless Steel Shadow Box



564 Diamond Fyre™  
Bostonian Black



564 Diamond Fyre™  
Bostonian Stainless Steel



The 564 Diamond-Fyre does not utilise logs and embers. Instead, a sleek black enamel fire container holds the dancing flames. Glowing crushed glass, lit from below with the standard accent lights, surrounds the fire and sparkles with tiny reflections of the flames. Firebacks are required, and you can choose the black painted fireback, black enamel or opt for the brushed stainless steel fireback which reflects the ever-changing flames creating the illusion of multiple fires. Select from three colours of glass media for the firebox floor - Platinum (white), Cobalt (blue) or Bronze for your own customized display. The 564 Diamond-Fyre will heat an area of up to 90 sqm with a maximum gas input of 21.6Mj. The turn-down ratio of 75% to a low input of 5Mj with natural gas or 4.2Mj with LPG allows great flexibility for year-round use. The Split-Flow ribbon burner allows the left and right sections to be shut off leaving only the center portion lit for times when the mood calls for a fire but the comfort level does not require a large heat output.

## Features

- GreenSmart™ burner system
- Thin profile - Only 412mm deep.
- 564 square inches of tempered fire viewing glass.
- Safety screen in front of glass included.
- Linear, two-stage burner features tall flickering flames surrounded by a bed of under lit glass media.
- Choice of glass floor media - Platinum, Bronze or Cobalt Blue.
- Comfort Control Valve™
- Top or rear vent option on same unit.
- Easy to adjust air shutter.
- Durable 16 gauge steel construction
- Shut off valve included in fireplace
- Zero clearance or masonry installation
- Variable convection fan for increased heat transfer
- Accent Lights supplied as standard
- LPG conversion kit included at no additional cost

## Specification

- 21.6Mj per hour (high) NG/ LPG
- 5Mj per hour (low) NG
- 4.2Mj per hour (low) LPG
- Glass Size: 797mm wide x 460mm high
- Heating up to 90 sqm\*

FEATURING



\*Heating capacity varies according to floor plan, insulation & outside temperature



# 564 Diamond Fyre™ Options & Dimensions

## Required Items

### Required Firebacks

A fireback is a required item and adds a stunning finish to your fireplace. Please select from one of the following options.



Black Painted Fireback



Stainless Steel Fireback



Black Enamel Fireback

### Required Decorative Glass Media

Beautiful decorative glass media comes in your choice of three colours. The reflective glass media is bottom lit with the adjustable accent light and together with the flame gives the impression of millions of glowing shimmering gemstones.



Reflective Platinum



Reflective Bronze



Cobalt Blue

## Options

### Shadow Box Trim

The Shadow Box face projects 89mm out from your fireplace facing in multiple levels creating a frame for the delightful fire. The Shadow Box conceals the convection openings and the controls to give the fireplace a linear, contemporary appeal. The face is available with a subtle reverse bevel in either bold brushed nickel or sleek brushed satin black, layered with a subtle bevel on top of a black painted frame. Add optional brushed nickel glass trim for an additional accent. (Face is 1149mm Wide x 819mm High.)



Shadow Box Brushed Nickel



Studio Trim Black

### Studio Surround Trim

The Studio surround trim option fits around the perimeter of the fireplace face framing the 564 Diamond-Fyre like a beautiful picture. Studio surround trim is available in three-piece (for hearth mount) or four-piece (for wall mount) installations.

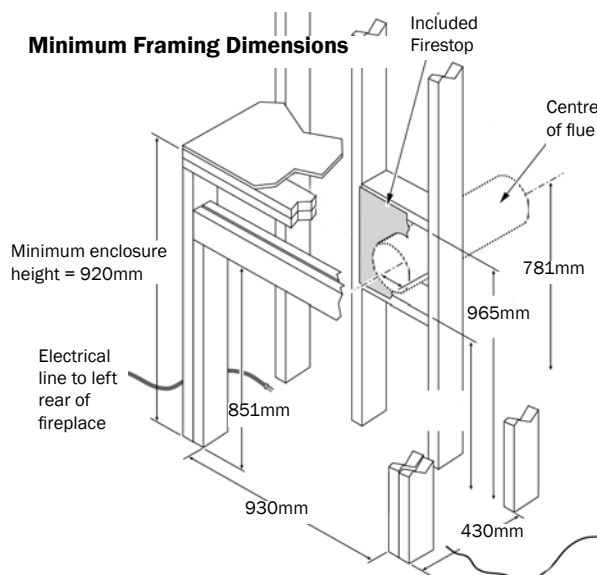
Further face options are available - refer to the main Lopi GreenSmart Gas Fireplace Brochure

### Optional GreenSmart Remote Control

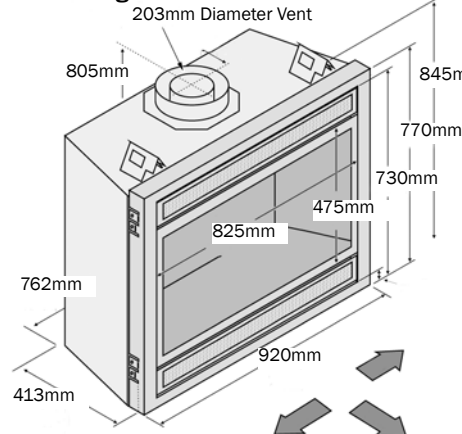


## Installation Specifications

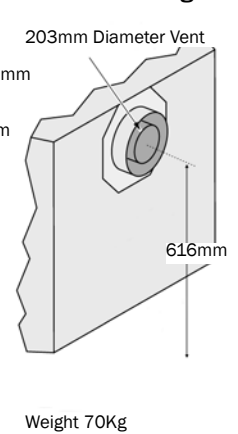
Always refer to and use the installation manual for complete install information  
Dimensions are subject to change at any time



### Top Vent Configuration



### Rear Vent Configuration



Authorised Lopi Dealer:



Distributed in Australia  
by Dragon Wholesaling Pty Ltd  
Ph. 1800 064 234  
www.lopi.com.au