



Direct Vent Gas Fireplaces **GREEN SMART™**

## Introducing the world's most revolutionary gas burner system



### Featuring:

#### **GreenSmart™ Pilot**

Both Electronic & Continuous Pilot modes

#### **Comfort Control™**

High turn down ratio with unique dual burner

#### **Accent lights**

Adding a warm glow for added atmosphere

#### **Control Panel Lighting**

Increased visibility of controls even in the dark

#### **Glide-Away™ or Drop Down Concealment Door**

An elegant finish meaning no more exposed components

#### **Smart Thermostat Mode**

Option that automatically adjusts flame height to set temperature



*"Our Fires Just Got Greener"*



## What is GreenSmart™

The patent-pending GreenSmart™ System is the most innovative collection of components, controls and technology that when combined provide an elegant, smarter and greener way to heat your home. Innovative standard features include: accent lights, flame adjustments and a choice of pilots. An optional GreenSmart remote allows you to run the fireplace in “Smart Thermostat Mode” that automatically adjusts the heat output based on the temperature setting – so the flame will modulate up/down as opposed to shutting off/on like normal thermostats. This conserves fuel and maximises heating ability while extending the viewing pleasure of the fire.

## Basic GreenSmart Control System

This dashboard is located under the front of the appliance and is operated manually. It has five components:



1. Optional Convection Blower Manual Rheostat Control.
2. Accent Light Manual Control - For ON/OFF and brightness adjustment.
3. Variable Flame Control: Adjusts flame and heat up and down.
4. Two Position Pilot Selection: Push up for continuous pilot and down for GreenSmart Pilot.
5. Comfort Control Module Includes:
  - Comfort Control: This ON/OFF rocker switch electronically turns the rear portion of the burner on/off.
  - Main Burner Switch: This switch turns the burner on/off
  - Battery Back-Up: Allows you to operate the burner during power outages



*Glide-Away Closed*



*Glide-Away Open*

## Glide-Away™ or Drop Down Concealment Door

The control valve and wires are hidden by our new concealment door to provide an elegant, more finished appearance. The concealment door conveniently opens and closes for easy access to the controls.

## Highly Visible Dashboard

The GreenSmart basic controls of the unit are located on a black dashboard behind the concealment door. All controls are clearly labeled with white silk-screened lettering for easy reading.



## Control Panel Lighting

When the concealment door is opened, control panel lighting is automatically turned on to make viewing controls on the dashboard easy even in a low light environment in the home.



# GREEN SMART™

## Dancing-Fyre™ Split-Flow Burner:

The Dancing-Fyre™ is found in our Lopi 564GS, Lopi 864 and Lopi 864ST gas fireplaces and features a split-flow steel burner. The front and rear burners can be operated together for maximum heat output and flame appearance or with only the front burner for an impressive turn-down ratio. This flexibility allows for a continual flame appearance when lower heat output is needed and provides a smarter, greener way to heat the home.



## Choice of Pilots

### Continuous Pilot or GreenSmart Pilot:

This switch allows you to run your fireplace in either standing pilot mode - where the pilot flame continually stays on, ideal during periods of extreme cold when a draft is needed for safe, reliable operation – or for maximum efficiency use the GreenSmart mode, where the pilot flame ignites via an intermittent pilot (IPI) spark that does not run continually and thus conserves energy when the fireplace is not being operated. The GreenSmart system includes a battery back-up, ensuring proper ignition even during power outages.



## Comfort Control™ Features:

With the push of a button your Comfort Control will turn off the rear burner while leaving the front burner on for an attractive flame appearance when heat output is not the priority. This feature delivers a turn-down ratio of up to 72 percent! It works with the Green-Smart split-flow burners, and offers a more efficient way to heat the room by only burning the correct amount of fuel to keep a constant temperature; so this is another smarter, greener way to enjoy fire in the home.



Low Burn



High Burn

## Accent Lights

Accent Lights are a standard feature in all GreenSmart fireplaces. Lights add a warm glow to both the logs and optional ceramic or stainless steel fireback and can be used when the fire is on or off. Perfect as a nightlight or soft indirect light for the room, the Accent Light allows visual enhancement of your fireplace 365 days a year.



## GreenSmart Remote Control System

This upgrade option includes a hand-held GreenSmart remote, GreenSmart receiver cartridge, servo motor for the gas valve, power control module and wire harness. All basic features are controlled via the hand-held remote control, which includes both front and rear burners with two additional exciting features:

- Programmable Thermostat Mode Controls
  - Fire ON/OFF and adjust flame height
  - Split-Flow Burner ON/OFF
  - “Smart Mode” ON/OFF
  - Thermostat Control Setting

### • “Smart” Thermostat Mode:

This allows the heating appliance to automatically adjust the flame height based on a temperature set via the GreenSmart remote control’s thermostat. The flame will modulate from low to high, or high to low until the set temperature is reached, thus conserving fuel and maximizing heating ability to extend the viewing pleasure of the fire. The “Smart” mode also keeps the flame and blower operation closer in sync. When the desired room temperature is reached the flame will shut down. Since the fireplace has gradually decreased the fire and internal firebox temperature your convection fan will now run for a shorter period of time after the fire has gone off which will save energy.





Lopi 564 GS Shown with Brushed Stainless Steel Liner & 4 Sided Finishing Trim

## Standard Grill Options



Standard Bostonian Grills



Standard Avalon Grills



Standard Arched Grills

## Lopi 564 GreenSmart™

Join the Lopi tradition by heating your home with the Lopi 564 GS gas fireplace. At Lopi we build only the highest quality fireplaces. Notice the detail and beauty in the logset, the warm glowing fire and decorative faces available. The design of the Lopi 564 GS allows you to add the beauty of fire with a large viewing area while giving you control over the heat. The huge turn-down rate makes the 564 GS fireplace ideal for smaller rooms such as bedrooms and dens and for those not needing a large amount of heat, but still wanting to enjoy a beautiful fire year-round.

The Lopi 564 GS can be tailored to your home. Choose from a huge selection of grills, faces, and fireback liners to create your own personalised look.

## Features

- GreenSmart™ burner system
- Thin profile - Only 412mm deep.
- 564 square inches of tempered fire viewing glass.
- Safety screen in front of glass included.
- Split-Level (Dual Burner) Dancing-Fyre™.
- Comfort Control Valve™
- Top or rear vent option on same unit. (Rear NG Only)
- Easy to adjust air shutter.
- Durable 16 gauge steel construction
- Shut off valve included in fireplace
- Zero clearance or masonry installation
- Variable convection fan for increased heat transfer
- Accent Lights supplied as standard
- LPG conversion kit included at no additional cost
- Standard wall switch included.
- Optional Remote

## Specification

- 21.6Mj per hour (high) NG/ LPG
- 5Mj per hour (low) NG 4.5Mj per hour (low) LPG
- Glass Size: 797mm wide x 460mm high
- Heating up to 90sqm\*

FEATURING



**Lopi 564 Birch log Set**  
(Alternative Upgrade to Standard)





Lopi 864 GS Shown with Standard Bostonian Grills

### Standard Grill Options



Standard Bostonian Grills



Standard Avalon Grills



Standard Arched Grills

## Lopi 864 GreenSmart™

The 864 GS is perfect for bigger rooms or as a beautiful, decorative fire all year long. It features a wide Mj turn down range for more heat flexibility and flame viewing options. A wide range of face styles and options are available to create a fire to suit you and your decor. The 864 GS features 864 square inches of viewing area.

### Ultimate Flame Regulation

You have virtually unlimited flame variation with our Comfort Control™ switch and the variable flame control. Use all 31Mj's of flame on the coldest winter nights or turn it down to only 7Mj (NG) or 5.5Mj (LPG) for a romantic firelight on a warmer night. You can enjoy a full flame fire with maximum height or use the variable flame control to turn the flames lower when you want less heat. Use the Comfort Control™ switch to turn off the rear burner completely for a darker, more romantic fire and less heat.

### Features

- GreenSmart™ burner system
- 864 square inches of tempered fire viewing glass.
- Safety screen in front of glass included.
- Split-Level (Dual Burner) Dancing-Fyre™
- Comfort Control™ Valve
- Top or rear vent option on same unit
- Easy to adjust air shutter.
- Durable 16 gauge steel construction
- Shut off valve included in fireplace
- Zero clearance or masonry installation
- Variable convection fan for increased heat transfer
- Accent Lights supplied as standard
- LPG conversion kit included at no additional cost
- Standard wall switch included
- Optional Remote

### Specification

- 31Mj per hour (high) NG/ LPG
- 7Mj per hour (low) NG 5.5Mj per hour (low) LPG
- Glass Size: 865mm wide x 570mm high
- Heating up to 125sqm\*

FEATURING



Optional Aromatherapy available on Wilmington Face. Use your fire to add even more romance!

Ask your Lopi dealer for more details.



Lopi 864ST GS Shown with Pewter Grills

Standard Grill Options



Standard Bostonian Grills



Standard Avalon Grills



Standard Arched Grills

**Lopi 864ST GreenSmart™**

A home is a combination of dreams and choices, each a reflection of you. From the most intimate engraved details on a fireplace face to the grandest of fires, our fireplaces bring a sense of style to your home. The 864ST GS maintains this tranquility with a perfect balance between the firebox, logs and flames. The logs and fire have been carefully designed to give you a different look from either side. Compare the amazingly realistic nine piece logset with any other see-thru fireplace on the market! The unique split-level Dancing-Fyre™ burner will give you a warm, yellow fire with glowing embers that your friends and family will have a hard time telling apart from a real wood fire.

The 864ST GS, a fireplace with two points of view. You can personalise each room using a different face on each side of the fireplace. Choose one of the standard grill sets or even choose one of the beautiful upgrade faces.

**Features**

- GreenSmart™ burner system
- 1728 square inches of ceramic viewing glass
- Safety screen in front of glass included
- 9 piece log set provides different look each side
- Split-Level (Dual Burner) Dancing-Fyre™
- Top or side vent option on same unit
- Easy to adjust air shutter
- Durable 16 gauge steel construction
- Shut off valve included in fireplace
- Zero clearance or masonry installation
- Variable convection fan for increased heat transfer
- Accent Lights supplied as standard
- LPG conversion kit included at no additional cost
- Standard wall switch included
- Optional Remote

**Specification**

- 39.5Mj per hour (high) NG/ LPG
- 15.5Mj per hour (low) NG 10.5Mj per hour (low) LPG
- Glass Size: 865mm wide x 570mm high
- Heating up to 135sqm\*

FEATURING **GREEN SMART**



**Face, grill & trim options on page 7**

\*Heating capacity varies according to floor plan, insulation & outside temperature

# Lopi™ Fireplace Options

After choosing your Lopi GreenSmart Fire, select either your grills or choose one of our face options. You can also add a fireback liner along with an optional remote control or wall thermostat.

## Additional Grill & Trim Options



Bostonian Pewter Grill



Nickel Glass Trim

## Face Options



Classic Arch Black



Artisan Hand Hammered



Architectural Doors Rectangular



Architectural Doors Arched



Wilmington Nickel



French Country Black



Metropolitan Nickel



Victorian Lace Black



Matrix Nickel (Lopi 564 Only)



Rosario Black

## Fireback linings



Diamond Mosaic



Stucco



Rock Creek



Enamel Black



Quilt



Stainless Steel



Basket Weave



Straight Brick

## Finishing Trims



4 Sided Stainless Steel Trim



3 Sided Black Trim

Finishing trims available in 3 or 4 sided, black or stainless steel

## Control Options



Wall Thermostat

Standard Remote



GreenSmart Remote



The wall thermostat gives you the ability to set a temperature and the fire will switch on and off accordingly.

The standard remote gives you the ability to switch the fire on & off, set a temperature & program to turn off.

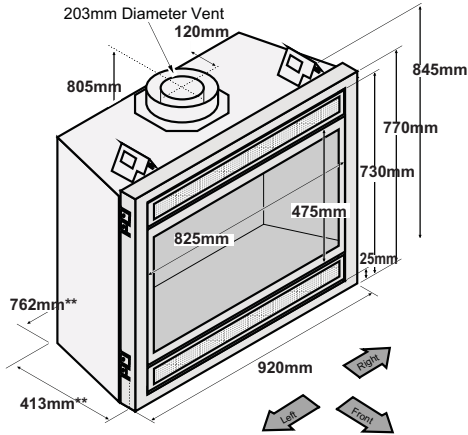
This allows you to take full advantage of the new GreenSmart features including 'Smart Mode.'



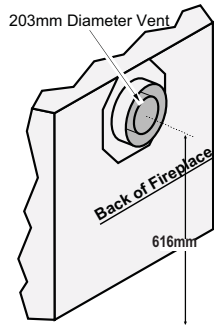
# Framing Dimensions & Specification

## Lopi 564GS

### Top Vent Configuration



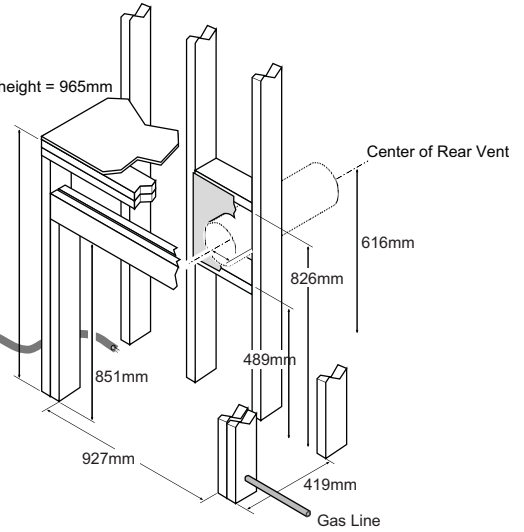
### Rear Vent Configuration



Weight: 70 kg

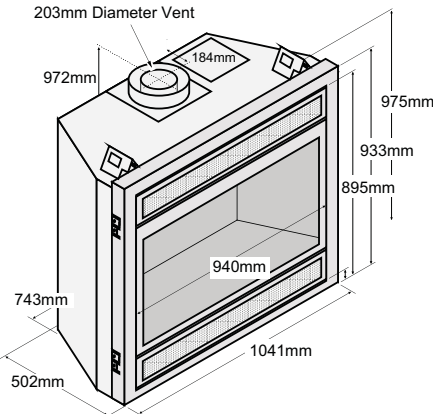
Minimum enclosure height = 965mm from base of heater

Route the electrical line to a position to the left rear of the fireplace.

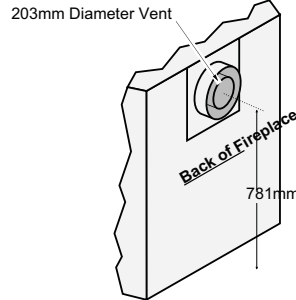


## Lopi 864GS

### Top Vent Configuration



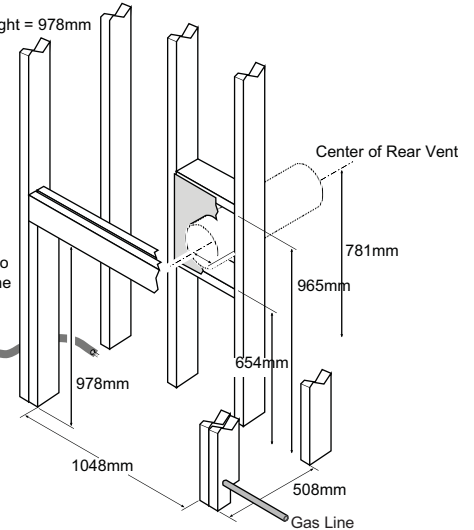
### Rear Vent Configuration



Weight: 93kg

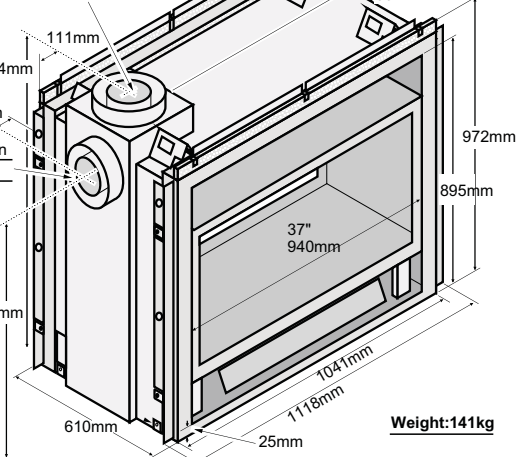
Minimum enclosure height = 978mm from base of heater

Route the electrical line to a position to the left rear of the fireplace.



## Lopi 864ST

### Top Vent Configuration



### Side Vent Configuration

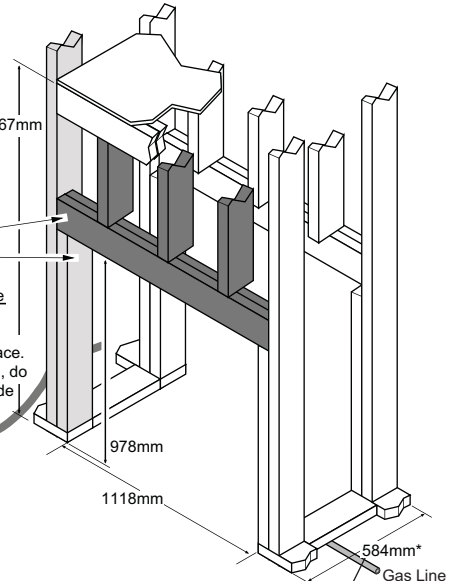
203mm Diameter Vent

Weight: 141kg

Minimum enclosure height = 1067mm from base of heater

**NOTE:**  
The shaded framing must be installed after placing the fireplace in position. The framing above the fireplace interferes with the top of the fireplace. If using the side vent configuration, do not install the framing to the left side (shown in light gray).

Route the electrical line to a position to the left rear of the fireplace.



\*Take fire depth & subtract wall finish ie. plasterboard plus any other sub-straight

Authorised Lopi Dealer:



Distributed in Australia by Dragon Wholesaling Pty Ltd

Ph. 1800 064 234  
www.lopi.com.au

**Note:** Improper installation of your gas appliance or failure to operate it in accordance to the guidelines detailed in the Installation Manual may negate your warranty and endanger your home and family. Installation information is available on our website at [www.lopi.com.au](http://www.lopi.com.au) We recommend all Lopi appliances be installed and maintained on an annual basis by your local authorised Lopi dealer.