



www.regency-fire.com.au

GREENFIRE™ GAS FIREPLACES



Why Choose Regency?

An exceptional fire, custom elegance and controllable heat are just a few reasons to make a Regency fire part of your family.

In 1979, I founded Regency Fireplace Products with a mission to produce the finest fireplace products available anywhere. As a result, Regency has been honoured with awards for exceptional aesthetics and performance and is known as the premium brand around the world. We have been dedicated to providing Australia & New Zealand with Regency fires for over 20 years: committed to creating products that promote comfort and peace of mind.

I am so confident in the quality workmanship, the finest materials and durable heavy-duty construction invested in each and every product, that I offer a Limited Lifetime Warranty. Invite the comfort, efficiency and style of a Regency gas or wood fire into your home and enjoy quality time for a lifetime - I guarantee it.



Robert Little
Founder & CEO





GF1500LST (view B) shown with door frame and fascia in black.

Why Choose A Direct Vent Fireplace?

A Regency direct vent gas fireplace is the perfect heating solution for your renovation or new construction project. In just three easy steps, you can have a Regency Gas Fire almost anywhere in your home - no chimney needed! Select a fireplace, choose a fascia, and have it vented through an outside wall. Enjoy watching the lively, realistic fire of your new Regency while it warms your home and your soul.

GF1500LST

Extra Large See-Through Gas Fireplace

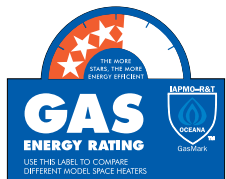
There are 2 sides to every fire. This see-through gives you 2x the viewing area and 2x the control. With an artistically designed driftwood log set, that provides a unique view on each side; you can now benefit from maximum heat and maximum flame, in 2 different spaces.

STANDARD FEATURES

- Wide see-through landscape fire with driftwood log set, viewable from each side
- Realistic ceramic glowing ember bed, viewable from each side
- Black enamel reflective side panels
- Two 3-speed fans, one on each side
- Electronic ignition
- RF Remote control allows you to independently operate each fan
- High quality dress guard, on each side
- Dual heat output allows you to control which area is better suited for higher heat
- Direct vent room sealed technology

OPTIONS

- Contemporary door frame & fascia in black or brushed stainless steel
- Premium glass fascia in black
- Clean edge finish option (no fascia required)
- Optional trim kit for clean edge finish
- Black or stainless steel inner door frame to mix and match
- Optional framing kit
- LPG/ULPG conversion kits
- Horizontal or vertical flue options
- AstroCap™ Venting System for horizontal termination
- Heat distribution kit & air duct to distribute heat to other rooms (up to 2 can be fitted)



**when installed with a vertical flue kit on NG*





GF1500LST (view B) shown with clean edge finish (no fascia).



GF1500LST (view A) shown with door frame and fascia in brushed stainless steel.



GF1500LST (view B) shown with inner door frame and glass fascia in black.

GF1500L

Extra Large Gas Fireplace

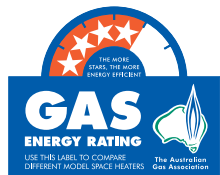
The Regency Greenfire provides an immense linear view of the best in class flame and log package that Regency currently offers. Perfect for contemporary spaces and open concept living areas, heat is distributed throughout the home with maximum efficiency. The black enamel reflective panels further accentuate the fire – drawing friends and family closer to stay a while longer.

STANDARD FEATURES

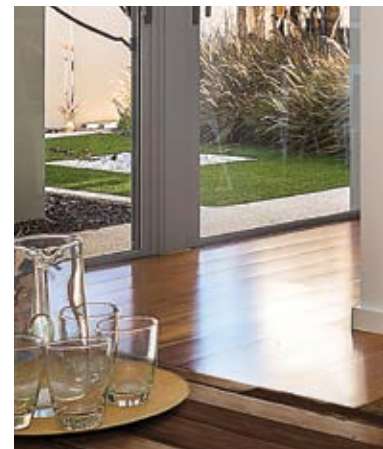
- Wide landscape fire with driftwood log set
- Realistic ceramic glowing ember bed
- Black enamel reflective side panels
- 3-speed fan
- Electronic ignition
- RF Remote control
- Direct vent room sealed technology

OPTIONS

- Contemporary door frame & fascia in black or brushed stainless steel
- Premium glass fascia in black
- Clean edge finish option (no fascia required)
- Optional trim kit for clean edge finish
- Black or stainless steel inner door frame to mix and match
- Optional framing kit
- LPG/ULPG conversion kits
- Horizontal or vertical flue options
- AstroCap™ Venting System for horizontal termination
- Heat distribution kit & air duct to distribute heat to other rooms



*when installed with a short horizontal flue kit on NG





GF1500L shown with clean edge finish (no fascia).



GF1500L shown with door frame and fascia in brushed stainless steel.



GF1500L shown with brushed stainless steel inner door frame and glass fascia in black.

GF900L

Large Gas Fireplace

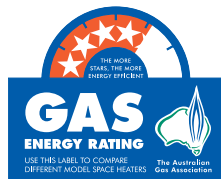
The Regency Greenfire adds modern expression to any living space with today's sleek, linear styling. This series features seamless design and beautiful wide angle flames set with a coastal driftwood log fire. Efficient, clean-burning zone heating has never been more stylish!

STANDARD FEATURES

- Wide landscape fire with driftwood log set
- Realistic ceramic glowing ember bed
- Black enamel reflective side panels
- 3-speed fan
- Electronic ignition
- RF Remote control
- Direct vent room sealed technology

OPTIONS

- Contemporary door frame & fascia in black or brushed stainless steel
- Premium glass fascia in black
- Clean edge finish option (no fascia required)
- Optional trim kit for clean edge finish
- Black or stainless steel inner door frame to mix and match
- Stainless steel reflective side panels
- Optional framing kit
- LPG or ULPG conversion kits
- Horizontal or vertical flue options
- AstroCap™ Venting System for horizontal termination
- Heat distribution kit & air duct to distribute heat to other rooms



*when installed with a short horizontal flue kit on NG





GF900L shown with clean edge finish (no fascia).



GF900L shown with door frame and fascia in brushed stainless steel.



GF900L shown with clean edge finish (no fascia).

GF900C

Large Gas Fireplace

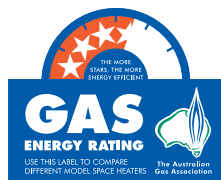
The Regency Greenfire adds modern expression to any living space with today's sleek, linear styling. This fireplace features seamless design and beautiful wide angle flames set on a full bed of shimmering crystals and hand picked Peruvian volcanic stones. Efficient, clean-burning zone heating has never been more stylish!

STANDARD FEATURES

- Wide landscape fire with stones and crystals
- Black enamel reflective side panels
- 3-speed fan
- Electronic ignition
- RF Remote control
- Direct vent room sealed technology

OPTIONS

- Contemporary door frame & fascia in black or brushed stainless steel
- Premium glass fascia in black
- Clean edge finish option (no fascia required)
- Optional trim kit for clean edge finish
- Black or stainless steel inner door frame to mix and match
- Stainless steel reflective side panels
- Optional framing kit
- LPG or ULPG conversion kits
- Horizontal or vertical flue options
- AstroCap™ Venting System for horizontal termination
- Heat distribution kit & air duct to distribute heat to other rooms



*when installed with horizontal flue kit on NG





GF900C shown with clean edge finish (no fascia).



GF900C shown with door frame and fascia in brushed stainless steel.



GF900C shown with inner door frame and glass fascia in black.

OTHER FEATURES

Fireplace Model	Nominal maximum gas consumption			Output		
	NG	LPG	UPLG	NG	LPG	UPLG
GF1500LST	50 MJ	49 MJ	44 MJ	10.6 kW	10.7 kW	9.6 kW
GF1500L	50 MJ	49 MJ	44 MJ	10.8 kW	10.7 kW	10.1 kW
GF900L	35 MJ	28 MJ	28 MJ	7.8 kW	6.3 kW	6.4 kW
GF900C	32 MJ	28 MJ	28 MJ	6.9kW	6 kW	6 kW

NOTE: kW output based on horizontal flue run.

DESIGN OPTIONS



Clean edge finish (no fascia)



Door frame and fascia in black



Door frame and fascia in brushed stainless steel



Glass fascia in black with black inner door frame



Glass fascia in black with brushed stainless steel inner door frame

Fascia dimensions (mm)	GF1500LST		GF1500L		GF900L/GF900C	
	Width	Height	Width	Height	Width	Height
Clean edge finish option (no fascia)	1267	459	1267	459	1002	446
Door frame and fascia in black	1359	549	1359	549	1091	536
Door frame and fascia in brushed stainless steel	1359	549	1359	549	1091	536
Glass fascia in black or with brushed stainless steel inner door frame	1460	654	1460	654	1192	641

FINISHES



Clean Front Trim



Black Fascia

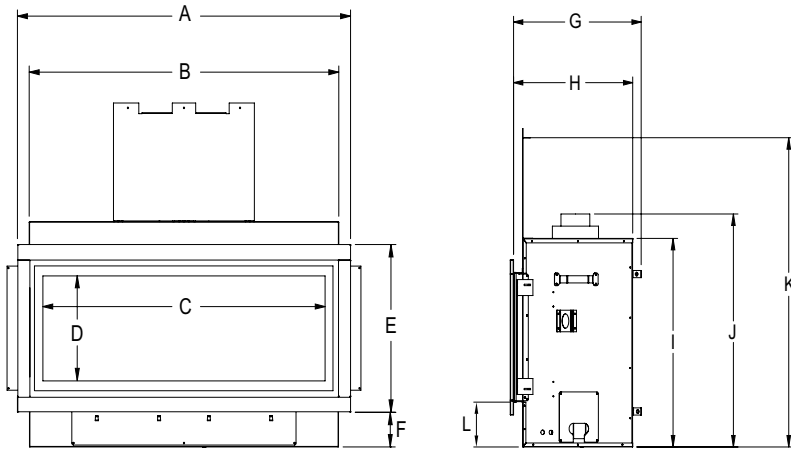


Brushed Stainless Steel Fascia



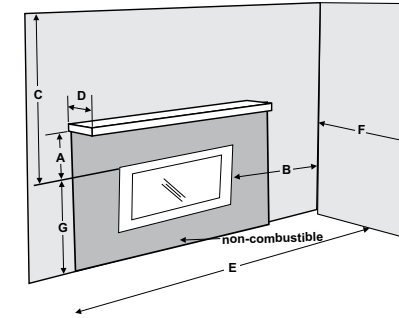
Black Glass Fascia

SPECIFICATIONS (mm)



	GF1500LST	GF1500L	GF900L/ GF900C
A	1439	1359	1091
B	1267	1263	995
C	1152	1152	889
D	346	345	332
E	549	549	536
F	194	113	113
G	516	562	560
H	477	525	522
I	844	737	725
J	920	824	795
K	1005	1094	1082
L	241	159	160

CLEARANCES

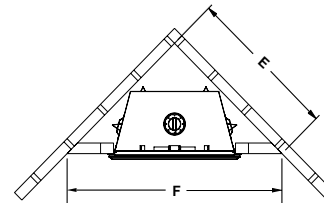
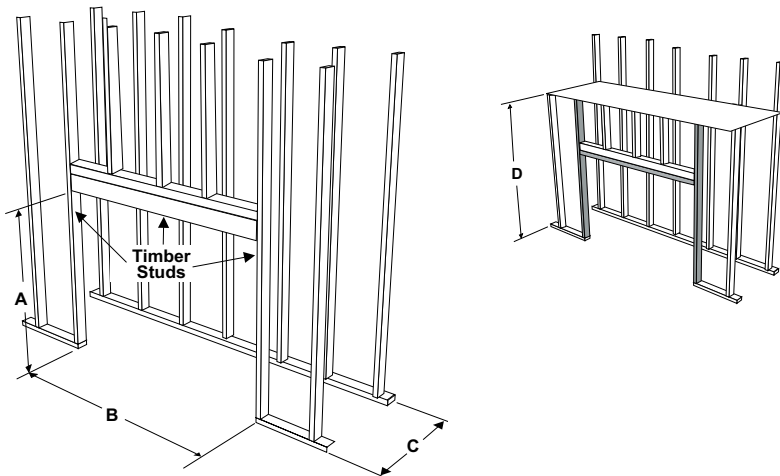


Clearances	GF1500LST	GF1500L	GF900L/ GF900C
A* (min. - max.)	330 - 559	502 - 730	438 - 667
B	203	152	146
C	1162	1162	1003
D** (min. - max.)	25-305	25 - 305	25 - 305
E	1676	1524	1480
F	914	914	787
G*	702	617	610

*Distance is measured from top of hot air outlet.

**Clearances vary for different mantle depths. Please refer to manual for details.

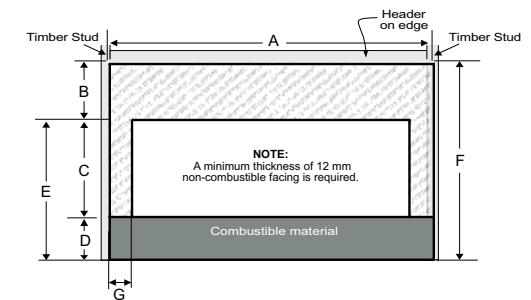
FRAMING



	GF1500LST	GF1500L	GF900L/ GF900C
A	1011	1095	1089
B	1545	1394	1127
C	516*	568	552
D	n/a	1225	1151
E	n/a	1460	1273
F	n/a	2065	1800

*Consult manual for additional information.

Optional framing kit available. See manual for details.



Combustible Requirements	GF1500LST	GF1500L	GF900L/ GF900C
A	1583	1432	1165
B	330	502	502
C	457	459	451
D	241	159	156
E	698	617	606
F	1028	1119	1108
G	158	83	83

REMOTE CONTROLS

RF (Radio Frequency) Remote Control is programmable up to 7 days a week. The remote can be operated from another room, automatically modulating the temperature of your Gas Fire, increasing efficiency and reducing running costs. It also allows you to set and maintain a desired temperature, as well as adjust the flame height and fan speed.



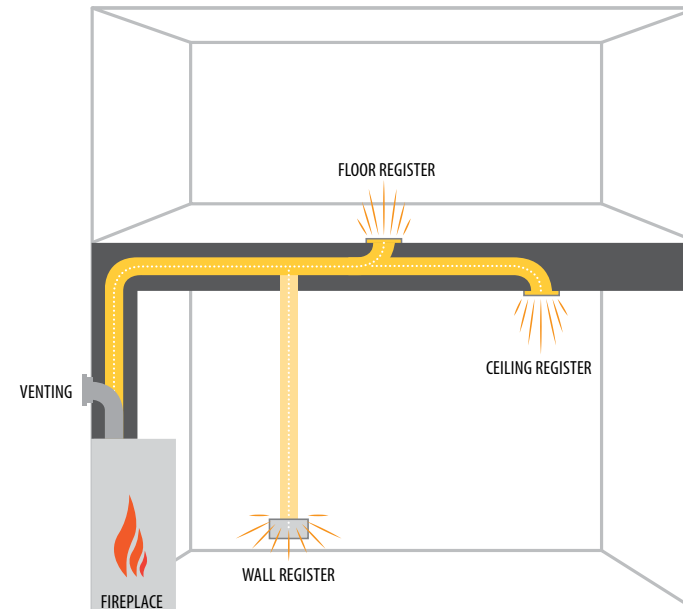
DIRECT VENT TECHNOLOGY

Direct Vent Technology is a fantastic innovation that maintains the total air quality of the home. It draws air from outside the home for combustion rather than warm room air.

This means greater heating efficiency because all the warm air stays in your room. Direct Vent fireplaces can be flued vertically or out through an external wall, making them ideal for multi-storey homes where conventional vertical flues are not practical.

HEAT DISTRIBUTION

Increase the effectiveness of your fireplace by dispersing warm air from the fireplace to remote locations in the same room or other rooms in your home by using the heat distribution kit.



Optional Heat Distribution Kit

1-2-3 INSTANT FIREPLACE



No chimney? No problem! The Regency Zero Clearance range enables you to have a gas log fire installed into a timber or steel framed/plasterboard “mock” chimney breast without the expense and effort of a purpose built brick chimney.

ENJOY YOUR REGENCY — FOR LIFE

You'll be happy with your Regency for years to come, our Limited Lifetime Warranty guarantees it. Not only have we invested in quality workmanship, the finest materials and durable heavy-duty construction but we have carefully selected a dealer network that is committed to your satisfaction. All Regency gas fires pass stringent Australian testing standards. We know that you will be as proud of your Regency as we are.

Limited Lifetime Warranty covers the following components: Combustion chamber, heat exchanger, burner tubes and glass (thermal breakage). Refer to owner's manual for details.

NOTE: All product specifications are subject to change without notice. Before installing refer to the relevant product manual for full and up to date information. Stainless steel inner panels will naturally change tone over time. Heating capabilities of units are affected by: drafts under doorways or through flooring, large glass areas not covered by heavy drapes, ceiling heights greater than 2.4m or cathedral type ceilings, poor or no insulation and geographical locations.



for your nearest dealer visit:
www.regency-fire.com.au
or call 1800 081 978

**Fireplace Products Australia
Pty Ltd.**

1 Conquest Way,
Hallam VIC 3803
Australia
Phone: +1800 081 978
Fax: +613 9799 7822
Email: sales@regency-fire.com.au

**Distributor WA
Air Group Australia**

28 Division St.
Welshpool WA 6106
Australia
Phone: +08 9350 2200

**Distributor NZ
Aber Holdings Ltd**

17 Mainstreet Place,
PO Box 10095, Te Rapa
Hamilton 3241
New Zealand
Phone: +64 7849 7585

your Regency dealer

***Disclaimer: Appearance of flames varies with installation and fuel type.
Star ratings vary based on flue type and configuration.***

©2017 FPI Fireplace Products International Ltd. Regency® and Greenfire™ are the registered and/or proprietary trademarks of FPI Fireplace Products International Ltd. All rights reserved. (02/17)
Part no. 944-295



Mixed Sources
Product group from well-managed
forests and other controlled sources
Cert no. SCS-COC-001161
www.fsc.org
© 1996 Forest Stewardship Council