



ProBuilder™ Series

Linear Gas Fireplaces



We are proud to announce the ProBuilder™ Series of gas fireplaces by Lopi. The ProBuilder™ series represents Lopi's entry level linear gas fireplace models. Available in 3 models of 42", 54" or 72" wide.

The ProBuilder™ range does not compromise on Lopi's renowned quality. The range is built with a heavy gauge 16-18 steel construction, and featuring a large viewing area through crystal clear tempered glass capturing a sleek linear style and beautiful flame presentation.

Each model is equipped as standard with a wall switch or an optional thermostat remote. The range also includes quiet variable twin blowers that can be independently operated from the flame and even be switched off completely.

3 Sizes Available



ProBuilder™ 42"
1067mm Wide



ProBuilder™ 54"
1372mm Wide



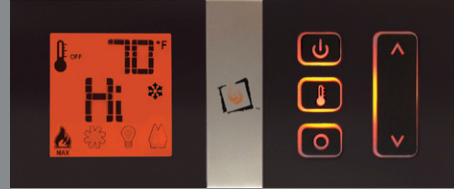
ProBuilder™ 72"
1829mm Wide

Features

- GreenSmart® Basic 2 (GSB2)
- Tempered glass viewing area
- Glass barrier screen is flush to wall
- Easy access gas controls
- Sleek linear style with beautiful flame presentation
- Heavy gauge 16-18 steel construction
- Can operate in a power outage
- Standard Wall Switch
- Quiet Dual 90 CFM Fans

Options

- Optional wall mounted GreenSmart® Basic Remote (*upgrade from wall switch*)
- Multiple media options
- Coloured Glass, Tumbled Stone or Traditional Log Media
- CoolSmart™ Wall - See reverse of brochure



ProBuilder™ 42



Viewing Area:	Heating Capacity	Mj Input (NG or LPG)	Media Options	Weight	Max Kw Output
1067mm x 380mm	Up to 100Sqm	25Mj (high)	Glass, Stone, Log	75 Kg	Horizontal 5.68 Vertical 4.62

ProBuilder™ 54



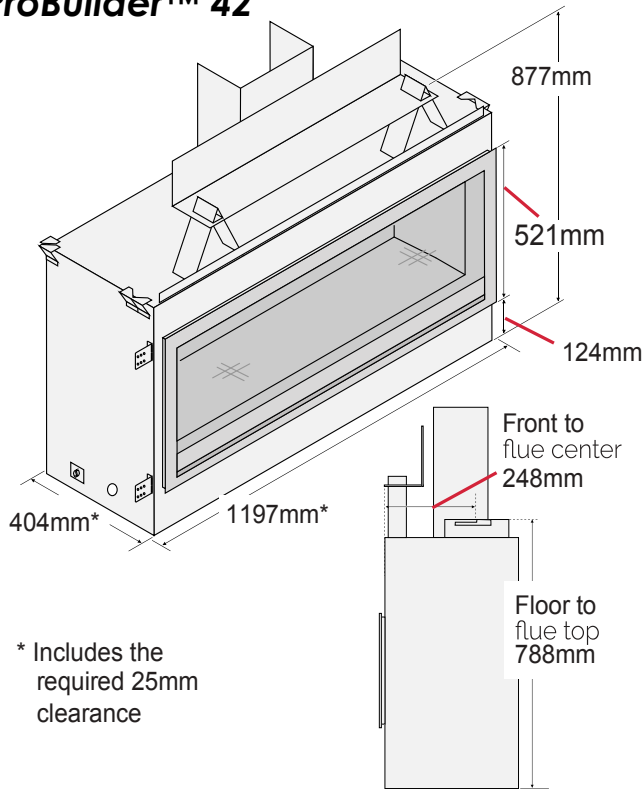
Viewing Area:	Heating Capacity	Mj Input (NG or LPG)	Media Options	Weight	Max Kw Output
1372mm x 380mm	Up to 150Sqm	33Mj (high)	Glass, Stone, Log	95Kg	Horizontal 6.55 Vertical 5.98

ProBuilder™ 72

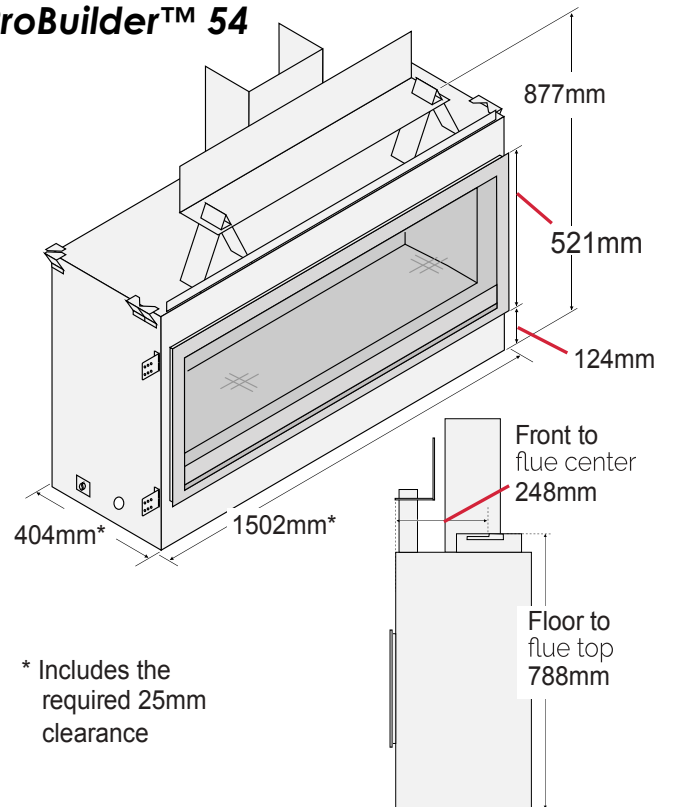


Viewing Area:	Heating Capacity	Mj Input (NG or LPG)	Media Options	Weight	Max Kw Output
1829mm x 380mm	Up to 200Sqm	45Mj (high)	Glass, Stone, Log	125Kg	Horizontal 8.83 Vertical 8.07

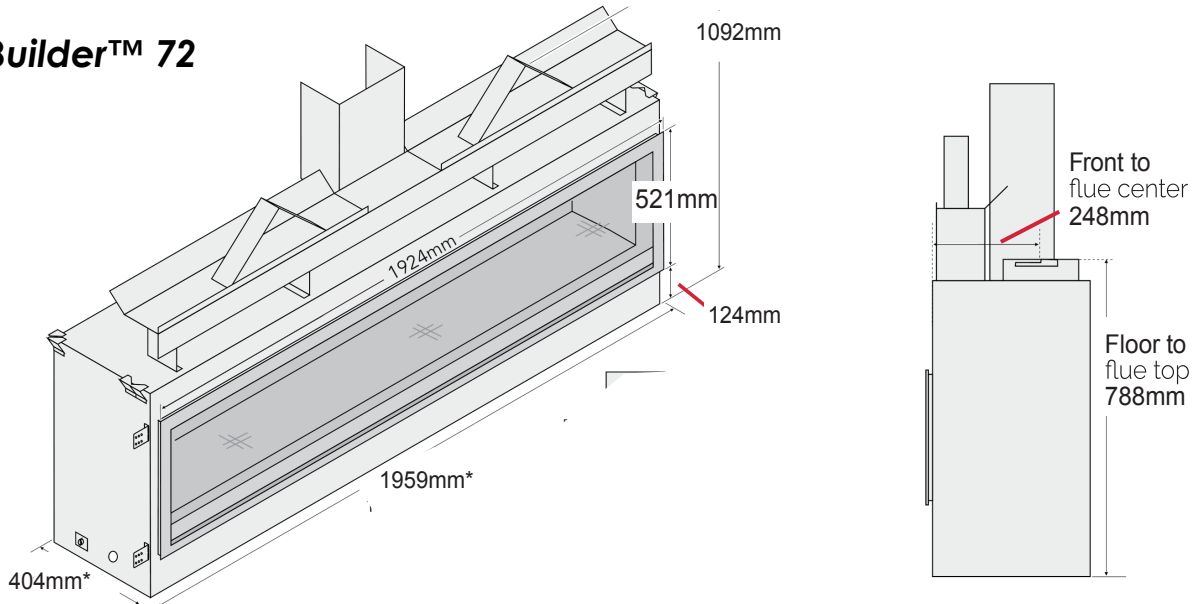
ProBuilder™ 42



ProBuilder™ 54

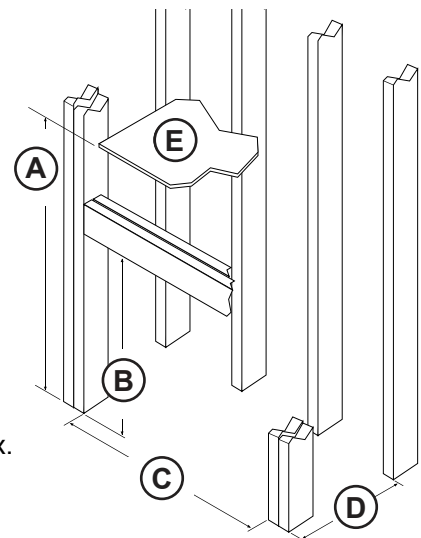


ProBuilder™ 72



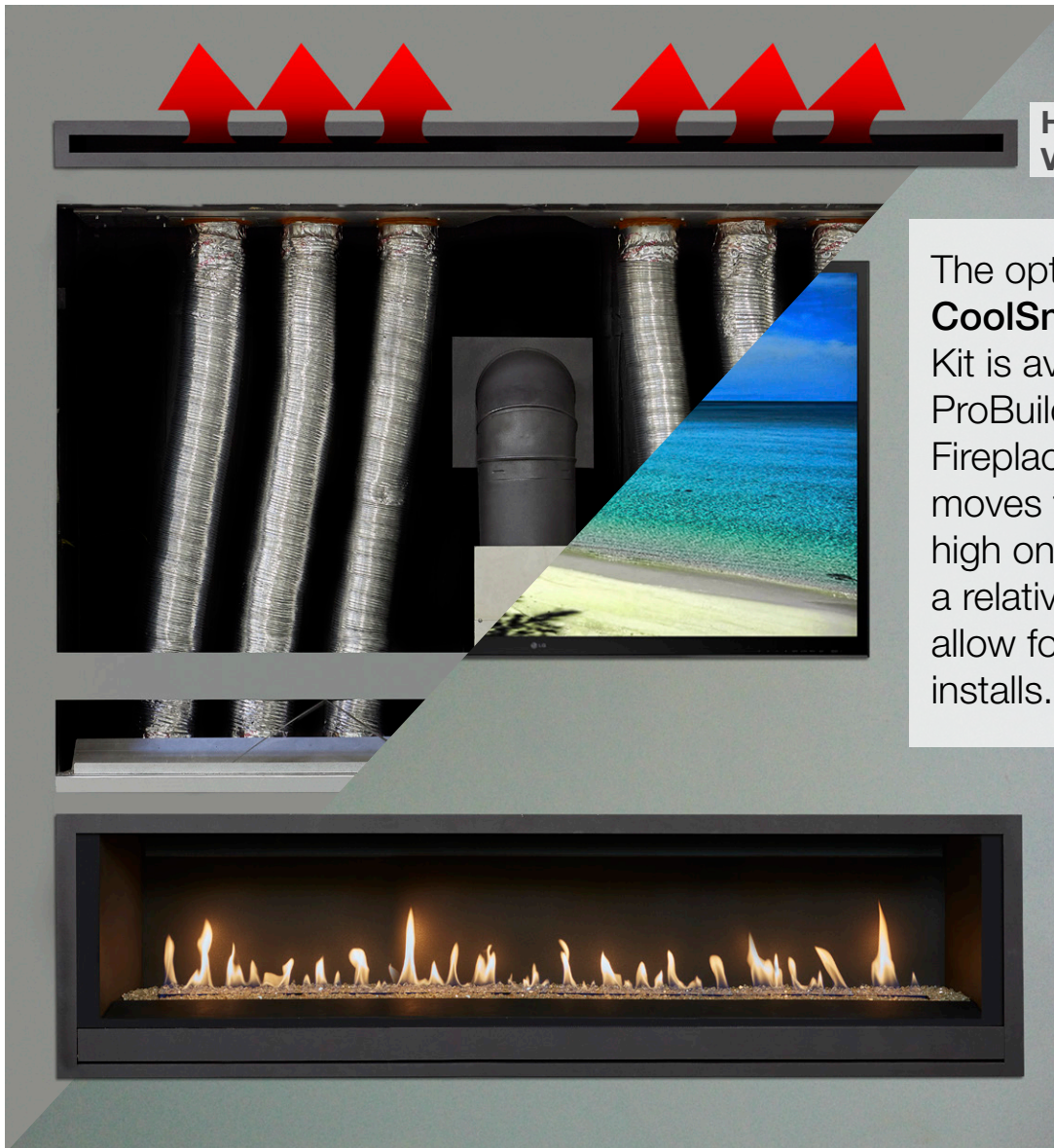
Framing Dimensions

	42	54	72
(A)	1150mm	1384mm	1727mm
(B)	877mm	877mm	1092mm
(C)	1197mm	1502mm	1959mm
(D)	404mm	404mm	404mm
(E)	The fireplace enclosure must be a min 1150mm tall	The fireplace enclosure must be a min 1384mm tall	The fireplace enclosure must be a min 1727mm tall



All Models require a 13mm clearance to the side and rear of the firebox. There is 0mm clearance to combustible side facing or walls

CoolSmart™ TV Wall



Heat
Vent

The optional **CoolSmart™** Wall Kit is available on all ProBuilder™ Linear Fireplaces, which moves the heat outlet high on the wall to create a relatively cool zone to allow for safe television installs.

The cool wall system is designed to redirect the convective heat of the ProBuilder fireplaces from the front of the unit, just above the glass, to a location higher on the wall.

The use of this kit allows for reduced clearance to combustibles and accommodates TV installations closer to the fireplace or in recessed cavities above the fireplace. If using this kit, disregard the framing dimensions in the appliance manual and follow the framing instructions included in this kit. All other installation requirements for the fireplace must be followed as detailed in the appliance installation manual.



ProBuilder™ Series
Linear Gas Fireplaces