



564 SS Grill Installation

SKU # 96200801, 96200803

Compatibility:

- 564 SS Fireplace

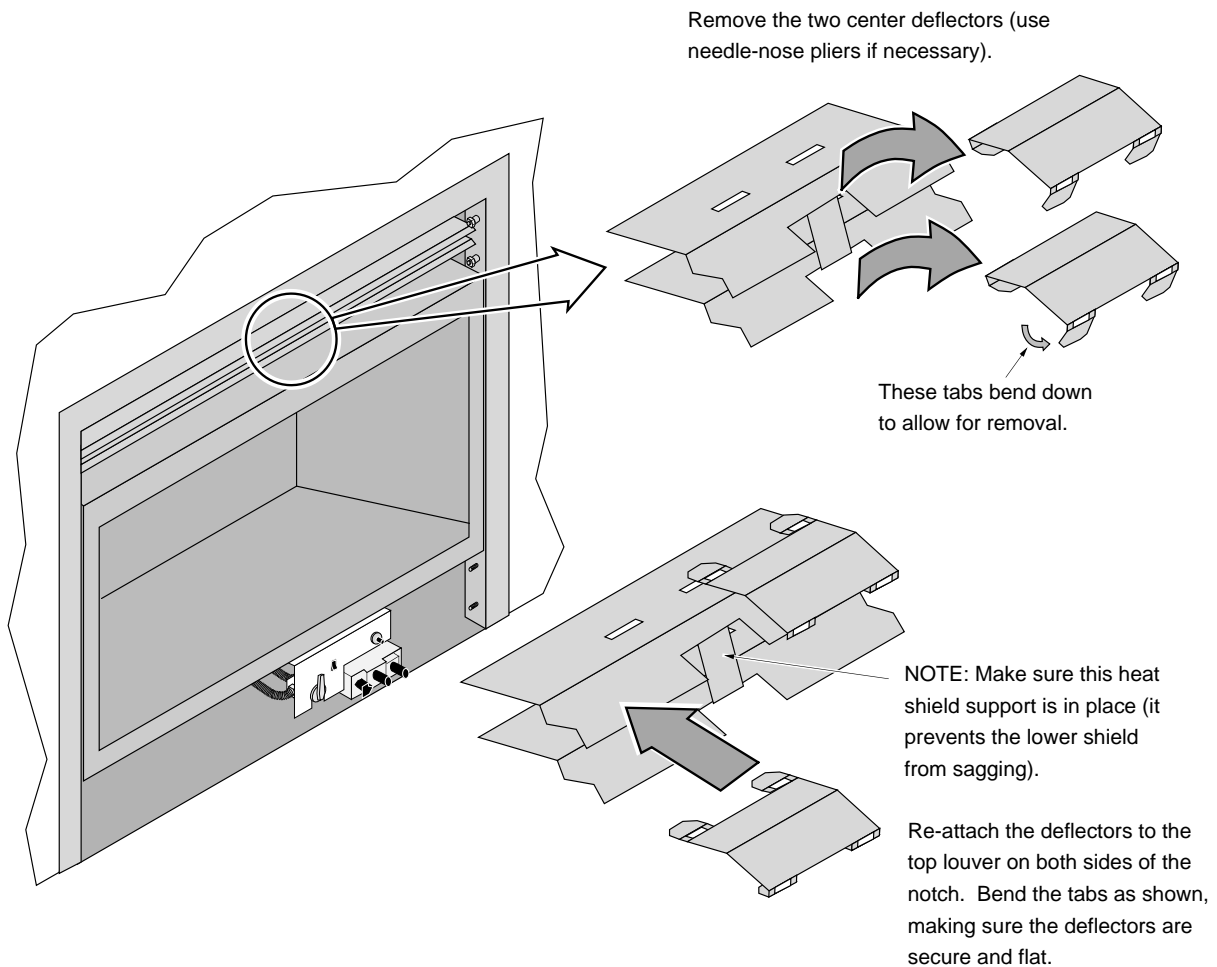
Packing List:

- Upper and Lower Grill

Installation:

NOTE: The glass frame should be in place before installing the grills.

- 1 The 564 SS will require some slight modifications to allow the upper grill to fit into place. Follow the directions below to re-position the center deflectors and verify the heat shield support.



The center deflectors must be in place if using an optional face to prevent the facing above the fireplace from becoming too hot. Make sure the deflectors are secured to the top louver (see the illustration above).



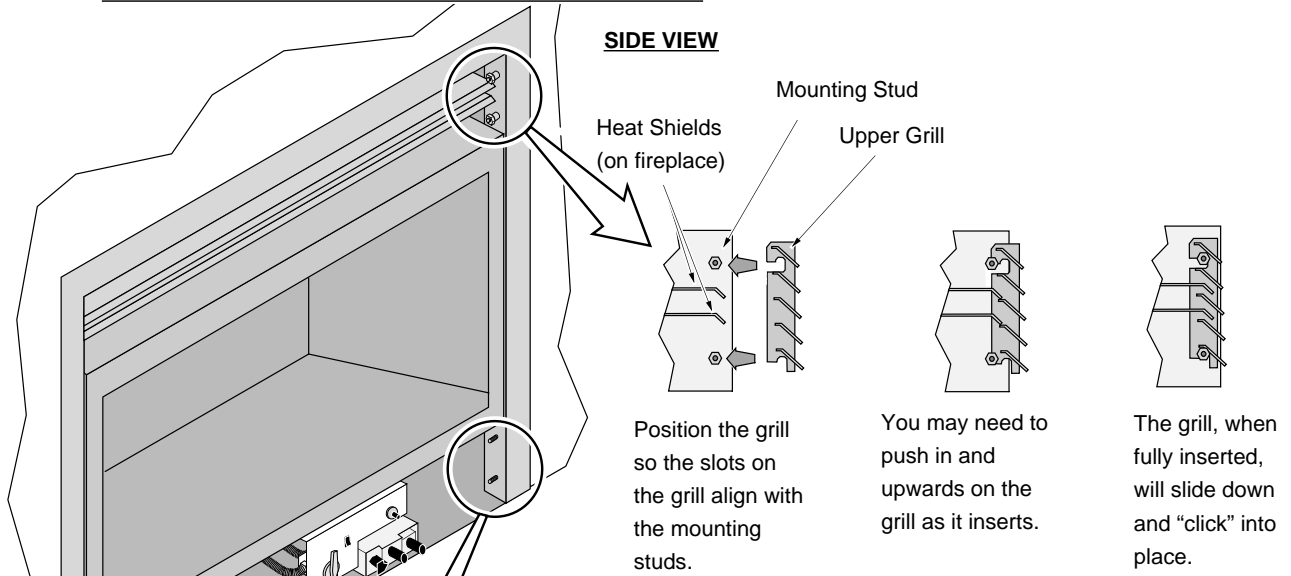
564 SS Grill Installation

SKU # 96200801, 96200803

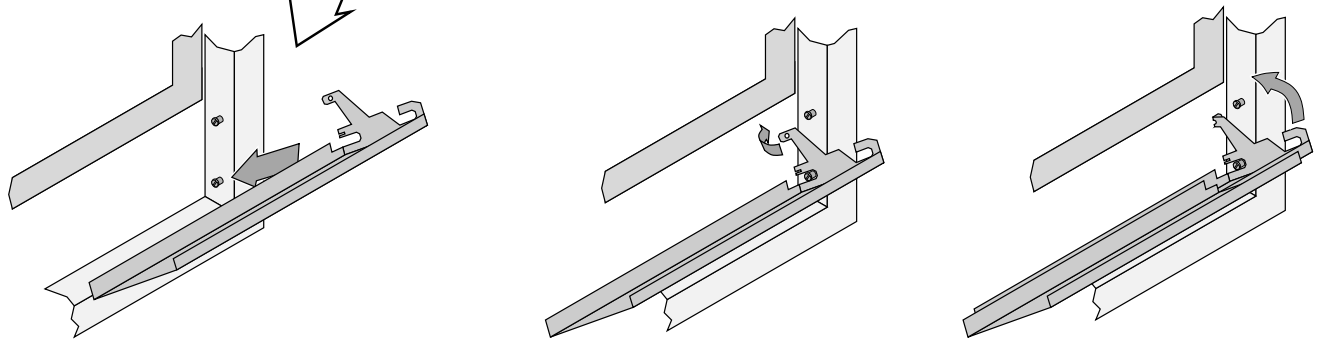
2 Follow the directions below to install the grills.

UPPER GRILL INSTALLATION

NOTE: The upper grill is difficult to install the first time - be patient, after you install it, you will know how it installs and it will be much easier the second time.



LOWER GRILL INSTALLATION



Hold the grill at an angle and insert the lower slot over the bushing on the fireplace (both sides). You may need to press on the grill to get the tab over the bushing (this prevents the grill from accidentally falling off).

Bend the tab over on both sides. This is the end-stop for the lower grill, it allows the grill to swing forward.

Swing the grill upwards to engage the upper slot. You will need to lift the grill slightly to get it over the bushing. Once in place the grill is held in place by gravity.



564 SS Grill Installation

SKU # 96200801, 96200803

NAMEPLATE INSTALLATION:

On certain models the nameplate is shipped loose. Attach the appropriate nameplate following the instructions below

