



Shadowbox Face (564) Installation Instructions

Satin 95400424

Nickel 95400423

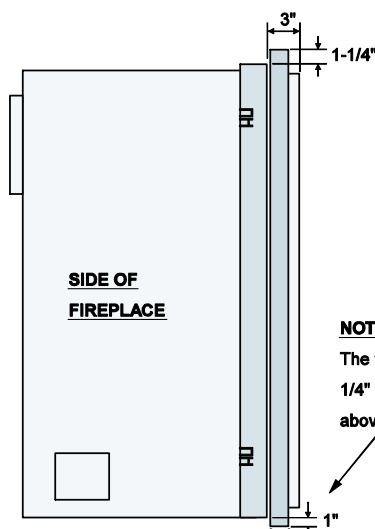
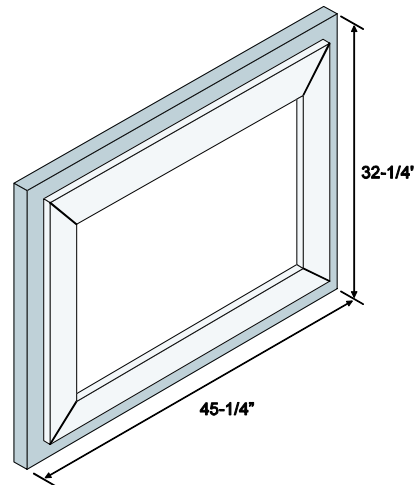
Packing List

- Face
- Bottom Shield
- (5) Screws (for bottom shield)
- (2) Face Mounting Brackets
- (6) Screws (for face mounting brackets)
- Switch Box Wire Harness
- Switch Box Assembly
- (2) Screws
- (2) Wire Hanger Clips
- Double-Back Tape
- Scotch-Brite™ Pad (for Nickel only)

Care and Cleaning of Brushed Aluminum

The brushed aluminum stains easily. **Wear clean gloves if handling the brushed aluminum inner frame.** If the brushed aluminum requires cleaning, use a soft cloth with glass cleaner. If the aluminum requires extensive cleaning, use the included scotch-brite™ to lightly brush the aluminum in a linear fashion with the grain. Use low-tack (blue) masking tape along the corners to prevent brushing against the grain.

Face Details



NOTE:

The face requires 1" below the base of the fireplace (3/4" for the face, 1/4" for air ventilation). The fireplace must be raised a minimum 1" above the hearth to accommodate this face.

NOTE:

Allow an additional 1" gap below the face when using the switch box (2" below the base of the fireplace - see below for switch box explanation).



Switch Box Installation

This face does not have a door to allow access to the controls. The installer must install one of two options:

- a) Install a GreenSmart™ remote control (switch box not required).

NOTE: You may wish to install the switch box with the GreenSmart™ remote to allow the accent light rheostat to be placed in an accessible location under the face. This allows the homeowner to adjust accent light brightness without removing the face.

- b) Install the switch box included with this face. The switch box positions the controls in an accessible location under the face.

To install the switch box, follow the instructions below.

- 1 Disconnect power to the fireplace (use circuit breaker if necessary). Remove the concealment cover from the fireplace (it lifts up and off the mounting brackets – see owner's manual). Remove the four screws securing the control panel to allow access to the wiring. Carefully press on the back side of the on/off switch to disconnect it from the control panel (you may wish to disconnect the small plate on the control panel for better access). Disconnect the on/off switch wires (see Figure 1).



Figure 1

- 2 Pull the knob off the accent light rheostat. Unscrew the rheostat nut to remove the rheostat from the control panel. Disconnect the two wires leading to this rheostat (see Figure 2).

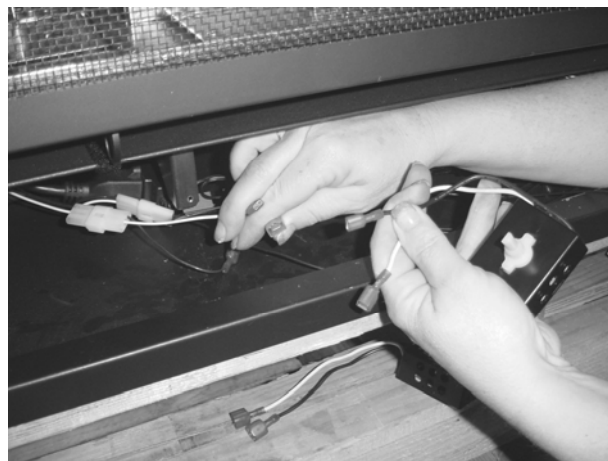


Figure 2



Shadowbox Face (564) Installation Instructions

Satin 95400424

Nickel 95400423

- 3 If using an optional blower, remove the blower rheostat (see step 2 above for rheostat removal).
NOTE: The blower rheostat and accent light rheostat use different connectors. Label the rheostats, if necessary, to insure correct orientation.
- 4 Connect the wires labeled ON/OFF on the Switch Box wiring harness to the on/off wires on the fireplace (see Figure 3).
NOTE: The wire harness has unique ends. Make sure to use the correct end.

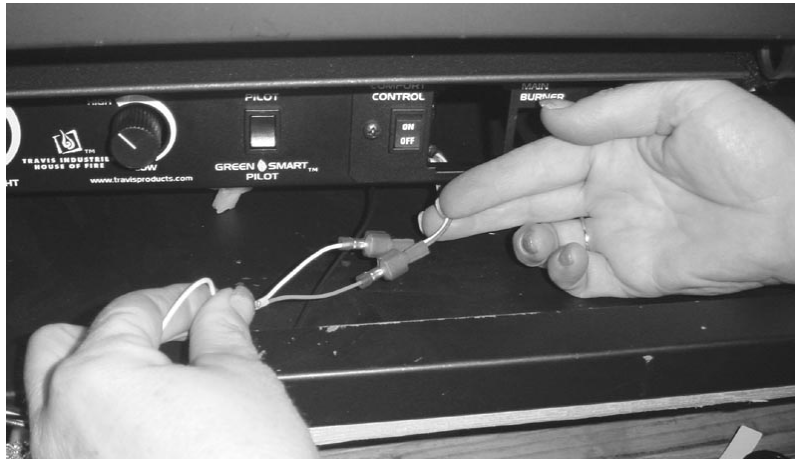


Figure 3

- 5 Connect the wires labeled LIGHT CONTROL on the Switch Box wiring harness to the accent light wires on the fireplace (see Figure 4). If using an optional blower, connect wires labeled FAN CONTROL on the Switch Box wiring harness to the blower wires on the fireplace.

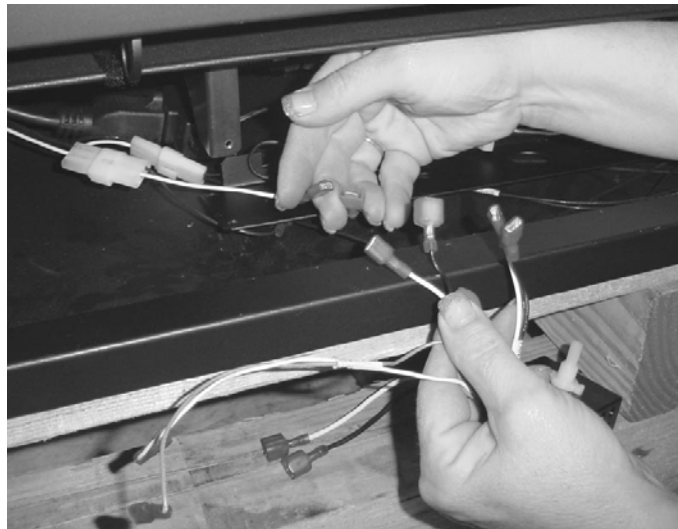


Figure 4



Shadowbox Face (564) Installation Instructions

Satin 95400424

Nickel 95400423

- 6 Route the switch box wiring harness around the right side support leg (see Figure 5).

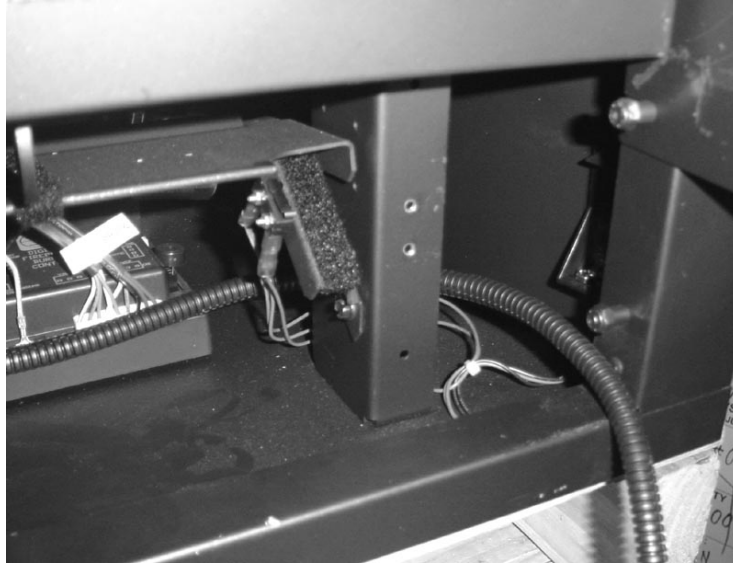


Figure 5

- 7 Press the wire hanger clips into the switch box (see the two white arrows in Figure 6). Attach the switch box to the right side support leg with the two included screws (see circle in Figure 6).



Figure 6



Shadowbox Face (564) Installation Instructions

Satin 95400424

Nickel 95400423

- 8 Press the on/off switch into the switch box (wire orientation does not matter). Attach the accent light rheostat to the right side mounting position on the switch box and replace knob. Install the blower rheostat (if applicable). Connect the wiring to the components (see Figure 7). Route the wires through the wire hanger clips on the back side of the switch box.



Figure 7

- 9 Attach the double-back tape to the back left side of the switch box (see Figure 8). This secures the switch box to the fireplace and prevents it from vibrating.

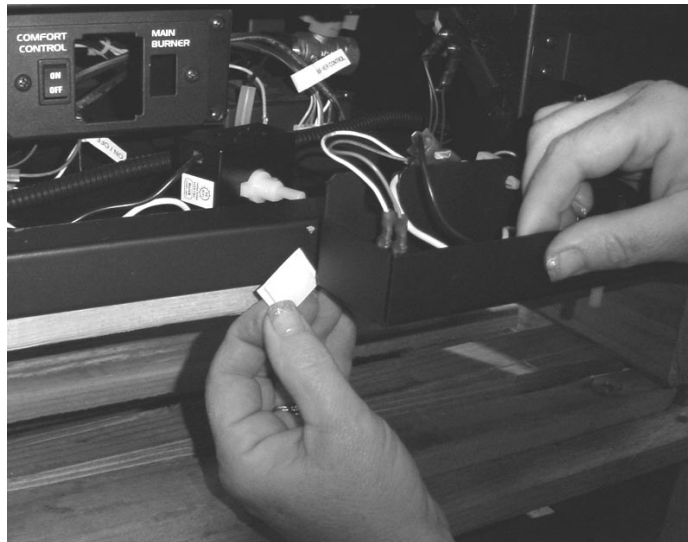


Figure 8

- 10 Make sure all wiring is properly routed and does not contact any hot or moving components. Replace the control panel, and concealment cover to complete installation of the switch box.



Face Installation

- 1 Remove the glass frame (see owner's manual for details). Remove the two mounting bracket nuts and bushings (see "a" Figure 9). Use the included screws to attach the face mounting brackets (see "b" Figure 9). Replace the nuts removed earlier (without bushings) to further secure the brackets.

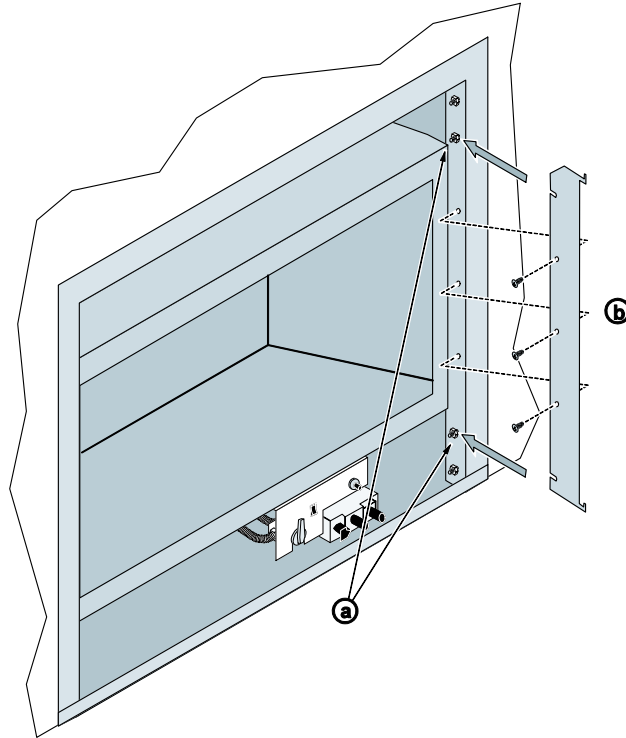


Figure 9

- 2 The bottom shield must be mounted to the face prior to installation. Pre-thread the five holes on the back side of the face (use one or more of the 8-32 x 5/8" Swaged Screws - see Figure 10). Attach the bottom shield to the face with the five 8-32 screws (see Figure 11).

Special Instructions for Brushed Aluminum

Make sure to handle the brushed aluminum with gloves to prevent staining.

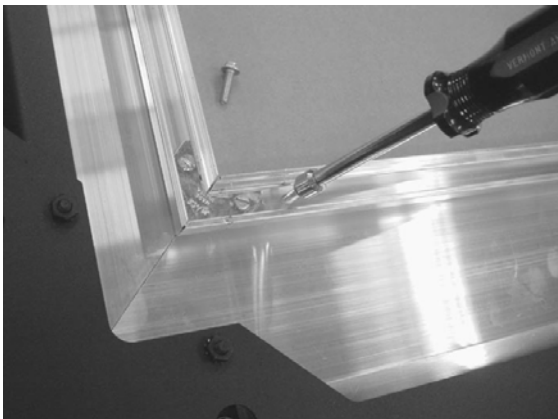


Figure 10

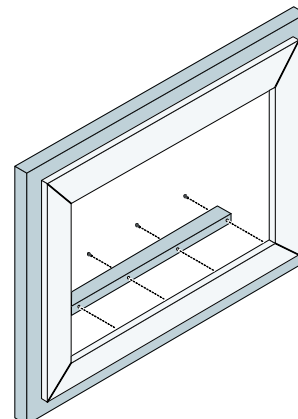


Figure 11



Shadowbox Face (564) Installation Instructions

Satin 95400424

Nickel 95400423

- 3 Replace the glass frame. With the face centered on the fireplace, lift the face up and hang it on the upper hooks on the face mounting brackets (see Figure 12).
- 4 With the face centered, lift up on it slightly while pushing the bottom inwards (see Figure 13). The face should engage the lower hooks and slide down, secure in place.

Special Instructions for Brushed Aluminum

Make sure to handle the brushed aluminum with gloves to prevent staining.



Figure 12



Figure 13



Shadowbox Face (564) Installation Instructions

Satin 95400424

Nickel 95400423

- 5 Check the corners of the face opening to make sure the face is properly aligned left to right (see Figure 14). The face may be adjusted slightly to insure correct alignment.



Figure 14

- 6 A low-tack label is applied on the lower right edge of the face for the switch box controls (see Figure 15). This label may be removed if not desired or using a remote.



Figure 15