

Masport[®] Heating

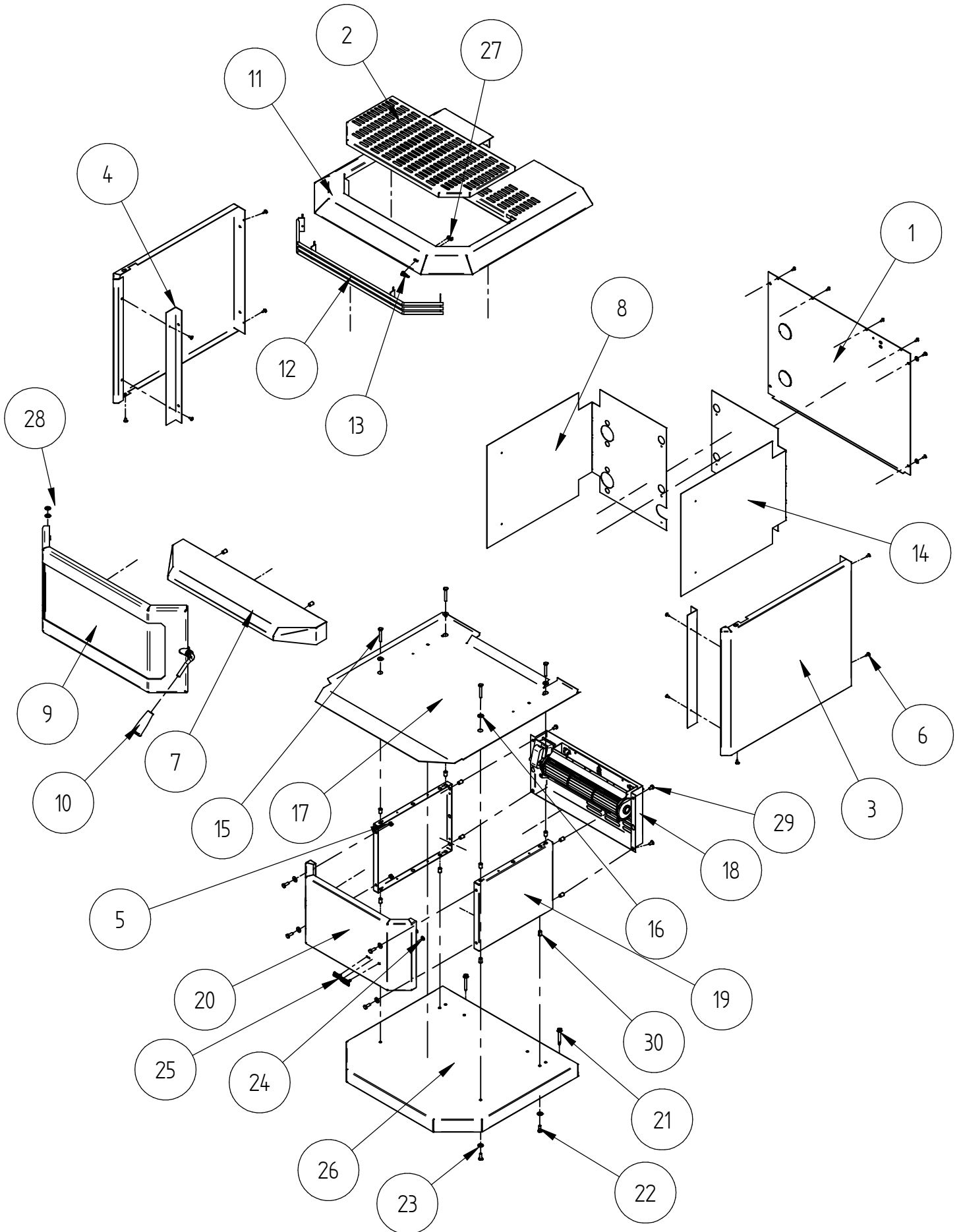
FREESTANDING WOOD FIRES

ATLANTA CLEAN AIR HW

Item No.	MARKET	FUEL TYPE	FINISH	YEAR	FAN
ATNCHWBK*	AU	HARDWOOD	Matte Black Enamel	Jan-2008	Optional
992914				Oct-2010	
992918				Jan-2011	Yes

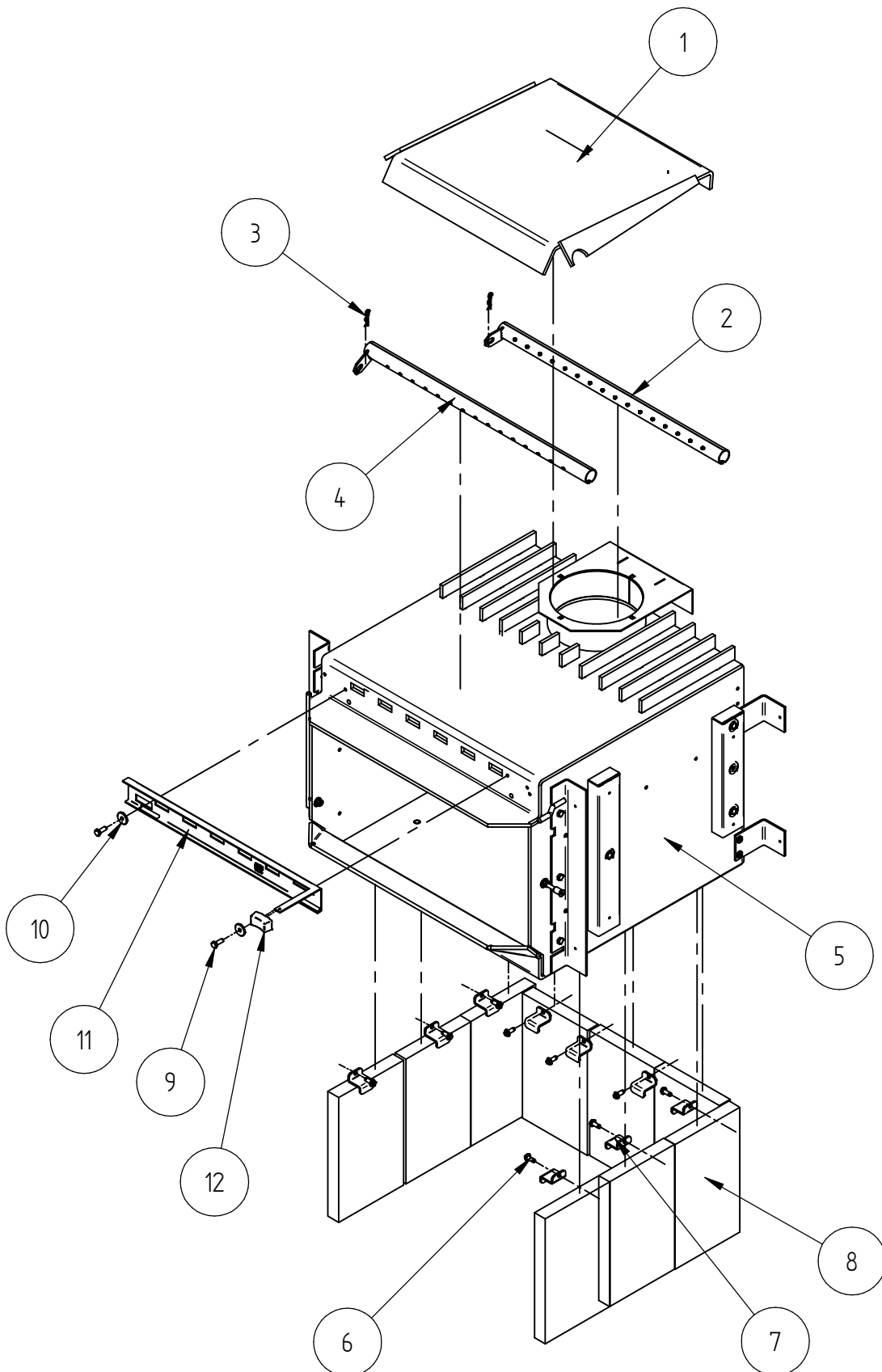
*LOGAIRE BRAND





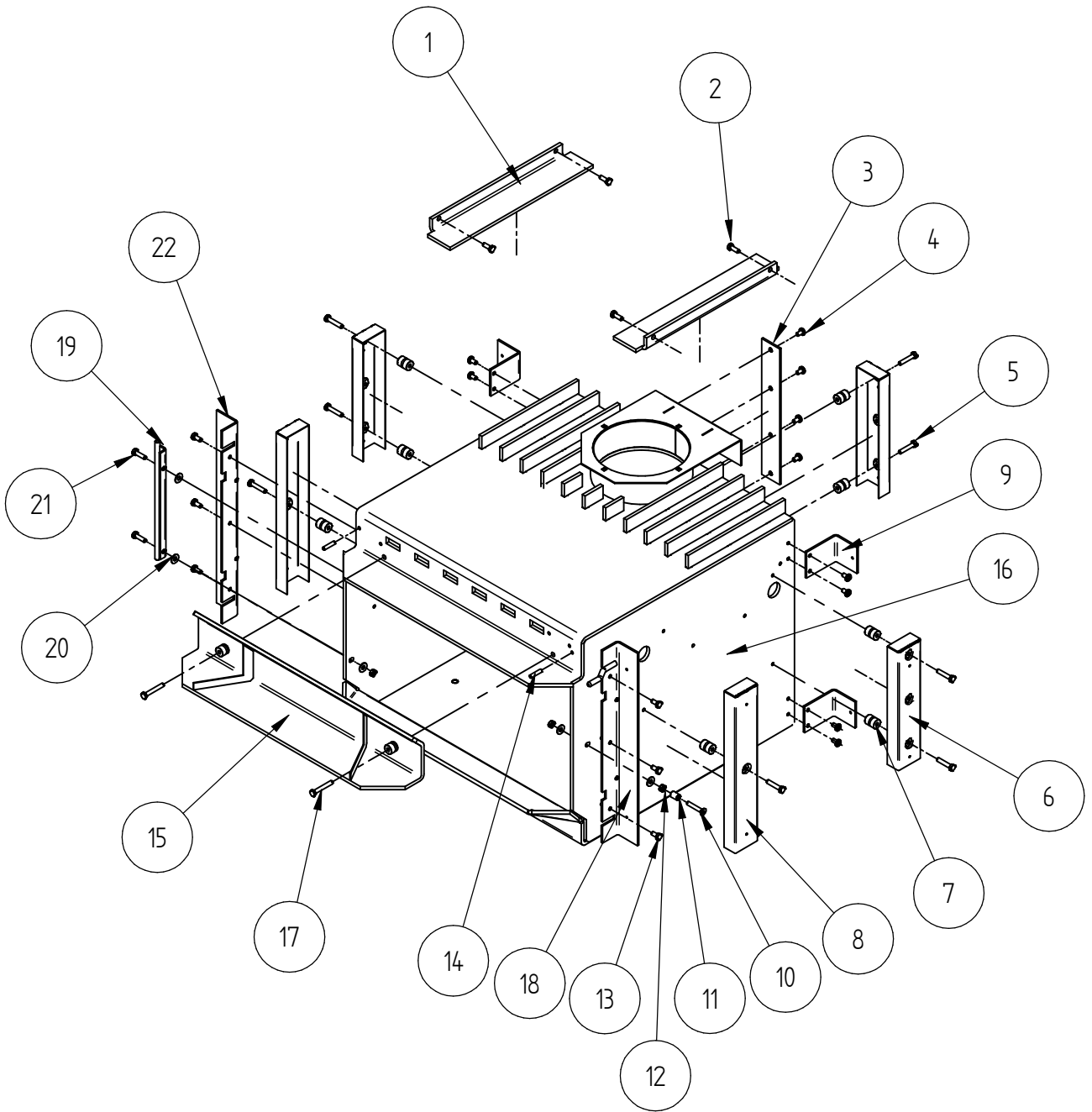
PANELS, DOOR AND PEDESTAL					
ITEM	Part ID	Models		Descriptions	Qty
		ATNCHWBK & 992914	992918		
1	ATN00012	-	-	ATN REAR HEAT SHIELD	1
2	ATN00003	E01	E01	ATN TOP GRILL PANEL	1
3	ATN00006	E01	E01	ATN SIDE PANEL	2
4	ATN00009	V02	V02	ATN SIDE PANEL ANGLE	2
5	522117	-	-	NUT, HEX STD M6 ZP	10
6	521645	-	-	SCREW, S/T 8GX1/2" MUSH FLANGE POZI BLK	22
7	HBAAC011	E01	E01	HBA ASH SHELF ASSEMBLY	1
8	ATN00039	-	-	ATN L/H INNER HEAT SHIELD	1
9	ATNAC730	E01	E01	ATN FINISHED DOOR ASSEMBLY	1
10	MIC00376	-	-	MIC DOOR HANDLE	1
11	ATNAC001	E01	E01	ATN TOP PANEL COMPLETE ASSEMBLY	1
12	HBAAC017	-	-	HBA LOUVRE ASSEMBLY	1
13	MIC00744	-	-	MIC HILO BADGE	1
14	ATN00040	-	-	ATN R/H INNER HEAT SHIELD	1
15	521077	-	-	SCREW, M6X40 HEX ZP	6
16	523036	-	-	WASHER, FLAT 1/4"X5/8" BLK	18
17	ATN00176	-	-	ATN BASE HEAT SHIELD	1
18	ATN00181	-NA-	P02	FAN ASSEMBLY COMP FERGAS ATLANTA	1
18*	FANAC002	-NA-	-NA-	ATLANTA CONVECTION FAN DECK (AFMC)	1
18**	ATN00180	-NA-	P02	FAN ASSEMBLY COMPL ATLANTA (FERGAS)	1
19	ATN00178	E01	E01	ATN PEDESTAL SIDES	2
20	ATN00177	E01	E01	ATN PEDESTAL FRONT	1
21	521610	-	-	SCREW, S/T 14GX50 HEX FLANGE ZP TIMBERTITE	2
22	521076	-	-	SCREW, M6X16 HEX ZP	16
23	524011	-	-	RIVET, 73 MS 5-3	2
24	526009	-	-	CLIP, STARLOCK M4	2
25	587835	-	-	BADGE MASPORT HEATING	1
26	ATN00025	E01	E01	ATN PEDESTAL BASE	1
27	526008	-	-	CLIP, STARLOCK M3	2
28	523018	-	-	WASHER, FLAT 5/16"X5/8" BLK	2
29	521045	-	-	SCREW, M6X10 PAN POZI BLK	14
30	522611	-	-	NUT, RIVNUT THN/SHT M6X13.5	14

AIRSLIDE, BAFFLE, BRICKS AND FIREBOX



AIRSLIDE, BAFFLE, BRICKS AND FIREBOX					
ITEM	Part ID	Models		Descriptions	Qty
		ATNCHWBK & 992914	992918		
1	ATNCAC109	-	-	ATNC BAFFLE PLATE	1
2	ATNC00136	-	-	ATNC REAR AIR BAR ASSEMBLY	1
3	526101	-	-	CLIP, R-CLIP 1.8 DIA ST	2
4	ATNC00138	-	-	ATNC FRONT AIR BAR COMPLETE	1
5	ATNAC004	-	-	ATN FIREBOX ASSEMBLY	1
6	521632	-	-	SCREW, S/T M6X15 HEX FLANGE NIC TAPTITE	9
7	HBA00118	-	-	HBA BRICK RETAINER	9
8	MIC00354	-	-	MIC BRICK	9
9	521076	-	-	SCREW, M6X16 HEX ZP	16
10	MIC00083BK	-	-	LOGAIRE METRO AIR SLIDE SPACER	2
11	ATNCHW036	-	-	ATNCHW AIR SLIDE	1
12	MIC00375	-	-	MIC AIR SLIDE HANDLE	1

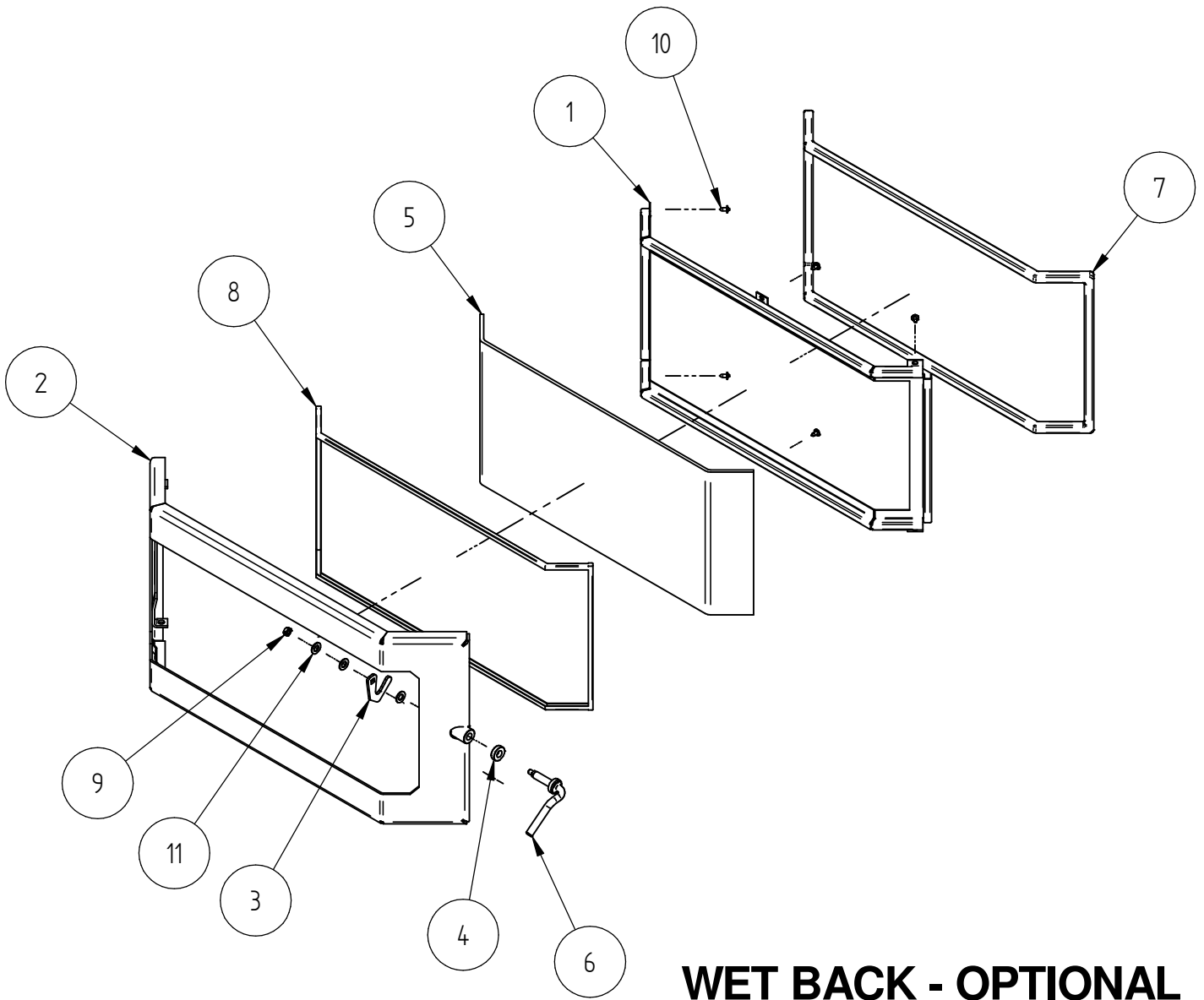
FIREBOX DETAILS



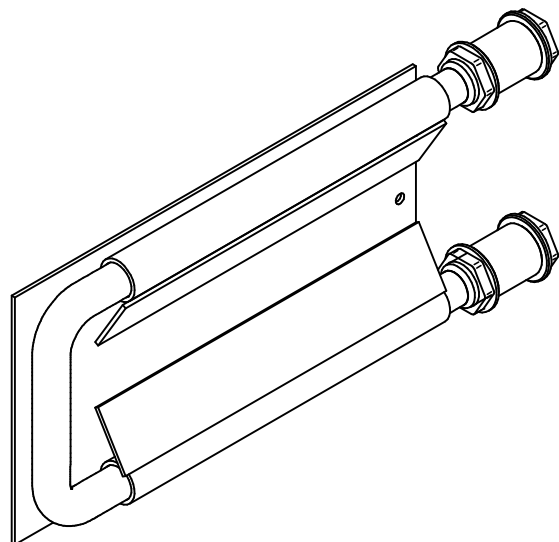
FIREBOX DETAILS

ITEM	Part ID	Models		Descriptions	Qty
		ATNCHWBK & 992914	992918		
1	AIB00116	-	-	AIB BAFFLE SUPPORT	2
2	521076	-	-	SCREW, M6X12 HEX ZP	16
3	MIC00135	-	-	MIC WET BACK COVER PLATE	1
4	521045	-	-	SCREW, M6X10 PAN POZI BLK	14
5	521059	-	-	SCREW, M6X30 HEX ZP	8
6	HCA00164	-	-	HCA SEC AIR CHANNEL	3
7	HBA00129	-	-	HBA AIR DEFLECTOR SPACER	8
8	MIC00123	-	-	MIC SEC AIR CHANNEL	2
9	ATN00130	-	-	ATN BODY MOUNT BRACKET	4
10	521814	-	-	SCREW, CAP M6X35 CSK ALLEN BLK	1
11	ATN00079BK	-	-	ATN DOOR CATCH PIN	1
12	522117	-	-	NUT, HEX STD M6 ZP	10
13	521075	-	-	SCREW, M6X12 HEX ZP	6
14	525003	-	-	PIN, TENSION 5X24 BLK	2
15	HBAAC102	-	-	HBA AIR DEFLECTOR COMPLETE	1
16	ATNAC004	-	-	ATN FIREBOX ASSEMBLY	1
17	521077	-	-	SCREW, M6X40 HEX ZP	6
18	ATNAC183	-	-	ATN STIFFENER & GUIDE SUB	1
19	ATNAC190	-	-	ATN HINGE PLATE ASSEMBLY	1
20	523036	-	-	WASHER, FLAT 1/4"X5/8" BLK	18
21	521054	-	-	SCREW, M6X20 HEX ZP	2
22	ATN00183	-	-	ATN DOOR RIDDLE STIFFENER	1

DOOR ASSEMBLY



WET BACK - OPTIONAL



DOOR ASSEMBLY – ATNAC730 (E01)					
ITEM	Part ID	Models		Descriptions	Qty
		ATNCHWBK & 992914	992918		
1	ATN00034	-	-	ATN GLASS RETAINER	1
2	HBAAC030	E01	E01	HBA DOOR FRAME COMPLETE	1
3	ATN00133	-	-	ATN DOOR LATCH PLATE	1
4	ATN00076	-	-	ATN SPINDLE BUSH/SPACER	1
5	ATN00204	-	-	ATN GLASS	1
6	ATN00373BK	-	-	ATN DOOR SPINDLE	1
7	C16MMDR	-	-	DOOR ROPE 16MM X 50M ROLL (MTR)	1
8	C25MMLT	-	-	LADDER TAPE 25x3x50m ROLL (MTR)	1
9	522117	-	-	NUT, HEX STD M6 ZP	1
10	521627	-	-	SCREW, S/T 8GX3/8" MUSH FLANGE POZI BLK	6
11	523018	-	-	WASHER, FLAT 5/16"X5/8" BLK	4
12*	ATN99204	-	-	ATN 1999 GLASS & TAPE	-
13*	ATNACDH	-	-	ATN DOOR HANDLE ASSEMBLY KIT	-
14*	ATMCWHW	-	-	WET BACK KIT AVAILABLE (OPTIONAL)	-

*Optional Sale Kit

NOT ILLUSTRATED					
Item	Part ID	Models		Descriptions	Qty
		ATNCHWBK & 992914	992918		
1	ATNCHWBRICK	-	-	INSTRUCTION - BRICK LAYOUT	1
2	593286	-	-	OWNER MANUAL WOODFIRES	1
3	593287	-	-	INSTALL MANUAL WOODFIRES	1
4	ATNM0738	-	-	ATN & ATNCHW DATA SHEET	1
5	594797	-	-	INSTRUCTION ATLANTA PED/FAN ASSY	1

SURFACE FINISH CODES FOR PANELS					
VITREOUS ENAMEL		VHT PAINT(Very High Temp)		POWDER COAT	
E01	MATT BLACK	V02	METALLIC BLACK	P02	MATT BLACK
E02	GLOSS BLACK	V03	CHARCOAL	P03	CHARCOAL
E03	CHARCOAL	V04	TITANIUM	P05	SATIN BLACK
		V05	CHARCOAL (DAM MET BLK)	P09	METTALIC BLACK
		V06	METALLIC BLACK ZINC		