



Serious Barbecues

**An Aussie
icon in your
backyard**

Outdoor Kitchens

What a beauty!

The inside story

A truly great barbecue is as beautiful on the inside as it is on the outside. Here's a taste of what goes into making a BeefEater barbecue so brilliant.



RF Technology® Rust Free Cooktops

Kiss rusty cooktops goodbye. Ours are made from porcelain enamel coated cast-iron, one of the toughest coatings available. Solid stainless steel cooktops are also an option.



Vaporizer® Grid & Reflector System with Anti-Flare Technology

Patent pending anti-flare technology reduces annoying flare up and heat loss for faster cooking and superior fuel economy.

Infrared Radiant Burner

Our unique, patented radiant burner delivers high intense uniform heat with low flare-up. It's commercial quality and a real flavour enhancer. Solid cast stainless steel burners are also an option.



Signature Series Stainless Steel Lifetime Warranty

Our quality 304 grade stainless steel construction and components come with a lifetime warranty. It's corrosion resistant, hygienic and easy to maintain.



Signature Series Porcelain Enamel 10 year Warranty

Hygienic, durable, scratch and scorch resistant – porcelain enamel is one of the toughest easy-care finishes for outdoor appliances.



Integrated Convection Roasting Hood

In porcelain enamel or stainless steel. It's juicy-cooking. Removable. And has an on-board temperature gauge and warming rack.

High Output Side Burner

Ideal for whipping up tasty stir-fries, sauces, or steaming. Heat output 21 MJ/hr. 19900 BTU.



Integrated Quartz Start[®] Ignition

Our innovative titanium-coated system ensures long life and trouble free starting. No fiddly batteries or buttons.

Signature Series model shown for illustrative purposes only

Australian Design Award



Winner of an Australian Design Award.

5 YEAR

Discovery Series 5 Year Stainless Steel Warranty

Discovery barbecues are covered by a no-nonsense 5 year limited warranty on the stainless steel finish, with a full warranty plan on all other components.

5 YEAR

Discovery Series 5 Year Porcelain Enamel Warranty

Discovery barbecues are covered by a no-nonsense 5 year limited warranty.



Features without a symbol are optional extras.

The ultimate outdoor kitchen

Signature Series. Full on, mate!

This is where we took our idea of a great barbecue, and made it bigger. A lot bigger! This is BeefEater's Outdoor Kitchen Centre. You might want to hold the brochure a little further back, just to take it all in. Amazing, isn't it?

Ahead of its time, this exceptional entertainer is the work of two iconic Australian companies. BeefEater, in barbecues and St. George Appliances, for fine kitchen appliances. It's pure Aussie ingenuity at work.



*Bench tops available may vary from the one shown.

The great outdoors has just become greater!

A BeefEater outdoor kitchen will make your backyard look like a fancy resort. Imagine breakfast by the pool, dinner under the stars with the missus, or simply firing up a few steaks with some mates. If this sounds good to you then check out the stylish BeefEater Signature Series – it's true blue Aussie brilliance!

With the stunning BeefEater Signature Series, you can pretty much prepare any dish you like. From mouth watering roasts to top class steaks, it's an entertainer's dream!



Only available with
2 and 4 burner barbecues.

TASTE OF



AUSTRALIA



**Outdoor
entertaining
at its best!**

We've got burners, cabinets, storage, drawers, fridges, sinks and more!

Up here in ultimate outdoor kitchen land is where our "build your own" philosophy really comes into its own. There's so much to play with. Fancy a four burner module? Maybe a two burner will do.

Need somewhere to house a fridge? Got that. How about space for a wine chiller? Or a home entertainment system? Got it. Left or right hand opening doors? Got that too.

The solid, integrated, modular construction also means it's quick and easy to install... which means you'll be cooking in no time.

You can start small.

Start your outdoor kitchen with one of BeefEater's 2 or 4 burner S3000s built-in barbecue units. With a stainless steel convection roasting hood and an optional viewing window, it's the perfect start.



Then throw in the kitchen sink.



Add a bar fridge, or two.

The perfect combo. Keep your bar fridge, barbecue utensils or even a dishwasher neatly hidden away inside our matching silver powder-coated cabinet modules with anodised aluminium easy touch handles. Add as many as you need.



How 'bout a few extra drawers here, a cabinet there.

Configure your BeefEater outdoor kitchen however you like. Add a high output stainless steel side burner or a second barbecue, even a modular sink unit for convenience. The choice is yours with BeefEater outdoor kitchen modules.



Modules pictured above with optional granite bench top
For outdoor use only



Build your own mate

Signature® Built-in Series

Imagine your choice of barbecue, built in to your own luxury outdoor entertainment centre. It will open your eyes to a whole new world of seriously tasty outdoor cooking. So go on, live the Australian dream!



Signature® SL4000s 5 burner

Available in powerful 4 or 5 burner options to cater to the most demanding backyard entertaining assignment. Featuring a handy internal light, stainless steel cooktops, an integrated side burner and our Innovative On Board Safety Technology.



See page 02-03 for icon definitions
Available in 4 & 5 burners

Innovative On Board Safety Technology. Each burner has a blue safety LED which remains lit while the gas is on. You'll never accidentally leave your barbecue on.



Signature® S3000s 5 burner

Not just built-in, but built to last. This one's perfect in stainless steel.



See page 02-03 for icon definitions
Available in 2, 3, 4 & 5 burners



Signature® S3000s 4 burner

Who'd want to hide this beauty away in the shed? This 4 burner is designed to be put on show and built to last.



See page 02-03 for icon definitions
Available in 2, 3, 4 & 5 burners



A great allrounder

Signature® S3000e Built-in Series

Rugged? Certainly. Handsome? Many think so. Made from sparkling stainless steel and durable porcelain enamel, these barbecues are an entertainer's dream.



Signature® S3000e 5 burner

Like to watch? Then you'll love the handy viewing window on this durable porcelain enamel hood.



    See page 02-03 for icon definitions
Available in 3, 4 & 5 burners



Signature® S3000e 4 burner

Built-in brilliance means you're the boss. This 4 burner ripper delivers great performance whilst adding value to your outdoor entertaining area.

    See page 02-03 for icon definitions
Available in 3, 4 & 5 burners



Signature® S3000e 3 burner

When you need to throw a shindig, this barbecue is for you mate. Create your own setting and add a little luxury to your home.

    See page 02-03 for icon definitions
Available in 3, 4 & 5 burners

**Now this is
the great
outdoors!**



**Discovery 1100e
Modular Outdoor Kitchen.**

Imagine having the kitchen outdoors. Cooking, eating and cleaning up in the fresh air. If this is your idea of heaven this is the barbecue for you, the ultimate outdoor kitchen. Made from weather and heat resistant powder coated steel, it's the barbecue with the lot. Available as a 3, 4 or 5 burner barbecue that can be put together almost any way you like. Add drawers, cabinets, extra burners, barbecues and a sink. This beauty also comes with adjustable feet.



Available in 3, 4 and 5 burner options. Pictured with additional components.



Discovery 1100e
Outdoor Kitchen
4 Burner



Powder Coated
Cabinet with
Side Burner



Powder Coated
Cabinet -
No Drawer



Powder Coated
Cabinet
with Drawer



Powder Coated
Cabinet
with Sink

*All cabinet doors are reversible

Precious metal in your own backyard



**Discovery 1100s
Modular Outdoor Kitchen.**

It's big, it's shiny and it's going to make a big impression in your backyard. Available as a powerful 4 or 5 burner that you can add almost anything to, from drawers to fridges, even a kitchen sink. The adjustable feet make it stable and secure when cooking. Made from weather resistant stainless steel so it can cope with whatever mother nature throws at it. It takes a tough barbecue to cook a tender steak.



Available in 4 and 5 burner options. Pictured with additional components.



Discovery 1100s Outdoor Kitchen 4 Burner

Stainless steel side shelf

Stainless steel side shelf with side burner



Stainless Steel Cabinet - No Drawer

Stainless Steel Cabinet with Sink

Stainless Steel Cabinet with Drawer

Stainless Steel Cabinet with Side Burner

*All cabinet doors are reversible

Well done mate

Discovery® 1100 Built-in Series

If you're serious about entertaining, you'll sure want to snag one of these backyard beauties, in weather resistant powder coated steel or sleek, durable stainless steel. For good times and great flavours, nothing says tasty like our sensational Discovery 1100 Series range of barbecues. They're packed with innovative features and guaranteed to please even the most accomplished barbecue chef.



Discovery® 1100s 4 Burner Built-in

Knock yourself out and build your own magnificent outdoor barbecue with this sleek and durable stainless steel model. You wouldn't want to hide this away in the shed. Shown here with the matching, juicy-cooking, stainless steel convection roasting hood.



See page 02-03 for icon definitions
Available in 4 & 5 burners



Discovery® 1100s 5 Burner Built-in

Imagine this, built-in to your own luxury outdoor entertainment centre. It will open your eyes to a whole new world of seriously tasty outdoor cooking. Pictured here with convection roasting hood and viewing window.



See page 02-03 for icon definitions
Available in 4 & 5 burners



Discovery® 1100e 3 Burner Built-in

A little beauty whichever way you look at it. Compact, powerful and ideal for smaller backyards, courtyards and balconies. Watch as your meal cooks to perfection through the convection roasting hood.



See page 02-03 for icon definitions
Available in 3, 4 & 5 burners



Discovery® 1100e 4 Burner Built-in

Ready to move up in the world? Get a barbecue with grunt. Four muscular burners to cook your meal perfectly as you watch it sizzle through the see-through convection roasting hood. They'll be eating out of your hands.



See page 02-03 for icon definitions
Available in 3, 4 & 5 burners



Discovery® 1100 5 Burner Built-in

There's a lot of brag value in this one. With five beefy burners for serious cooking performance, this is the barbecue for meat lovers as the convection roasting hood seals in the juicy flavours. When you need to impress, fire it up and watch the fun and good times follow.



See page 02-03 for icon definitions
Available in 4 & 5 burners



TASTE OF  AUSTRALIA

*Built-in brackets sold separately
For outdoor use only



She's a beauty

Professional Rangehood

This true blue beauty will sit perfectly above your barbecue to help reduce any unwanted smoke while you're turning the snags. It's powerful and stylish stainless steel looks are the finishing touches to the ultimate outdoor kitchen.



120cm Professional Rangehood

Feast your eyes on this little beauty. With dual aluminium motors, commercial stainless steel and 'restaurant style' baffle filters this rangehood cannot be underestimated. This stunning BeefEater professional rangehood is designed and purpose built to exacting standards for kitchens and barbecue alfresco areas.

TASTE OF AUSTRALIA



But wait, there's more

Enhance the outdoor cooking experience by choosing high quality BeefMates accessories for your BeefEater barbecue.



The BeefMates accessory range can be trusted to help you host the best Aussie barbecues. With more than thirty accessories in the range, BeefMates are custom made to make your cooking experience perfectly satisfying. Great barbecues deserve great BeefMates!

For the full run-down on our complete range of BeefMates accessories, visit our website at www.beefeaterbbq.com



Have a Stab Mate

BeefMates 17" Fork
Product Code: 94970



Get a Grip Mate

BeefMates 17" Tongs
Product Code: 94972



Give'em the Flick Mate

BeefMates 17" Spatula
Product Code: 94971



Give'em the Flick Mate

BeefMates Wide Spatula
Product Code: 94976



My Mate's Scrubber

BeefMates Brush & Scraper
Product Code: 94973



Carve it up Mate

BeefMates 2 Piece Carving Set
Product Code: 94962



My Toolbox Mate

BeefMates 3 Piece Tool Set
Product Code: 94963



Give'em the Flick Mate

BeefMates Long Spatula
Product Code: 94975



Brush me off Mate

BeefMates 17" Basting Brush
Product Code: 94974



But wait, there's more Mate

BeefMates 6 Piece Steak Knife Set
Product Code: 94966



Pizza Perfection Mate

BeefMates Pizza Oven
Product Code: 29710



Try some Teppanyaki Mate

BeefMates Teppanyaki Plate
Product Code: 94390

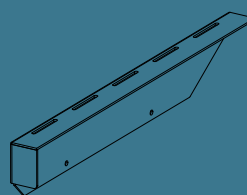
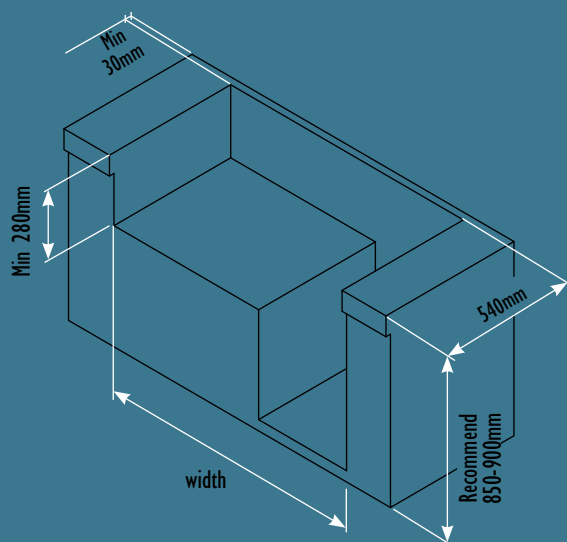
What's the plan stan?

Plan your outdoor kitchen here - too easy mate!

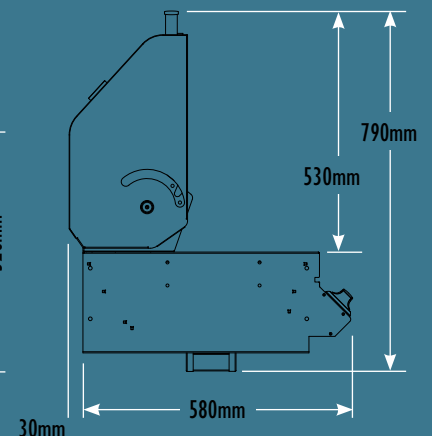
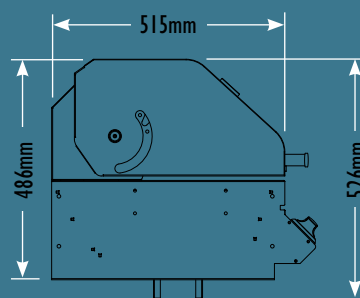
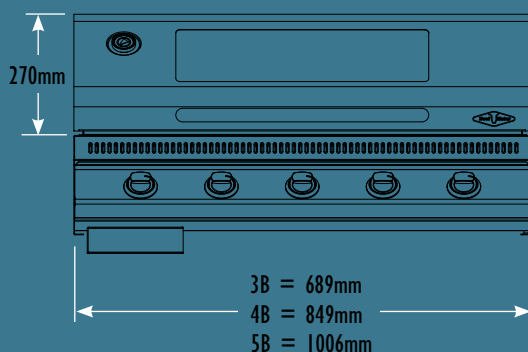
Discovery 1100 Built-in Series - Cut Out Dimensions

For built-in installations: islands, masonry, other non-combustible material structures.

| To suit models: 1100s, 1100e and 1100 | 3 burner | 4 burner | 5 burner |
|--|----------|----------|----------|
| Width | 720mm | 880mm | 1035mm |
| Height | 280mm | | |
| Depth (includes 20mm rear ventilation clearance) | 540mm | | |
| Clearance at rear (Min) | 30mm | | |
| Minimum Clearance to Combustible Materials | 450mm | | |



Built-in brackets required

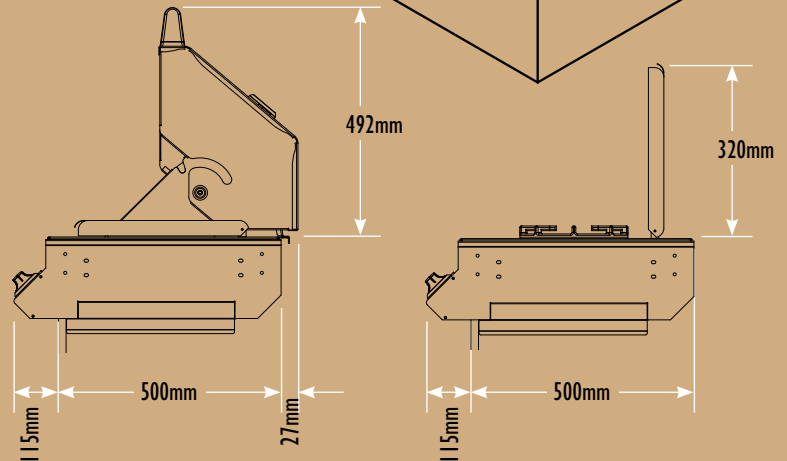
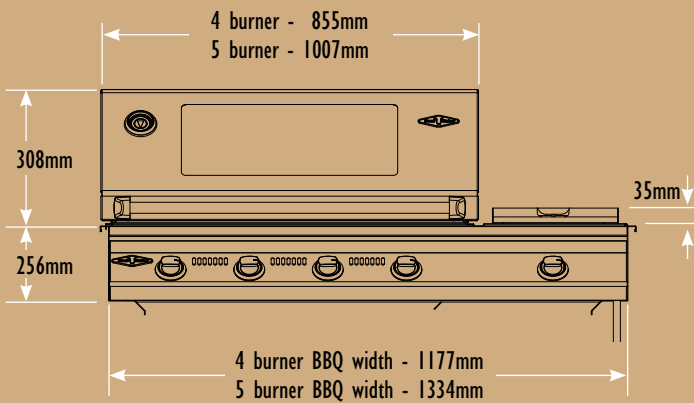


Signature SL Built-in Series

- Cut Out Dimensions

For built-in installations: islands, masonry, other non-combustible material structures.

| Signature SL Built-In BBQs | 4 burner | 5 burner |
|--|----------|----------|
| Width | 1190mm | 1345mm |
| Height | 270mm | |
| Depth (includes 20mm rear ventilation clearance) | 520mm | |
| Minimum Clearance to Combustible Materials | 450mm | |



Important: Allow sufficient distance at rear of installation for hood opening clearance requirements.

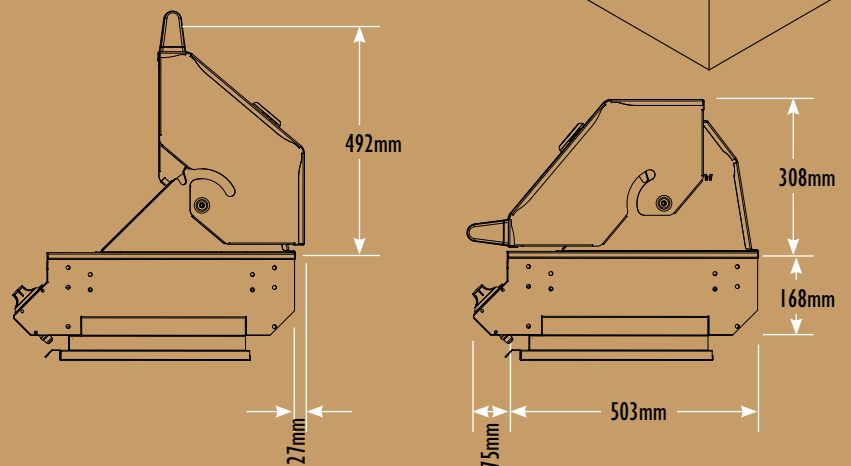
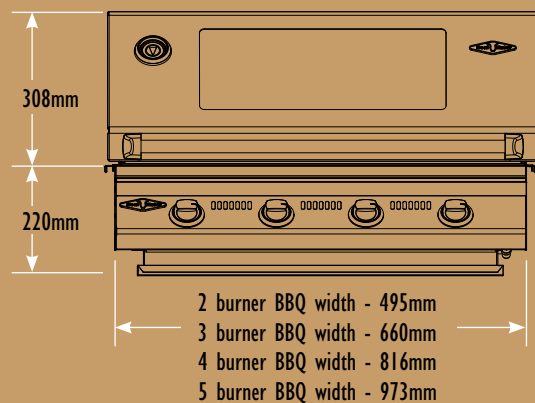
Signature Built-in Series

- Cut Out Dimensions

For built-in installations: islands, masonry, other non-combustible material structures.

| Signature Series Built-In BBQs | 2 burner | 3 burner | 4 burner | 5 burner |
|--|----------|----------|----------|----------|
| Width | 508mm | 671mm | 828mm | 985mm |
| Height | 230mm | | | |
| Depth (includes 20mm rear ventilation clearance) | 520mm | | | |
| Minimum Clearance to Combustible Materials | 450mm | | | |

| Side / Wok Burner | |
|--|-------|
| Width | 220mm |
| Depth | 412mm |
| Minimum Clearance to Combustible Materials | 450mm |



Important: Allow sufficient distance at rear of installation for hood opening clearance requirements.



Dimensions & specifications

Signature Series Outdoor Kitchens Modular sizes and configurations

Right about now you'd be pretty pumped about getting on with the outdoor kitchen of your dreams. So we've provided a few dimension and specs to get you started with the design. First, decide on the type of kitchen you'd like - fully modular or the built-in and/or mobile units. Then, go measure the actual space and away you go!

Problems? No biggie. Your BeefEater specialist dealer can give you a hand and help you with the design.



Sink Module
width 600mm, depth 610mm



**Left & Right Hand
Corner Module**



3 Drawer Module
width 600mm depth 610mm



**Left Hand Door
Module**
width 600mm, depth 610mm



**Right Hand Door
Module**
width 600mm, depth 610mm



**Side Burner
Module**
width 600mm, depth 610mm



**4 Burner BBQ
Module**
width 900mm, depth 570mm



**2 Burner BBQ
Module**
width 600mm, depth 570mm



Side Burner
width 345mm, depth 510mm

Modules pictured above with optional granite bench top
For outdoor use only

Dimensions & specifications

Signature Series Outdoor Kitchens

| Barbecue Module | Height mm | (in.) | Width mm | (in.) | Depth mm | (in.) | Weight kg (lbs) | Total Power BTU | (MJ/hr) |
|-------------------|-----------|-------|----------|-------|----------|-------|-----------------|-----------------|----------|
| 2 Burner S3000s | 202mm | 8.0" | 495mm | 19.5" | 570mm | 22.4" | 30kg 66lbs | 36000 BTU | 38MJ/hr |
| 3 Burner S3000s/e | 202mm | 8.0" | 660mm | 26.0" | 570mm | 22.4" | 37kg 81lbs | 54000 BTU | 57MJ/hr |
| 4 Burner S3000s/e | 202mm | 8.0" | 816mm | 32.1" | 570mm | 22.4" | 45.5kg 100lbs | 72000 BTU | 76MJ/hr |
| 5 Burner S3000s/e | 202mm | 8.0" | 973mm | 38.3" | 570mm | 22.4" | 53kg 116lbs | 90000 BTU | 95MJ/hr |
| 4 Burner SL4000s | 202mm | 8.0" | 1177mm | 46.2" | 570mm | 22.4" | 60kg 132lbs | 86000 BTU | 91MJ/hr |
| 5 Burner SL4000s | 202mm | 8.0" | 1334mm | 52.4" | 570mm | 22.4" | 65kg 147lbs | 104000 BTU | 110MJ/hr |

| Roasting Hood | Height mm | (in.) | Width mm | (in.) | Depth mm | (in.) | Weight kg (lbs) | Total Power BTU | (MJ/hr) |
|--------------------------------|-----------|-------|----------|-------|----------|-------|-----------------|-----------------|---------|
| 2 Burner Roasting Hood | 305mm | 12.0" | 530mm | 20.9" | 500mm | 19.7" | 15kg 33lbs | - | - |
| 3 Burner Roasting Hood | 305mm | 12.0" | 697mm | 27.4" | 500mm | 19.7" | 18kg 39lbs | - | - |
| 4 Burner Roasting Hood | 305mm | 12.0" | 854mm | 33.6" | 500mm | 19.7" | 20kg 44lbs | - | - |
| 5 Burner Roasting Hood | 305mm | 12.0" | 1011mm | 39.8" | 500mm | 19.7" | 23kg 50lbs | - | - |
| Height: All Models - Hood Open | 495mm | 12.1" | - | - | - | - | - | - | - |
| Height: All Models - Closed | 308mm | 19.6" | - | - | - | - | - | - | - |

| Side Burner | Height mm | (in.) | Width mm | (in.) | Depth mm | (in.) | Weight kg (lbs) | Total Power BTU | (MJ/hr) |
|-----------------------|-----------|-------|----------|-------|----------|-------|-----------------|-----------------|---------|
| Trolley Mounted Model | 145mm | 5.7" | 345mm | 13.6" | 510mm | 20.1" | - | 20000 BTU | 21MJ/hr |
| Built in Model | 145mm | 5.7" | 345mm | 13.6" | 510mm | 20.1" | - | 20000 BTU | 21MJ/hr |
| Height of Open Lid | 320mm | 12.6" | - | - | - | - | - | - | - |

Discovery Series Outdoor Kitchens

| Barbecue Module - 1100 Series (with hood all models) | Height mm | (in.) | Width mm | (in.) | Depth mm | (in.) | Weight kg (lbs) | Total Power BTU | (MJ/hr) |
|--|-----------|-------|----------|-------|----------|-------|-----------------|-----------------|---------|
| Discovery1100S 4 Burner | 525mm | 20.7" | 849mm | 33.4" | 580mm | 22.8" | 51kg 112lbs | 65000 BTU | 68MJ/hr |
| Discovery1100S 5 Burner | 525mm | 20.7" | 1006mm | 39.6" | 580mm | 22.8" | 58kg 128lbs | 80000 BTU | 85MJ/hr |
| Discovery1100E 3 Burner | 525mm | 20.7" | 689mm | 27.1" | 580mm | 22.8" | 43kg 95lbs | 48000 BTU | 51MJ/hr |
| Discovery1100E 4 Burner | 525mm | 20.7" | 849mm | 33.4" | 580mm | 22.8" | 51kg 112lbs | 65000 BTU | 68MJ/hr |
| Discovery1100E 5 Burner | 525mm | 20.7" | 1006mm | 39.6" | 580mm | 22.8" | 58kg 128lbs | 80000 BTU | 85MJ/hr |
| Discovery1100 4 Burner | 525mm | 20.7" | 849mm | 33.4" | 580mm | 22.8" | 51kg 112lbs | 65000 BTU | 68MJ/hr |
| Discovery1100 5 Burner | 525mm | 20.7" | 1006mm | 39.6" | 580mm | 22.8" | 58kg 128lbs | 80000 BTU | 85MJ/hr |
| Total height BBQ-Hood open | 790mm | 31.1" | - | - | - | - | - | - | - |

| Side Burner | Height mm | (in.) | Width mm | (in.) | Depth mm | (in.) | Weight kg (lbs) | Total Power BTU | (MJ/hr) |
|---------------------|-----------|-------|----------|-------|----------|-------|-----------------|-----------------|---------|
| Side Burner - 1100S | 140mm | 5.5" | 360mm | 14.2" | 495mm | 19.5" | - | 14000 BTU | 15MJ/hr |
| Height of open lid | 380mm | 15" | - | - | - | - | - | - | - |

| Discovery 1100 ODK module | Height mm | (in.) | Width mm | (in.) | Depth mm | (in.) | Weight kg (lbs) | Total Power BTU | (MJ/hr) |
|--|-----------|-------|----------|-------|----------|-------|-----------------|-----------------|---------|
| Cabinet - No Drawer | 895mm | 35.2" | 500mm | 19.7" | 550mm | 21.7" | 32kg 71lbs | - | - |
| Cabinet with Sink | 895mm | 35.2" | 500mm | 19.7" | 550mm | 21.7" | 35kg 77lbs | - | - |
| Cabinet with Drawer | 895mm | 35.2" | 500mm | 19.7" | 550mm | 21.7" | 34kg 75lbs | - | - |
| Cabinet with Side Burner | 895mm | 35.2" | 500mm | 19.7" | 550mm | 21.7" | 38kg 84lbs | 14000 BTU | 15MJ/hr |
| Height of BBQ when installed-Hood closed | 1160mm | 45.7" | - | - | - | - | - | - | - |
| Height of BBQ when installed-Hood open | 1425mm | 45.7" | - | - | - | - | - | - | - |

| Rangehood | Height mm | (in.) | Width mm | (in.) | Depth mm | (in.) | Weight kg (lbs) | Total Power (m3/h) | Noise level |
|-----------|------------|---------|----------|-------|----------|-------|-----------------|--------------------|-------------|
| Rangehood | 760-1067mm | 30"-40" | 1220mm | 48" | 610mm | 24" | 40.5kg 89lbs | 2000 m3/h | 66dba |

BeefEater products are available in

Australia, Canada, Cyprus, Denmark, Finland, France, Germany, Greece, Hong Kong, Hungary, Ireland, Israel, Italy, Malta, Netherlands, New Zealand, Norway, Portugal, Qatar, Russia, Singapore, Spain, Sweden, Switzerland, United Arab Emirates, The United Kingdom and The United States.



INTRODUCING THE NEW BUGG

BUGG[®]
BeefEater Universal Gas Grill

The BUGG (BeefEater Universal Gas Grill) is a new species of BBQ that's so much more than you ever imagined.

The amazing BUGG picks up where other BBQs leave off. Sure, it's small in size. But it's big on technology and engineering with a host of advanced features specially adapted for today's world.

PRODUCT INFORMATION:

- Two independent controlled burners reaching up to 21 MJ/hr.
- Quartz Start[®] Ignition makes sure your BUGG fires up every time.
- An integrated thermometer comes standard.
- 1/2 grill, 1/2 plate option
- Easy clean porcelain hood
- Big enough to cook a whole turkey (1860 cm² cooking area)
- 5 years warranty
- Available in Amber or Graphite



MORE POWER

EXTRA CONTROL

SUPER COMPACT

PICK UP AND GO

DURABILITY PLUS

MORE PERSONALITY



CUSTOMISE YOUR BUGG EXPERIENCE.

Do more with the full BUGG kit and make a great barbecuing experience even better.



GRILL

This handy half grill gives you more flexibility to cook more steaks for a bigger party.



TROLLEY COVER

The perfect snug-fit waterproof cover to keep your BUGG looking good while in storage.



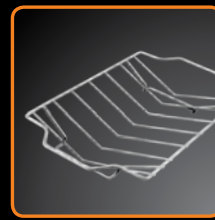
BBQ COVER

No trolley? Keep your BUGG under wraps with the custom-made BBQ Cover.



TRAVEL BAG

Packed to perfection and ready to go, this handy travel bag lets you tote your BUGG pretty much anywhere. Pronto!



ROAST HOLDER

Create juicy roasts just the way you like them.



BAKING DISH

Team up this must-have baking dish with the roast rack to catch those succulent BUGG juices.



TEFLON LINER PACK

These easy clean non-stick liners let you crisp and brown eggs, marinades and hotcakes without sticking and less mess.



PIZZA STONE SET

Heats up hot to make BUGG delicious crisp base pizza in a snip. Set includes paddle and cutting wheel.



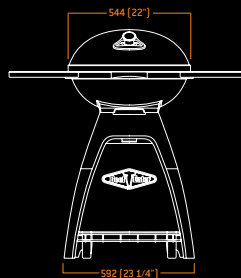
DIGITAL THERMOMETER

Be confident your roast is cooked through perfectly every time with this handy digital probe thermometer.



ACCESSORY HOOKS

A handy docking station for all things BUGG.



www.beefeaterbugg.com



Serious Barbecues

Woodland Home Products Pty Ltd
3-5 Birmingham Avenue
Chester Hill NSW 2162 Australia

Toll Free 1800 356 660

Phone +61 2 9724 8888
Facsimile +61 2 9724 8399
Email mail@beefeaterbbq.com

USA Toll Free 1866 550 2333

www.beefeaterbbq.com

YOUR NEAREST STOCKIST

- SPECIALIST BEEFEATER DEALER -

HEAT WOODS
COOL WOODS

126 MAGILL RD NORWOOD // 608 NORTH EAST ROAD HOLDEN HILL

TEMP/2012



BEEFEATER SIGNATURE AND DISCOVERY SERIES BARBECUES ARE APPROVED TO THE FOLLOWING STANDARD: AUSTRALIA: AS 4557-2004 ~ EUROPE: EN 498 NORTH AMERICA: ANSI Z21.586-2002/CSA 1.6B 2002

All barbecues featured are for outdoor use only.

Warning: Contact your local municipality for any building codes regulating the installation of outdoor barbecue appliances. Outdoor installations must conform to local codes or, in the absence of local codes, with the following:


USA: National Fuel Gas Code, ANSI Z223.1/NFPA 54

CAN: B149.1 Natural Gas & Propane Installation Code.

AUST: Australian Standards Code AS: 5601

Required rangehood and ceiling heights above all barbecues may vary in accordance to local codes and regulations regarding 'indoor' or 'commercial' installations.

BeefEater products are constantly being developed, therefore, design, specifications, materials and product configurations may change without notice. All products shown feature various options. Consult with your BeefEater specialist retailer for further details of product configurations and options available.

BeefEater  is a registered trade mark of Woodland Home Products. Proudly Australian owned.

Not all products available in all countries.