



## Fitzroy Inbuilt ★ ★ ★ ☆

**Designed for Australian needs,** the Fitzroy inbuilt has become a proven favourite.

**Clean, fuss free design** with high efficiency and heat output.

**Neatly fits** the cavity of existing gas/oil space heaters.

**A mock installation kit** makes your heater suitable for installation with timber or plasterboard (combustible surfaces). Refer to website for mock fireplace installation specifications.

### Standard Features

- + Electronic ignition and controls
- + 3 heat and fan speed settings
- + Realistic eucalypt look logs
- + Standard mesh safety guard
- + Enhanced flame effect (except FITZIB-SMENB)
- + Metallic Black Finish (FITZIB-SMENB & FITZIB-SMEXB)
- + Platinum Finish (FITZIB-SMEXP)
- + Heats 80 m<sup>2</sup> on average
- + 3.6 star energy rating
- + 4 continuously monitored safety systems

### Options

- + Fitzroy freestanding kit
- + Fitzroy glass kit
- + Remote thermostat
- + Spacer kit
- + Surround kit
- + Console kit
- + Inbuilt flue kit
- + Mock installation kit
- + Chimney plate



FITZIB-SMENB



FITZIB-SMEXB



FITZIB-SMENB shown with optional Freestanding Kit (FITZFSKITX-B)



FITZIB-SMEXP



# Fitzroy Inbuilt heater specifications and dimensions

## Models **FITZIB-SMENB / FITZIB-SMEXB / FITZIB-SMEXP**

<b>Type</b>	Inbuilt
<b>Colours</b>	Metallic black baked enamel or platinum finish
<b>Gas consumption</b>	26 MJ/hr
<b>Gas type</b>	Natural gas/LPG
<b>Efficiency rating</b>	3.6 stars <sup>1</sup>
<b>Heat output</b>	5.98 kW / 21.45 MJ/h
<b>Heats on average</b>	80 square metres (80 m <sup>2</sup> )
<b>Fan/heat settings</b>	3 speed / 3 heat

<b>Dimensions</b>	<b>Fascia</b>
<b>Height</b>	651 mm
<b>Width</b>	808 mm
<b>Depth</b>	50 mm

## Installation **Fireplace opening (brick & masonry)**

The purpose of these pages is to briefly illustrate the specifications. For full details refer to the comprehensive instructions included with the heater or visit [www.cannonheaters.com.au](http://www.cannonheaters.com.au). Whilst every effort is made to provide current information at the time this brochure was produced, continuing product development means that the enclosed specifications, images and literature may differ.

Gas connection via a 1/2" copper compression fitting.

A 10 amp socket within 1.5 m is required. Inbuilt models can be direct wired with an accessible double pole isolating switch

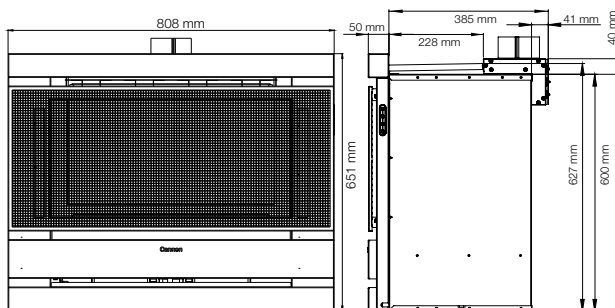
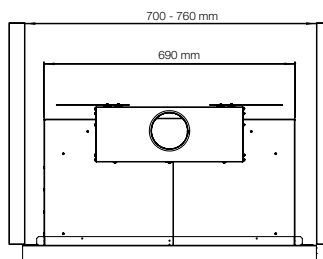
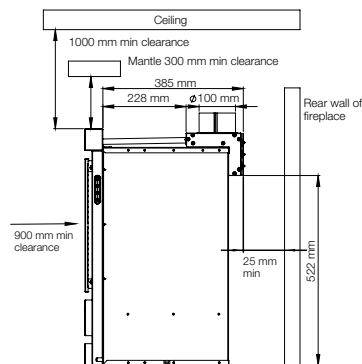
<sup>1</sup>Tested to AS 4553:2008.

	Max	Min
Height	640 mm	605 mm
Width	760 mm	700 mm
Depth	N/A	410 mm*

\* Includes 25 mm clearance between flue spigot and rear brickwork

Maximum length of flue: 4.5m

Suitable for non-combustible or masonry/brick fireplaces or into a mock fireplace using a Mock Kit purchased separately.



FOR INSTALLATIONS IN NON COMBUSTIBLE ENCLOSURES: (Refer to installation instructions for further details).

## Mock Fireplace Opening (combustible materials)<sup>\*</sup>

	Max	Min
Height	640 mm	630 mm
Width	760 mm	730 mm
Depth	N/A	410 mm*

<sup>\*</sup>If you have a larger opening than the maximum height indicated, a surround kit is recommended. <sup>\*</sup>Includes 25 mm clearance between flue spigot and rear wall.

AVAILABLE FROM

Proudly manufactured and distributed by

**Sampford|IXL**

[info@sampfordixl.com.au](mailto:info@sampfordixl.com.au) [www.cannonheaters.com.au](http://www.cannonheaters.com.au)

**Victoria Showroom:** 421 Smith Street, Fitzroy, 3065. **Telephone** 1300 727 421. **Western Australia Showroom:** 1/278 Scarborough Beach Road, Osborne Park, 6017. **Telephone** 08 9242 5003. **Queensland Showroom:** 3/45 Commercial Road, Newstead, 4006. **Telephone** 07 3358 3000.



## Fitzroy Powerflue ★ ★ ★ ★ ☆

**5.5 star energy rated**, the Powerflue is the ideal choice for the energy conscious. The double pipe system draws air from the outside for combustion and vents the flue gases outside.

**Flexible flue options** take Cannon built in heaters into new territory. See website for more details.

**Clever design** flaunts convention, letting you install it on any external wall, even in a multi-storey dwelling.

### Standard Features

- + Electronic ignition and controls
- + 3 heat and fan speed settings
- + Realistic eucalypt look logs
- + Standard mesh safety guard
- + Enhanced flame effect
- + Metallic Black Finish (FITZIB-PMEXB)
- + Platinum Finish (FITZIB-PMEXP)
- + Flexible flueing options
- + Supplied with 2 X 50mm diameter lengths of 400 mm aluminium flexible tubing, an insulating blanket and flue terminal
- + Heats 80 m<sup>2</sup> on average
- + Suitable for use in 5 star energy rated homes
- + Star energy rating: 5.5
- + 5 continuously monitored safety systems

### Options

- + Fitzroy glass kit
- + Remote thermostat
- + Spacer kit
- + Weatherproof box
- + Surround kit
- + Console kit
- + Extended flue kit



FITZIB-PMEXB



FITZIB-PMEXP

# Fitzroy Powerflue heater specifications and dimensions

## Models

**FITZIB-PMEXB or FITZIB-PMEXP**

<b>Type</b>	Inbuilt Powerflue with variable flue options
<b>Colours</b>	Metallic black baked enamel or platinum finish
<b>Gas consumption</b>	26 MJ/hr
<b>Gas type</b>	Natural gas/LPG
<b>Efficiency rating</b>	5.5 stars <sup>1</sup> for units with flue 600 mm long
<b>Heat output</b>	6.42kW / 23.11 MJ/h
<b>Heats on average</b>	80 square metres (80 m <sup>2</sup> )
<b>Fan/heat settings</b>	3 speed / 3 heat

<b>Dimensions</b>	<b>Fascia</b>
<b>Height</b>	651 mm
<b>Width</b>	808 mm
<b>Depth</b>	50 mm

## Installation

The purpose of these pages is to briefly illustrate the specifications. For full details refer to the comprehensive instructions included with the heater or visit [www.cannonheaters.com.au](http://www.cannonheaters.com.au). Whilst every effort is made to provide current information at the time this brochure was produced, continuing product development means that the enclosed specifications, images and literature may differ.

Gas connection via a 1/2" copper compression fitting.

A 10 amp socket within 1.5 m is required. Inbuilt models can be direct wired with an accessible double pole isolating switch

<sup>1</sup>Tested to AS 4553:2008.

### Fireplace opening (brick & masonry)

	Max	Min
Height	640 mm	605 mm
Width	760 mm	700 mm
Depth	N/A	538 mm

### Dimensions of flue

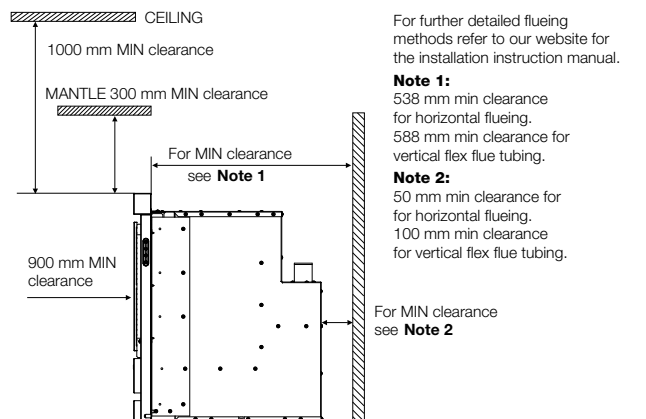
Flue and air inlet through 50 mm diameter aluminium & PVC pipes  
2 x 400 mm lengths of 50 mm flexible aluminium tubing.

### Dimensions of flue terminal

Maximum length of flue: 6.0 m  
Minimum length of flue: 130 mm  
Flue terminal: 160 mm outer diameter,  
150 mm deep (horizontal)  
200 mm high (vertical)

See installation instructions for further details.

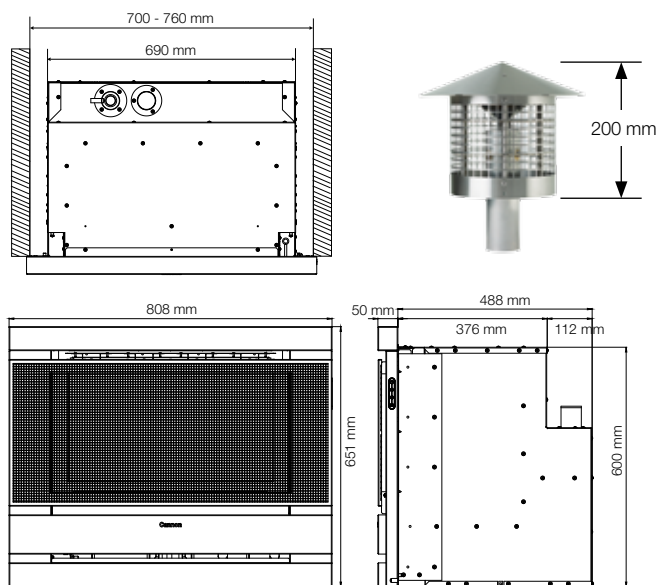
Mock Kit included with heater, may need to be removed from brick/masonry openings to allow fitment in openings less than 630 mm high.



For further detailed flueing methods refer to our website for the installation instruction manual.

**Note 1:**  
538 mm min clearance for horizontal flueing.  
588 mm min clearance for vertical flex flue tubing.

**Note 2:**  
50 mm min clearance for horizontal flueing.  
100 mm min clearance for vertical flex flue tubing.



## Mock Fireplace Opening (combustible materials)\*

	Max	Min
Height	640 mm	630 mm
Width	760 mm	730 mm
Depth	N/A	538* mm

\*If you have a larger opening than the maximum height indicated, a surround kit is recommended. \*Includes 25 mm clearance between back of heater and rear wall and allows 50mm clearance to bend flue in horizontal applications. We recommend 588 mm min depth in vertical flueing applications using flexible pipes. In the event space constraints inhibit the installation process, where it is not possible to maintain a 50mm or 100mm cavity depth clearance, for ease of installation these clearances can be reduced. However, under AS5601 guidelines a minimum clearance of 25mm to combustibles MUST be maintained at all times.

AVAILABLE FROM

Proudly manufactured and distributed by

**Sampford|IXL**

[info@sampfordixl.com.au](mailto:info@sampfordixl.com.au) [www.cannonheaters.com.au](http://www.cannonheaters.com.au)

**Victoria Showroom:** 421 Smith Street, Fitzroy, 3065. Telephone 1300 727 421. **Western Australia Showroom:** 1/278 Scarborough Beach Road, Osborne Park, 6017. Telephone 08 9242 5003. **Queensland Showroom:** 3/45 Commercial Road, Newstead, 4006. Telephone 07 3358 3000.



## Canterbury Powerflue ★ ★ ★ ★ ☆

**5.5 star energy rated**, the Powerflue is the ideal choice for the energy conscious. The double pipe system draws air from the outside for combustion and vents the flue gases outside.

**Flexible flue options** take Cannon built in heaters into new territory. See website for more details.

**Clever design** flaunts convention, letting you install it on any external wall, even in a multi-storey dwelling.

### Standard Features

- + Electronic ignition and controls
- + 3 heat and fan speed settings
- + Realistic eucalypt look logs
- + Standard double glazed glass
- + Enhanced flame effect
- + Metallic Black Finish (CANTIB-PDEEB)
- + Platinum Finish (CANTIB-PDEEP)
- + Flexible flueing options
- + Supplied with 2 X 50mm diameter lengths of 400 mm aluminium flexible tubing, an insulating blanket and flue terminal
- + Heats 80 m<sup>2</sup> on average
- + Suitable for use in 5 star energy rated homes
- + Star energy rating: 5.5
- + 5 continuously monitored safety systems

### Options

- + Canterbury mesh guard kit
- + Remote thermostat
- + Spacer kit
- + Weatherproof box
- + Surround kit
- + Console kit
- + Extended flue kit



CANTIB-PDEEB



CANTIB-PDEEP

# Canterbury Powerflue heater specifications and dimensions

Models	CANTIB-PDEEB / CANTIB-PDEEP
<b>Type</b>	Inbuilt Powerflue with variable flue options
Colours	Metallic black baked enamel or platinum finish
Gas consumption	26 MJ/hr
Gas type	Natural gas/LPG
Efficiency rating	5.5 stars <sup>1</sup> for units with flue 600 mm long
Heat output	6.42 kW / 23.11 MJ/h
Heats on average	80 square metres (80 m <sup>2</sup> )
Fan/heat settings	3 speed / 3 heat

Dimensions	Fascia
Height	653 mm
Width	850 mm
Depth	125 mm

## Installation

The purpose of these pages is to briefly illustrate the specifications. For full details refer to the comprehensive instructions included with the heater or visit [www.cannonheaters.com.au](http://www.cannonheaters.com.au). Whilst every effort is made to provide current information at the time this brochure was produced, continuing product development means that the enclosed specifications, images and literature may differ.

Gas connection via a 1/2" copper compression fitting.

A 10 amp socket within 1.5 m is required. Inbuilt models can be direct wired with an accessible double pole isolating switch

<sup>1</sup>Tested to AS 4553:2008.

## Fireplace opening (brick & masonry)

	Max	Min
Height	640 mm	605 mm
Width	760 mm	700 mm
Depth	N/A	472 mm*

## Dimensions of flue

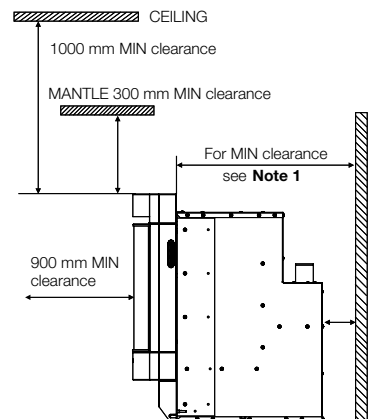
Flue and air inlet through 50 mm diameter aluminium & PVC pipes  
2 x 400 mm lengths of 50 mm flexible aluminium tubing.

## Dimensions of flue terminal

Maximum length of flue: 6.0 m  
Minimum length of flue: 130 mm  
Flue terminal: 160 mm outer diameter,  
150 mm deep (horizontal)  
200 mm high (vertical)

See installation instructions for further details.

Mock Kit included with heater, may need to be removed from brick/masonry openings to allow fitment in openings less than 630 mm high.

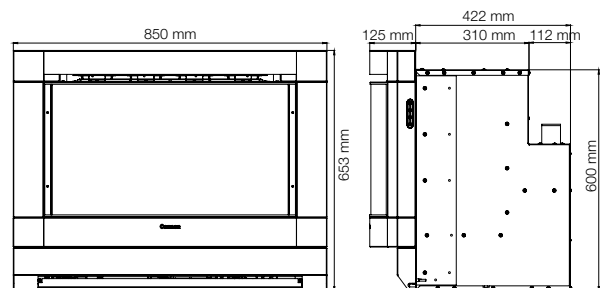
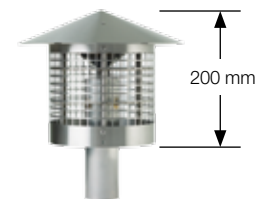
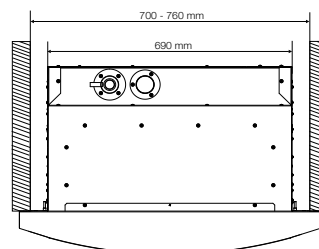


For further detailed flueing methods refer to our website for the installation instruction manual

**Note 1:**  
472 mm min clearance for horizontal flueing.  
522 mm min clearance for vertical flex flue tubing.

**Note 2:**  
50 mm min clearance for horizontal flueing.  
100 mm min clearance for vertical flex flue tubing.

For MIN clearance see **NOTE 2**



## Mock Fireplace Opening (combustible materials)\*

	Max	Min
Height	640 mm	630 mm
Width	760 mm	730 mm
Depth	N/A	472 mm*

\*If you have a larger opening than the maximum height indicated, a surround kit is recommended. \*Includes 25 mm clearance between back of heater and rear wall and allows 50mm clearance to bend flue in horizontal applications. We recommend 522 mm min depth in vertical flueing applications using flexible pipes. In the event space constraints inhibit the installation process, where it is not possible to maintain a 50mm or 100mm cavity depth clearance, for ease of installation these clearances can be reduced. However, under AS5601 guidelines a minimum clearance of 25mm to combustibles MUST be maintained at all times.

AVAILABLE FROM

Proudly manufactured and distributed by

**Sampford|IXL**

[info@sampfordixl.com.au](mailto:info@sampfordixl.com.au) [www.cannonheaters.com.au](http://www.cannonheaters.com.au)

**Victoria Showroom:** 421 Smith Street, Fitzroy, 3065. **Telephone** 1300 727 421. **Western Australia Showroom:** 1/278 Scarborough Beach Road, Osborne Park, 6017. **Telephone** 08 9242 5003. **Queensland Showroom:** 3/45 Commercial Road, Newstead, 4006. **Telephone** 07 3358 3000.



## Canterbury Freestanding ★ ★ ★ ★

**Elegant**, curved appearance that effortlessly suits any home.

**The double glazed window** allows unobstructed viewing of the flames, creating the perfect feel of a log fire in your home.

**An impressive energy rating** delivers heat effectively.

**Can be safely placed** on all floor surfaces making it suitable for the family rooms and large living areas of modern Australian homes.

### Standard Features

- + Electronic ignition and controls
- + 3 heat and fan speed settings
- + Realistic eucalypt look logs
- + Standard double glazed glass
- + Enhanced flame effect
- + Metallic Black Finish
- + Flue kit (FLUERO-B) required (purchase separately)
- + Heats 80 m<sup>2</sup> on average
- + 4 star energy rating
- + 4 continuously monitored safety systems

### Options

- + Remote thermostat
- + Canterbury mesh guard kit



CANTFS-SDEEB

# Canterbury Freestanding heater specifications and dimensions

## Models

### CANTFS-SDEEB

<b>Type</b>	Freestanding / top flue
Colours	Metallic black baked enamel finish
Gas consumption	26 MJ/hr
Gas type	Natural gas/LPG
Efficiency rating	4 stars <sup>1</sup>
Heat output	5.55 kW / 19.98 MJ/h
Heats on average	80 square metres (80 m <sup>2</sup> )
Fan/heat settings	3 speed / 3 heat

## Dimensions

### Fascia

Height	723 mm
Width	650 mm
Depth	425 mm Min. distance from flue centre to wall at rear of heater: Round – 75 mm.

## Installation

The purpose of these pages is to briefly illustrate the specifications. For full details refer to the comprehensive instructions included with the heater or visit [www.cannonheaters.com.au](http://www.cannonheaters.com.au). Whilst every effort is made to provide current information at the time this brochure was produced, continuing product development means that the enclosed specifications, images and literature may differ.

Gas connection via a 1/2" copper compression fitting.

A 10 amp socket within 1.5 m is required.

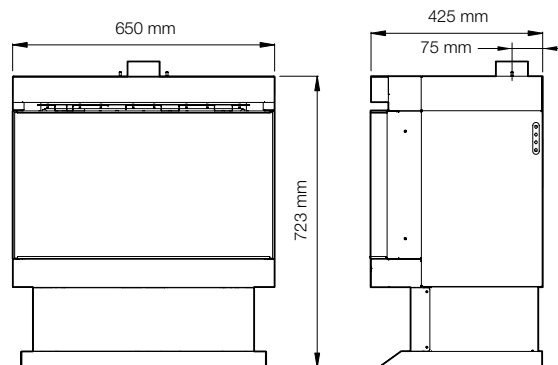
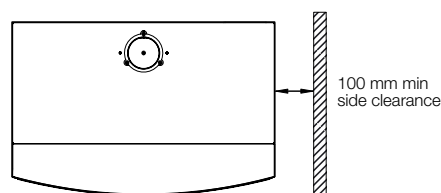
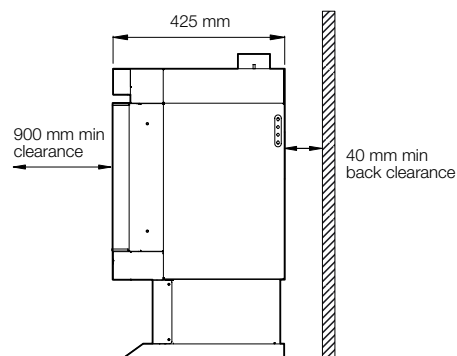
<sup>1</sup>Tested to AS 4553:2008.

### Flue kit comprising (purchase separately):

- 3 x 870 mm lengths of 125 mm dia. painted flue,
- 1 x 870 mm length of 125 mm dia. plain flue,
- 1 x ceiling ring,
- 1 x 125 mm cowl,
- 1 x painted bottom flue spigot.

Maximum length of flue: 4.5m

Heater does not require non-combustible base. Can be installed against a combustible wall with clearances of 40 mm rear, 100 mm side and 900 mm in front of heater. This model is to be installed with a Round Flue Kit part No. FLUERO-B purchased separately.



AVAILABLE FROM

Proudly manufactured and distributed by

**Sampford|IXL**

[info@sampfordixl.com.au](mailto:info@sampfordixl.com.au) [www.cannonheaters.com.au](http://www.cannonheaters.com.au)

**Victoria Showroom:** 421 Smith Street, Fitzroy, 3065. **Telephone** 1300 727 421. **Western Australia Showroom:** 1/278 Scarborough Beach Road, Osborne Park, 6017. **Telephone** 08 9242 5003. **Queensland Showroom:** 3/45 Commercial Road, Newstead, 4006. **Telephone** 07 3358 3000.





## Accessories Inbuilt and Freestanding



Spacer kit



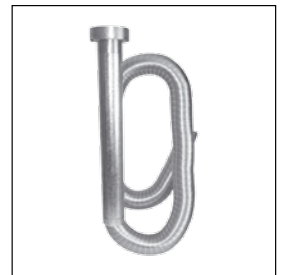
Fitzroy glass kit



3 sided surround kit



4 sided surround kit



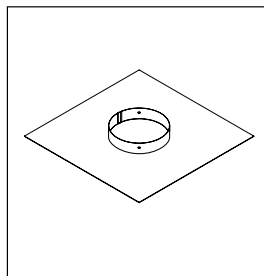
Flue Kits (IBFLUEKIT)



Fitzroy freestanding kit



Console kit



Chimney plate (inbuilt models only)



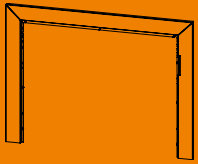
Remote thermostat



*FITZIB-SMENB shown with optional Freestanding Kit (FITZFSKITX-B)*

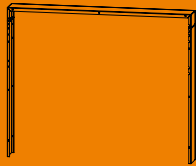
## Accessories dimensions

### Surround and Spacer Kit dimensions



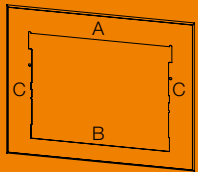
#### 3 sided surround (75 mm)

	Fitzroy Inbuilt	Canterbury Inbuilt
Height	725 mm	730 mm
Width	960 mm	1000 mm
Depth	10 mm	10 mm



#### Spacer kit

	Fitzroy Inbuilt	Canterbury Inbuilt
Height	651 mm	655 mm
Width	808 mm	850 mm
Depth	50 mm	50 mm



#### 4 sided surround

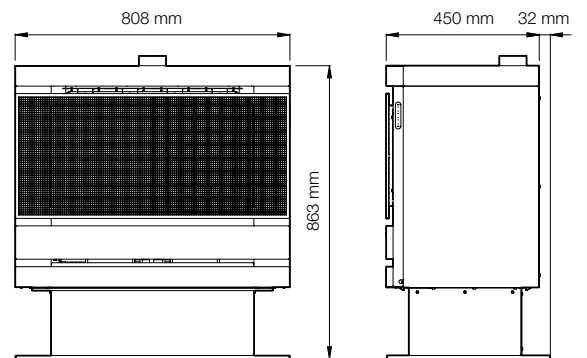
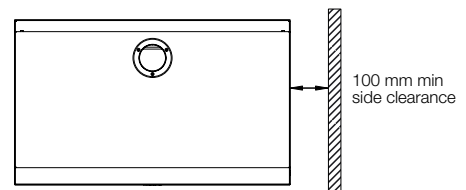
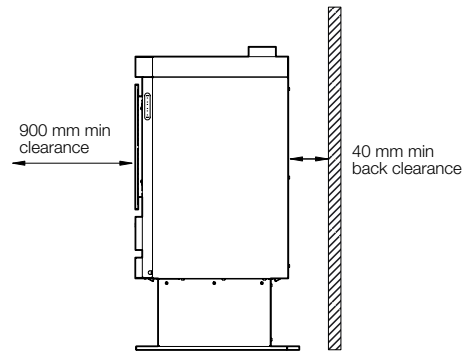
	Fitzroy Inbuilt	Canterbury Inbuilt
Height	850 mm	850 mm
Width	1045 mm	1045 mm
Depth	7 mm	7 mm
Frame	A – 95 mm	A – 91 mm
Width	B – 104 mm	B – 104 mm
	C – 119 mm	C – 98 mm

### Console Kit dimensions

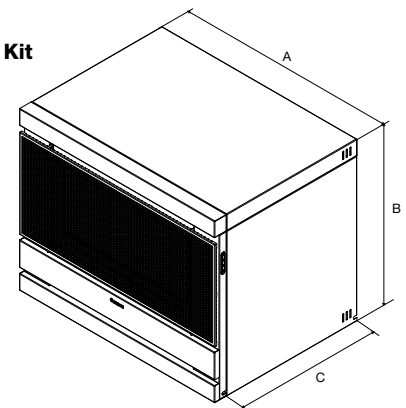
The Console Kit is designed to be used on the Fitzroy/Canterbury inbuilt heaters that are installed on an internal wall when there isn't enough depth for a full sized cavity.

	Fitzroy Inbuilt	Canterbury Inbuilt
A	808 mm	850 mm
B	651 mm	653 mm
C	435 mm	347 mm

### Fitzroy Freestanding dimensions



### Console Kit



AVAILABLE FROM

Proudly manufactured and distributed by

**Sampford|IXL**

info@sampfordixl.com.au www.cannonheaters.com.au

**Victoria Showroom:** 421 Smith Street, Fitzroy, 3065. **Telephone** 1300 727 421. **Western Australia Showroom:** 1/278 Scarborough Beach Road, Osborne Park, 6017. **Telephone** 08 9242 5003. **Queensland Showroom:** 3/45 Commercial Road, Newstead, 4006. **Telephone** 07 3358 3000.



## Accessories Powerflue



Spacer kit



Fitzroy glass kit



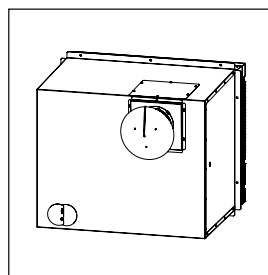
3 sided surround kit



4 sided surround kit



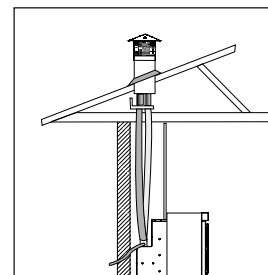
Console kit



Weatherproof box



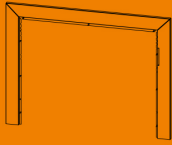
Remote thermostat



Extended Flue kit

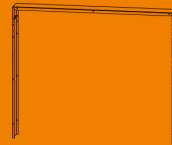
## Accessories dimensions

### Surround and Spacer Kit dimensions



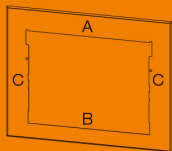
#### 3 sided surround (75 mm)

	Fitzroy Powerflue	Canterbury Powerflue
Height	725 mm	730 mm
Width	960 mm	1000 mm
Depth	10 mm	10 mm



#### Spacer kit

	Fitzroy Powerflue	Canterbury Powerflue
Height	651 mm	655 mm
Width	808 mm	850 mm
Depth	50 mm	50 mm



#### 4 sided surround

	Fitzroy Powerflue	Canterbury Powerflue
Height	850 mm	850 mm
Width	1045 mm	1045 mm
Depth	7 mm	7 mm
Frame Width	A – 95 mm B – 104 mm C – 119 mm	A – 91 mm B – 104 mm C – 98 mm

### Console Kit dimensions

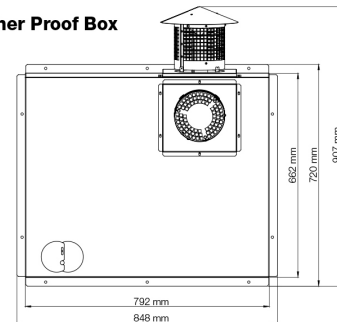
The Console Kit is designed to be used on the Powerflue inbuilt heaters that are installed on an internal wall when there isn't enough depth for a full sized cavity.

	Fitzroy Powerflue	Canterbury Powerflue
A	808 mm	850 mm
B	651 mm	653 mm
C	540 mm	480 mm

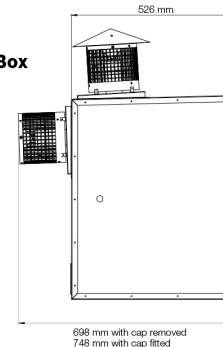
### Weather Proof Box dimensions

The Weatherproof Box is designed to be used on the Fitzroy and Canterbury Powerflue heaters that are installed on an external wall and protects the back of the heater from the elements. There are two flueing options – either on top of the weatherproof box or directly out the back\*.

#### Weather Proof Box

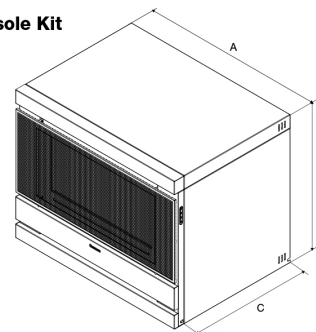


#### Weather Proof Box



\*If flueing directly out the back (horizontally), the top hat doesn't need to be used.

#### Console Kit



AVAILABLE FROM

- SPECIALIST CANNON DEALER -

**HEATWORKS**  
**COOLWORKS**

126 MAGILL RD NORWOOD // 608 NORTH EAST ROAD HOLDEN HILL

Proudly manufactured and distributed by

**Sampford IXL**

info@sampfordixl.com.au www.cannonheaters.com.au

**Victoria Showroom:** 421 Smith Street, Fitzroy, 3065. **Telephone** 1300 727 421. **Western Australia Showroom:** 1/278 Scarborough Beach Road, Osborne Park, 6017. **Telephone** 08 9242 5003. **Queensland Showroom:** 3/45 Commercial Road, Newstead, 4006. **Telephone** 07 3358 3000.

Cat. No. BRGAN-PFA00213