

Captiva

600, 900



Demand efficiency



The Captiva high efficiency glass fronted fireplaces have an impressive large scale fire with exceptional heating capacities. Ideal for installation into large rooms and thanks to their balanced flue direct vent technology can be installed into situations where conventional methods are not possible. Some of the most efficient gas fireplaces on the market, the Captiva is the sensible choice for a practical and stunning heating solution for your home.

real flame
the hearth of australia

Leaders in
Gas Fireplace
Technology



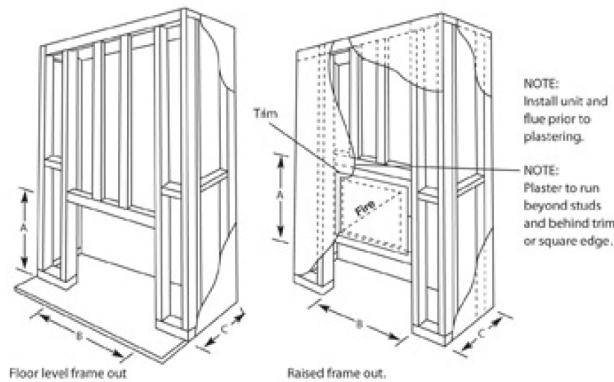
Demand efficiency

The Captiva fire is available in two sizes, a 600 model for medium size rooms and the 900 for larger areas. With impressive star ratings and a stunning flame pattern they provide the perfect centerpiece for any decor, whilst being exceptionally economical to run. Available with a number of different options, your Captiva will be right at home in a modern, contemporary or classic environment.

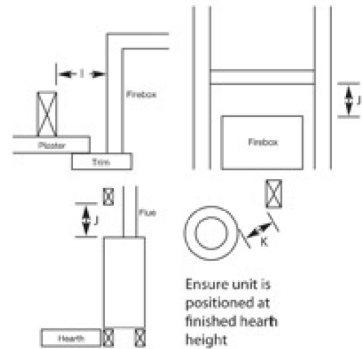
- Conceived, designed, researched, developed and built in Australia
- Glass fronted space heater
- Balanced flue
- Pebbles or Coals and Logs
- New application
- Traditional or modern
- Full remote control function
- 600 up to 85m²
- 900 up to 100m²



Specifications & Construction

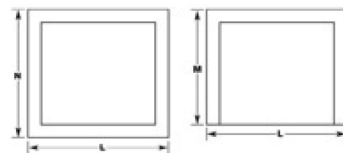
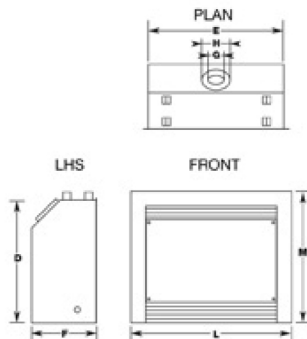


Clearance to Combustibles



	A	B	C	D	E	F	G	H	I	J	K	L	M	NG Mj/h	LP Mj/h	KW OUTPUT	STAR RATING	GPO REQ'D	VENTILATION
600	890	690	475	785	580	380	100	180	50	100	50	790	840	26	26	5.89	4.5	YES	NOT REQUIRED
900	890	970	475	780	860	410	100	180	50	100	50	1020	840	30	30	6.93	4.06	YES	NOT REQUIRED

Trims



TRIMS	L	M	N
600	790	840	930
900	1020	840	930

For detailed specifications visit
www.realflame.com.au

Head Office/Factory/Showroom
 1340 Ferntree Gully Road Scoresby VIC T 03 8706 2000

Showrooms

300 Swan Street Richmond	VIC	T 03 9428 4443
2a Gordon Avenue Geelong	VIC	T 03 5229 0844
9 Lonsdale St, Dandenong,	VIC	T 03 9791 9285
654 Pacific Highway Chatswood	NSW	T 02 8905 0189
36 Kareena Road Miranda	NSW	T 02 8513 6202
173-175 Magill Road Norwood	SA	T 08 8132 0371
46 Douglas Street Milton	QLD	T 07 3368 2011
47-53 McDonald Street East Osborne Park	WA	T 08 9444 9900
88 Wollongong Street Fyshwick	ACT	T 02 6280 5522

Warranty

Your Real Flame gas firebox is unconditionally guaranteed for a period of 10 years, all other parts are guaranteed for 12 months from date of purchase. This warranty does not cover outdoor installations

Available - SPECIALIST REALFLAME DEALER -

HEAT WOODS
COOL WOODS

126 MAGILL RD NORWOOD // 608 NORTH EAST ROAD HOLDEN HILL



LEADERS IN GAS FIREPLACE TECHNOLOGY