



DVL GSR / 33 DVI Firebacks

96100150 Brick/Herringbone (2 Sided) - 96100274 Handmade Brick -- 96100275 Reclaimed Brick

Packing List

- Rear Fireback
- (2) Side Firebacks

Installation

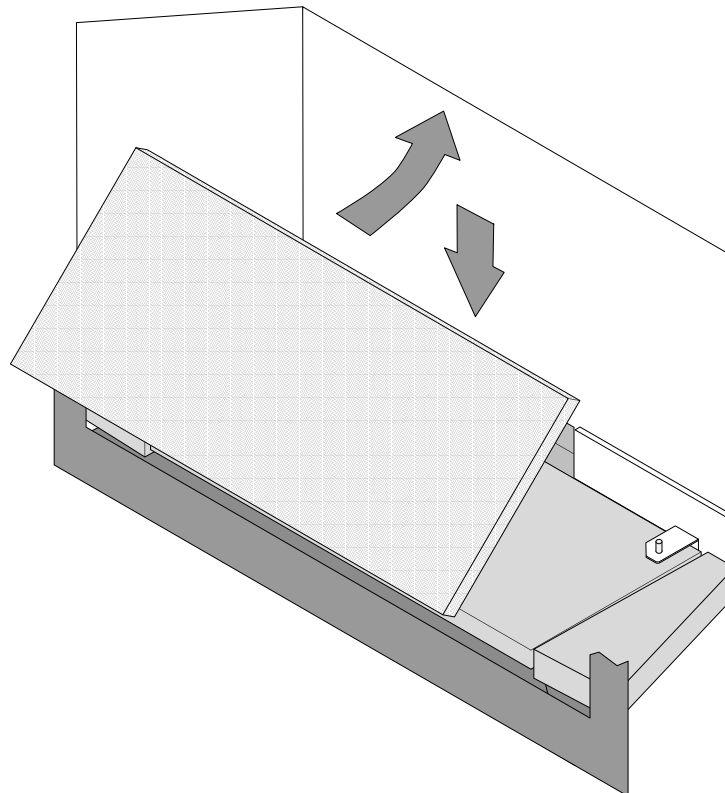


The rear fireback is rectangular and must be placed right-side-up. Lay the firebacks on a flat surface prior to installing to verify the grout lines are aligned.

WARNING Turn off gas to the appliance and make sure it has fully cooled prior to conducting service.

NOTE On two-sided firebacks make sure to use the desired pattern.

- 1 Remove the glass frame and logs (see the manual for details).
- 2 Remove the burner (see the manual for details).
- 3 On the DVL GSR, bend the accent light down.
- 4 Install the rear fireback as shown below. The top slides behind the baffle and the bottom rests on the shelf at the back of the firebox.



- 5 On the DVL GSR, return the accent light to the correct configuration.



DVL GSR / 33 DVI Firebacks

96100150 Brick/Herringbone (2 Sided) - 96100274 Handmade Brick -- 96100275 Reclaimed Brick

- 6 Install the side firebacks following the directions below.
- 7 Replace the burner and restore the appliance to the correct configuration.

