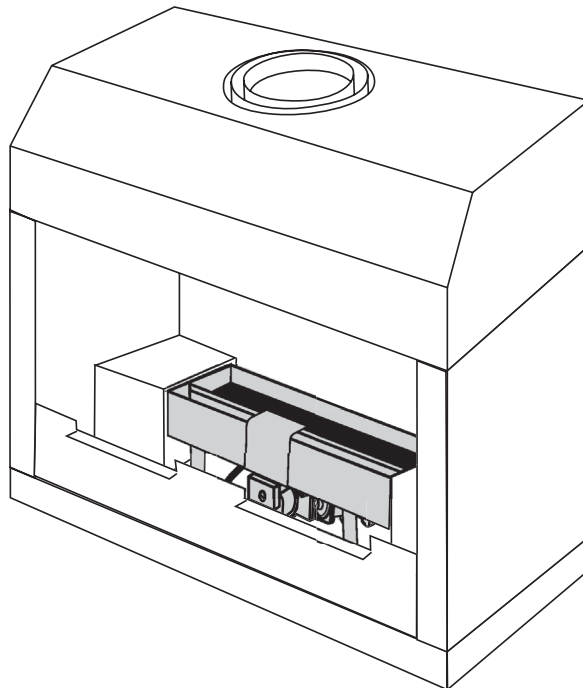


**real flame**  
the hearth of australia



# **ELEGANCE<sup>®</sup>, SIMPLICITY<sup>®</sup>, PURE VISION<sup>®</sup> DECORATIVE FIREBOXES**

---

## **INSTALLATION & OPERATING MANUAL**

Elegance – Simplicity – Pure Vision fire boxes are approved to be installed as a zero clearance firebox and are designed to operate on Natural Gas and Propane (LPG) gases ONLY.  
Approval Numbers: 6094 & GSCS20018

**Installed primarily as a decorative appliance. Not certified as a Space Heater.**

VERSION 20

## WARRANTY

Provided your Real Flame gas fire is installed in strict accordance with our installation instructions, the firebox is unconditionally guaranteed for ten years and all other parts for twelve months from date of purchase.

This unconditional warranty covers parts and labour at our discretion taking into consideration normal wear and tear and does not cover fires installed in outdoor settings.

## INSTALLATION NOTICE

- The installation of this appliance is only to be carried out by an authorised person in accordance with the Manufacturer's Instructions, local gas fitting regulations, AG601 installation code for gas burning appliances and any other relevant statutory regulations.
- In all cases the installation of this appliance shall meet the requirements as set out in AS5601/AG601.

- **NOTE: A slight smell may be apparent for the first few hours of use. This is due to the heat resistant paint curing. It is recommended to open windows in the room for the first lighting of the fire. In some instances a slight discolouration may occur inside the firebox. This is a normal condition and is not covered by warranty.**

## IMPORTANT SAFETY NOTICE

- DO NOT PLACE ARTICLES ON OR AGAINST THIS APPLIANCE.
- DO NOT USE OR STORE FLAMMABLE MATERIAL NEAR THE APPLIANCE.
- DO NOT SPRAY AEROSOLS IN THE VICINITY OF THIS APPLIANCE WHILST IT IS IN OPERATION.
- CARE MUST BE TAKEN TO ENSURE THAT ANY RETURN AIR REGISTER OR EXHAUST SYSTEM DOES NOT ADVERSLEY AFFECT THE OPERATION OF THE APPLIANCE OR DRAUGHT OF CHIMNEY OR FLUE.

## WARNING

This firebox has a naked flame, care should be taken when it is operating if children or the infirm are in close proximity. A safety screen is recommended if constant supervision is not possible.

## VENTILATION REQUIREMENTS

MODEL	SIZE	EFFECTIVE VENTILATION
ELEGANCE	850	32,000mm <sup>2</sup>
ELEGANCE	1000	50,000mm <sup>2</sup>
ELEGANCE	1800	72,000mm <sup>2</sup>
ELEGANCE	3300	144,000mm <sup>2</sup>
SIMPLICITY	850	32,000mm <sup>2</sup>
SIMPLICITY	1000	50,000mm <sup>2</sup>
SIMPLICITY	1800	72,000mm <sup>2</sup>
SIMPLICITY	3300	144,000mm <sup>2</sup>
PURE VISION	850	32,000mm <sup>2</sup>
PURE VISION	1000	50,000mm <sup>2</sup>
PURE VISION	1800	72,000mm <sup>2</sup>
PURE VISION	3300	144,000mm <sup>2</sup>

# CONTENTS

Contents .....	3
Data Plate .....	4
Zero Clearance Modular Installation & Dimensions .....	5
Dimensions Elegance 850 .....	6
Dimensions Elegance 1000 .....	7
Dimensions Elegance 1800 .....	8
Dimensions Elegance 3300 .....	9
Dimensions Simplicity 850 .....	10
Dimensions Simplicity 1000 .....	11
Dimensions Simplicity 1800 .....	12
Dimensions Simplicity 3300 .....	13
Dimensions Pure Vision 850 .....	14
Dimensions Pure Vision 1000 .....	15
Dimensions Pure Vision 1800 .....	16
Dimensions Pure Vision 3300 .....	17
Zero Clearance Modular Installation	
Elegance & Simplicity Timber Frame Installation .....	18
Pure Vision Timber Frame Installation .....	19
Installation Check List .....	20
Lighting/Testing and Failure Procedure .....	21
Flue Requirements (Standard) .....	22
Flue Requirements (Power Flue Kit) .....	23
Optional Power Flue .....	24
Introduction .....	24
Installation .....	24
Motor Clearance .....	27
Frameout .....	28
Motor exploded view .....	28
Internal Motor .....	29
External Motor .....	30
Flue Terminations .....	31
Wiring Diagram .....	32
Troubleshooting Electronic Ignition and Power Flue System .....	33
Parts List .....	35
Trims & Marble Options .....	36
Real Flame contact information .....	40

## DATA PLATE (Affixed to the base of the unit for reference to gas pressure & consumption)

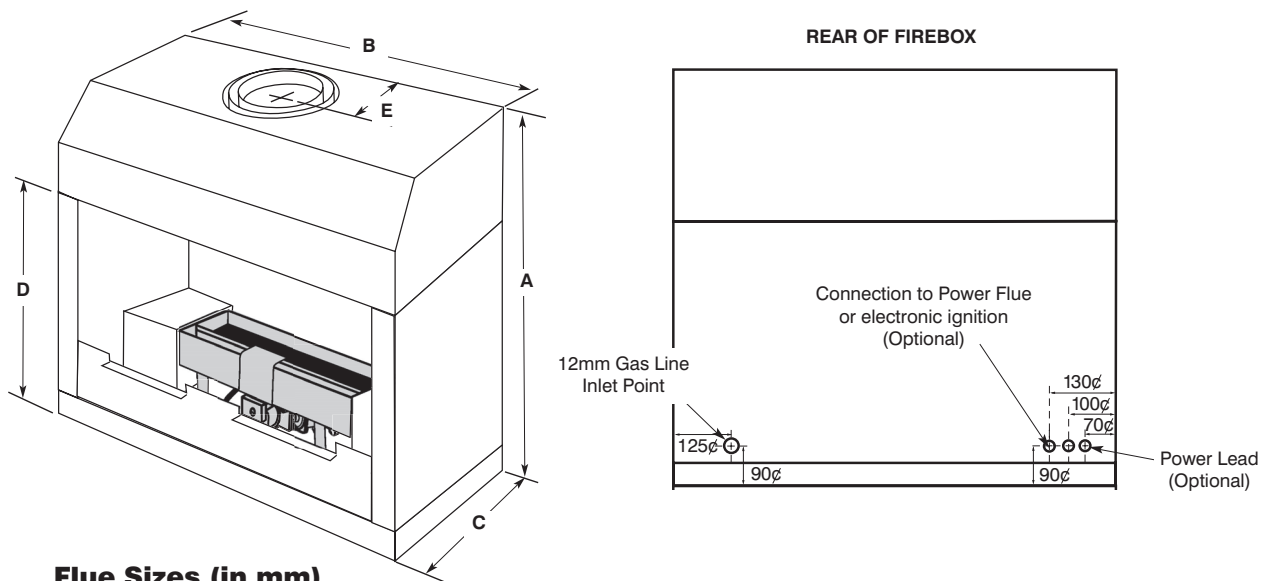
MODEL	SIZE	INJECTOR		Mj/Hr		TPP		APPROVAL No.	BURNER MODEL
		N.G	LPG	NG	LPG	NG	LPG		
ELEGANCE	850	2 x 2.2	2 x 1.1	37	31	0.08	2.60	6094	540
ELEGANCE	1000	2 x 2.5	2 x 1.2	39	36	0.43	2.55	6094	750
ELEGANCE	1800	4 x 2.8	4 x 0.95	63	52	0.70	2.54	GSCS20018	1400
ELEGANCE BOX 1	3300	4 x 2.8	4 x 0.95	63	52	0.70	2.54	GSCS20018	1400
ELEGANCE BOX 2		4 x 2.8	4 x 0.95	63	52	0.70	2.54	GSCS20018	1400
SIMPLICITY	850	2 x 2.2	2 x 1.1	37	31	0.08	2.60	6094	540
SIMPLICITY	1000	2 x 2.5	2 x 1.2	39	36	0.43	2.55	6094	750
SIMPLICITY	1800	4 x 2.8	4 x 0.95	63	52	0.70	2.54	GSCS20018	1400
SIMPLICITY BOX 1	3300	4 x 2.8	4 x 0.95	63	52	0.70	2.54	GSCS20018	1400
SIMPLICITY BOX 2		4 x 2.8	4 x 0.95	63	52	0.70	2.54	GSCS20018	1400
PURE VISION	850	2 x 2.2	2 x 1.1	37	31	0.08	2.60	6094	540
PURE VISION	1000	2 x 2.5	2 x 1.2	39	36	0.43	2.55	6094	750
PURE VISION	1800	4 x 2.8	4 x 0.95	63	52	0.70	2.54	GSCS20018	1400
PURE VISION BOX1	3300	4 x 2.8	4 x 0.95	63	52	0.70	2.54	GSCS20018	1400
PURE VISION BOX2		4 x 2.8	4 x 0.95	63	52	0.70	2.54	GSCS20018	1400

# ZERO CLEARANCE MODULAR INSTALLATION

- The Firebox is designed to be installed into a new frame out as shown on pages 18 & 19.
- The fire can be installed at ground level or raised to what ever height is required providing the flue length is 2.7 meters or more.
- The firebox can sit directly onto a wooden surface.
- The Firebox requires twin skin flue with an AGA approved cowl (or optional Power Flue – refer pages 23 to 34)
- The control valve on the Firebox is an electronic ignition system and as such, electrical work is required.

## Overall Dimensions (in mm)

MODEL	A	B	C	D	E
850	920	950	450	570	155
1000	920	1100	450	570	155
1800	1140	1900	450	500	190
3300	1135	3400	450	500	190



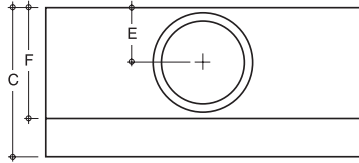
## Flue Sizes (in mm)

MODEL	Size	Inner	Outer
ELEGANCE	850	200	250
ELEGANCE	1000	250	300
ELEGANCE	1800	300	350
ELEGANCE	3300	300 x2	350 x2
SIMPLICITY	850	200	250
SIMPLICITY	1000	250	300
SIMPLICITY	1800	300	350
SIMPLICITY	3300	300 x2	350 x2
PURE VISION	850	200	250
PURE VISION	1000	250	300
PURE VISION	1800	300	350
PURE VISION	3300	300 x2	350 x2
POWER FLUE (optional)	BEFORE MOTOR	150	200
	AFTER MOTOR	150	200

# DIMENSIONS

## Elegance 850

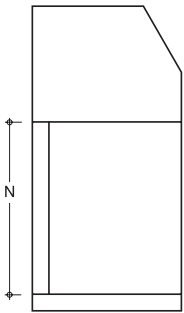
PLAN



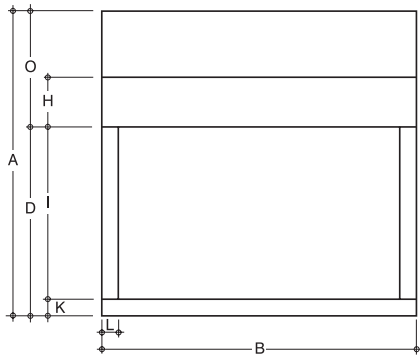
A	B	C	D	E	F	G	H
920	950	450	570	165	335	230	150

I	J	K	L	M	N	O
520	-	50	50	50	520	350

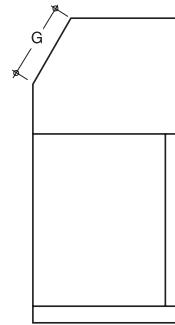
LHS



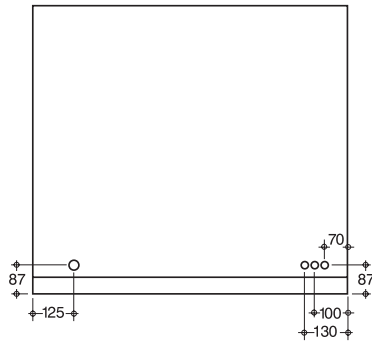
FRONT



RHS

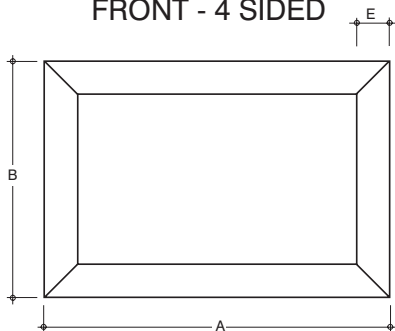


REAR

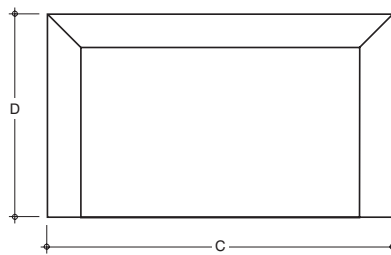


## Elegance 850 Trim

FRONT - 4 SIDED



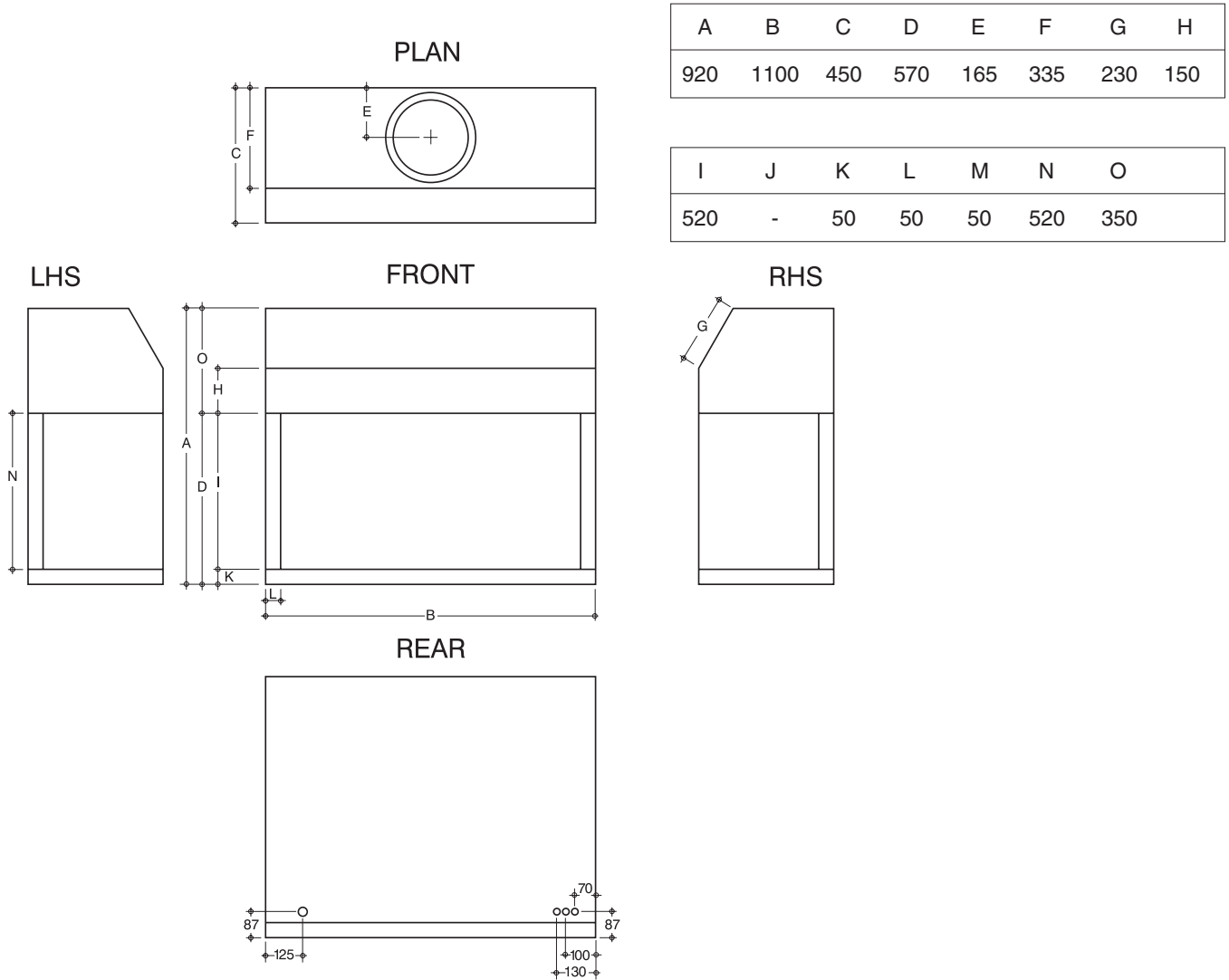
FRONT - 3 SIDED



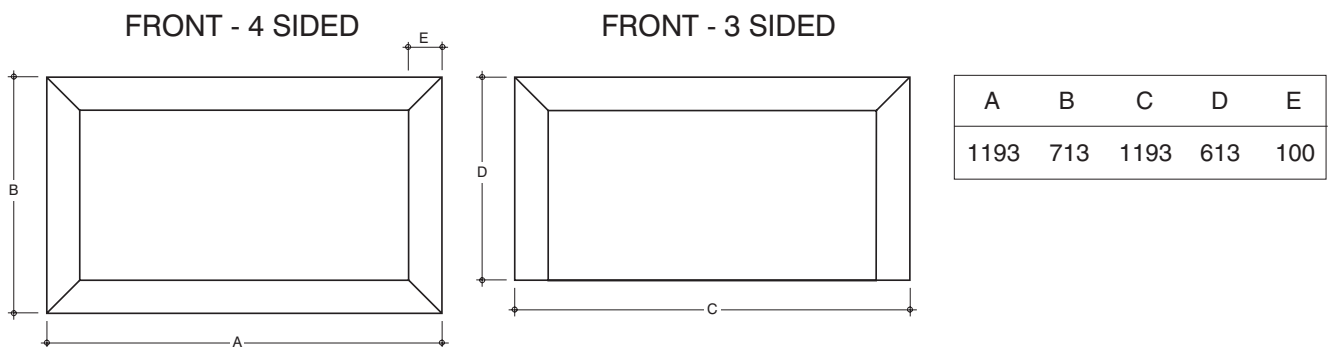
A	B	C	D	E
1043	713	1043	613	100

# DIMENSIONS

## Elegance 1000



## Elegance 1000 Trim

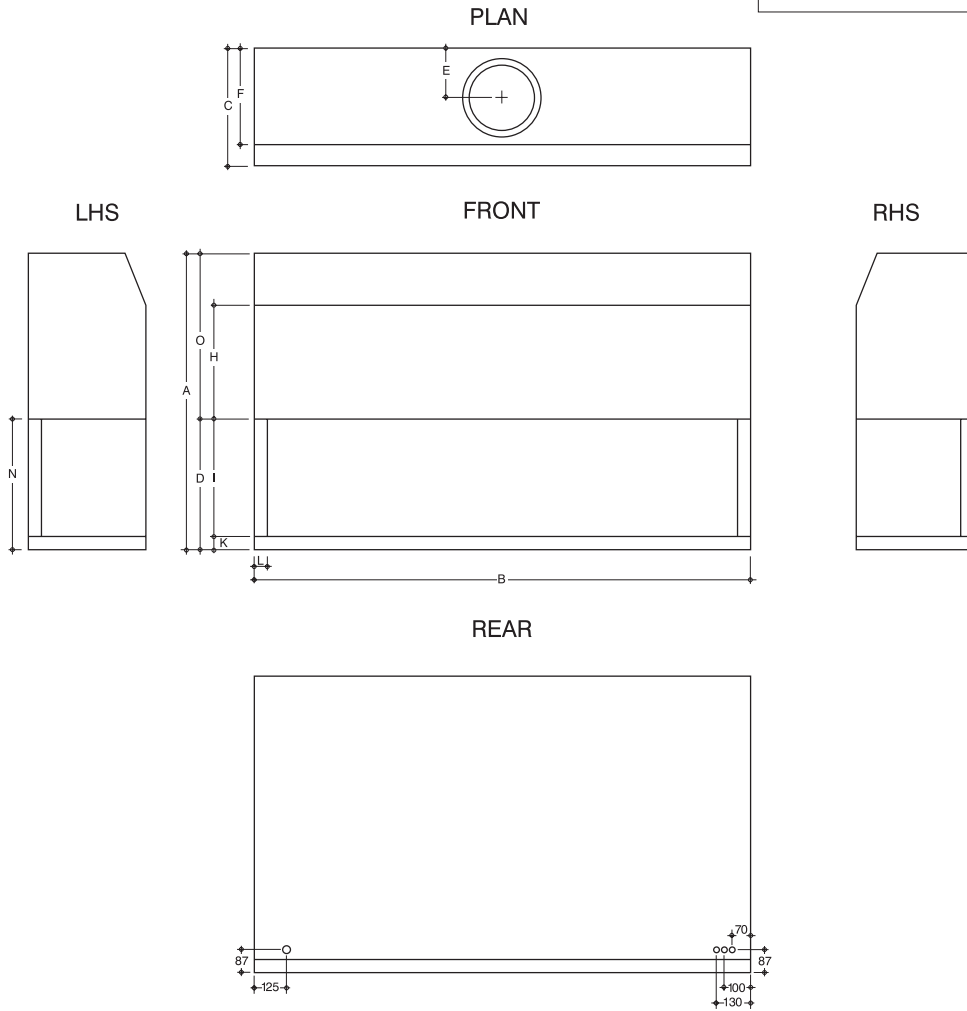


# DIMENSIONS

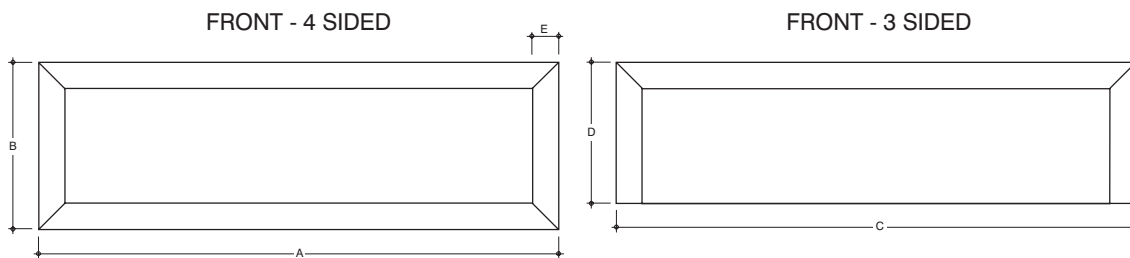
## Elegance 1800

A	B	C	D	E	F	G	H
1135	1900	450	500	190	370	215	435

I	J	K	L	M	N	O
450	-	50	50	50	450	635



## Elegance 1800 Trim



A	B	C	D	E
1990	640	1990	540	100

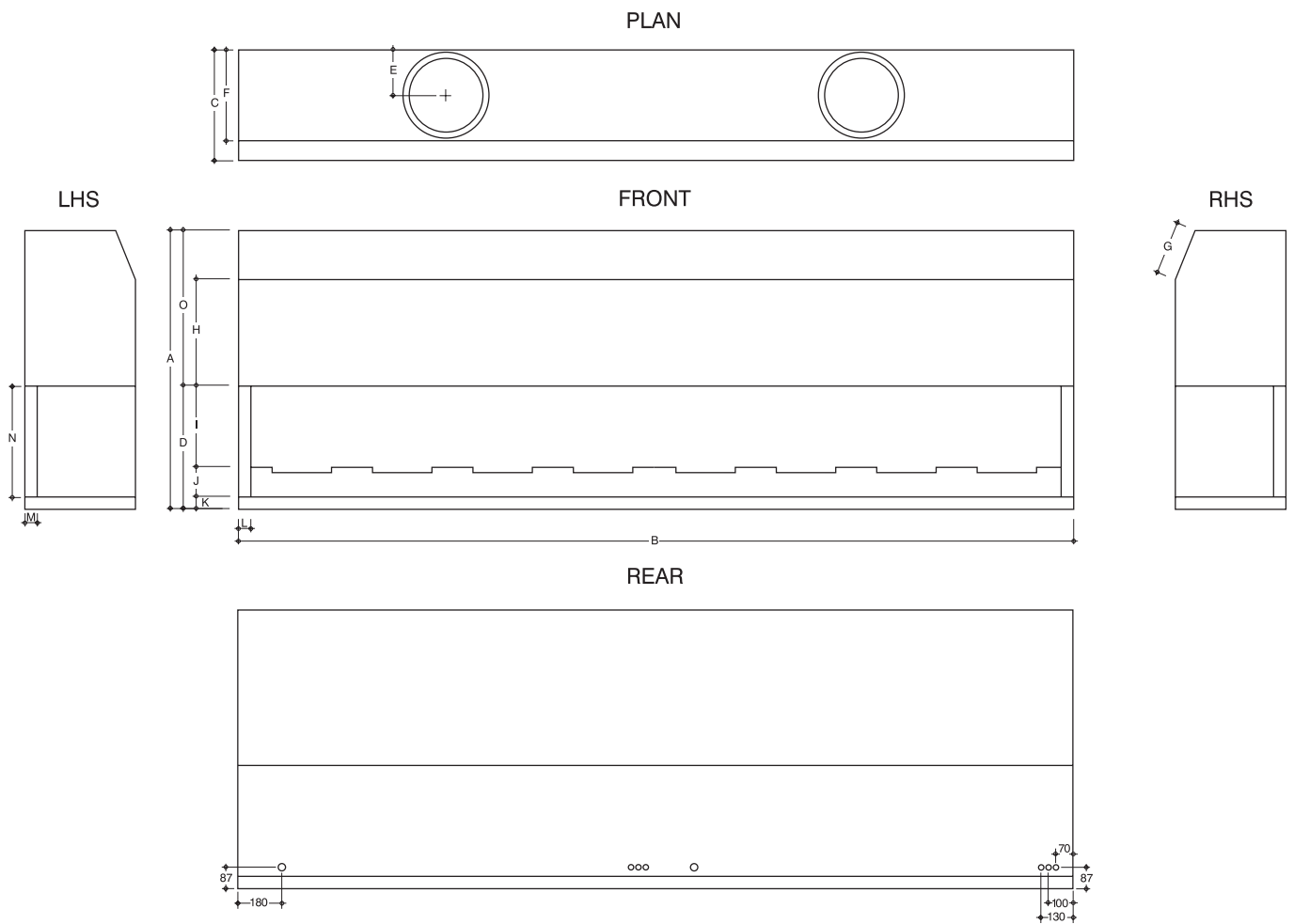


# DIMENSIONS

## Elegance 3300

A	B	C	D	E	F	G	H
1135	3400	450	500	190	370	215	435

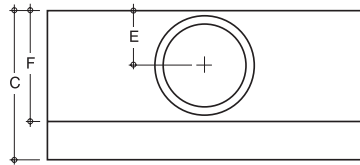
I	J	K	L	M	N	O
330	120	50	50	50	450	635



# DIMENSIONS

## Simplicity 850

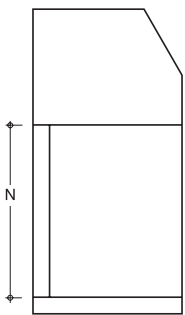
PLAN



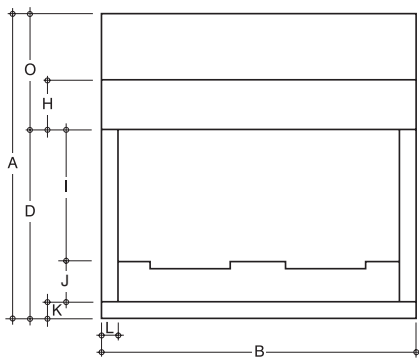
A	B	C	D	E	F	G	H
920	950	450	570	165	335	230	150

I	J	K	L	M	N	O
400	120	50	50	50	520	350

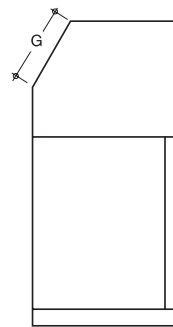
LHS



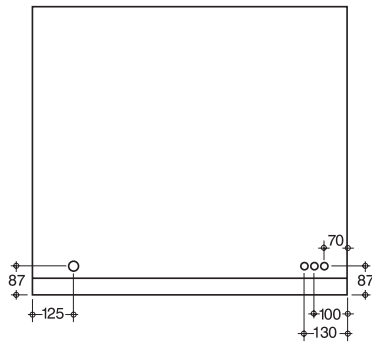
FRONT



RHS



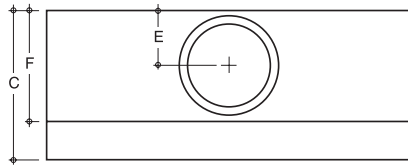
REAR



# DIMENSIONS

## Simplicity 1000

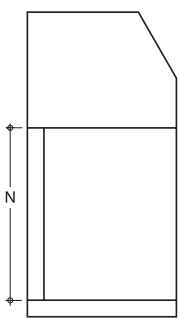
PLAN



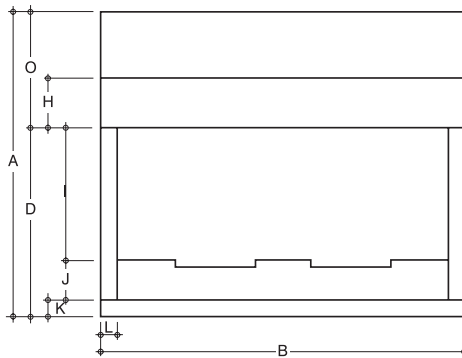
A	B	C	D	E	F	G	H
920	1100	450	570	165	335	230	150

I	J	K	L	M	N	O
400	120	50	50	50	520	350

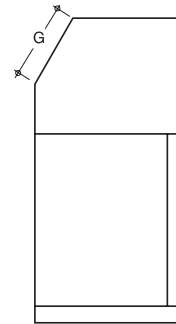
LHS



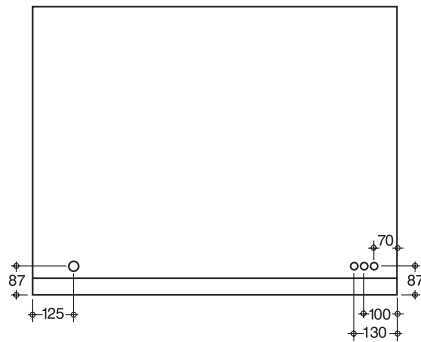
FRONT



RHS



REAR

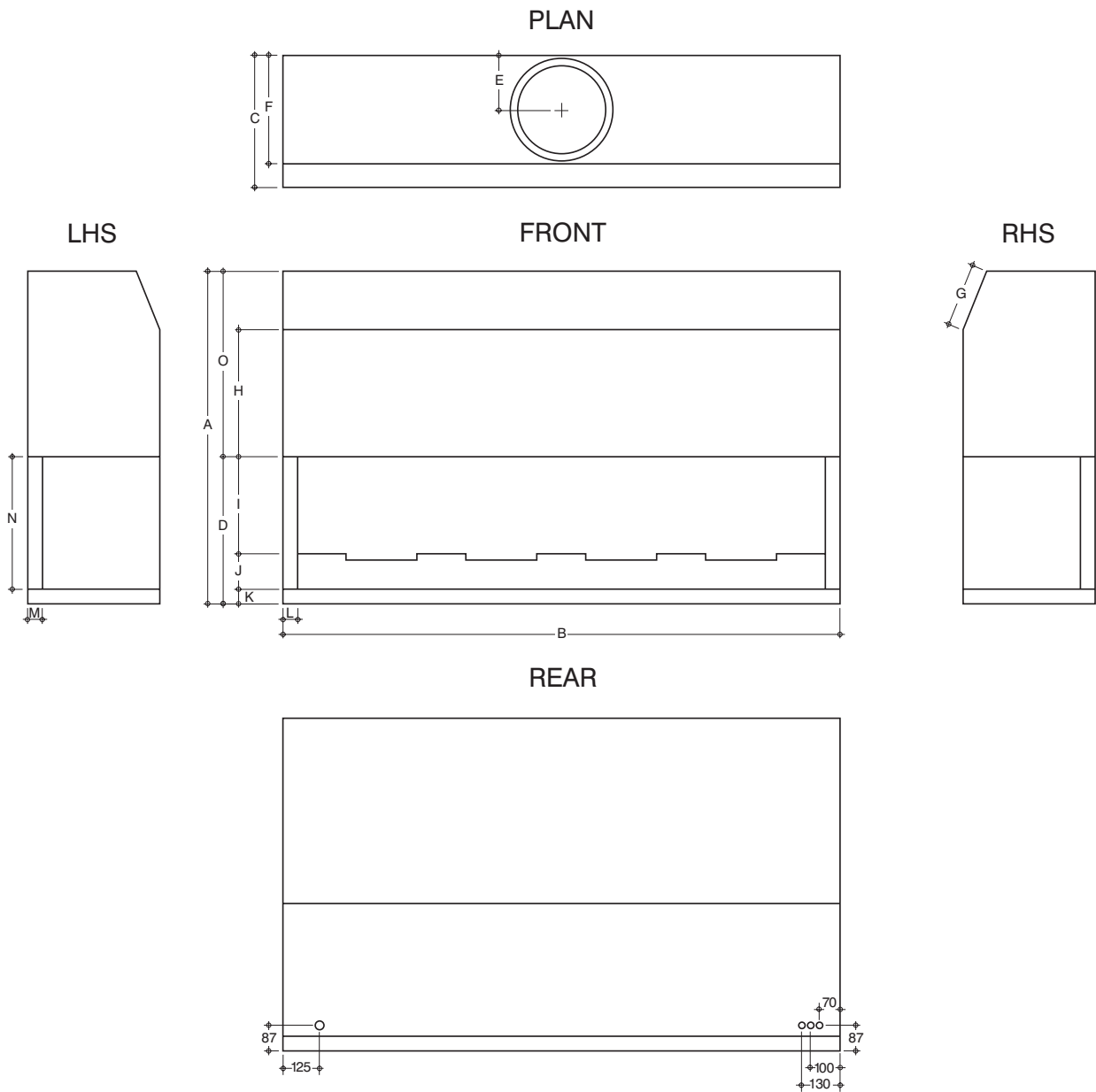


# DIMENSIONS

## Simplicity 1800

A	B	C	D	E	F	G	H
1135	1900	450	500	190	370	215	435

I	J	K	L	M	N	O
330	120	50	50	50	450	635

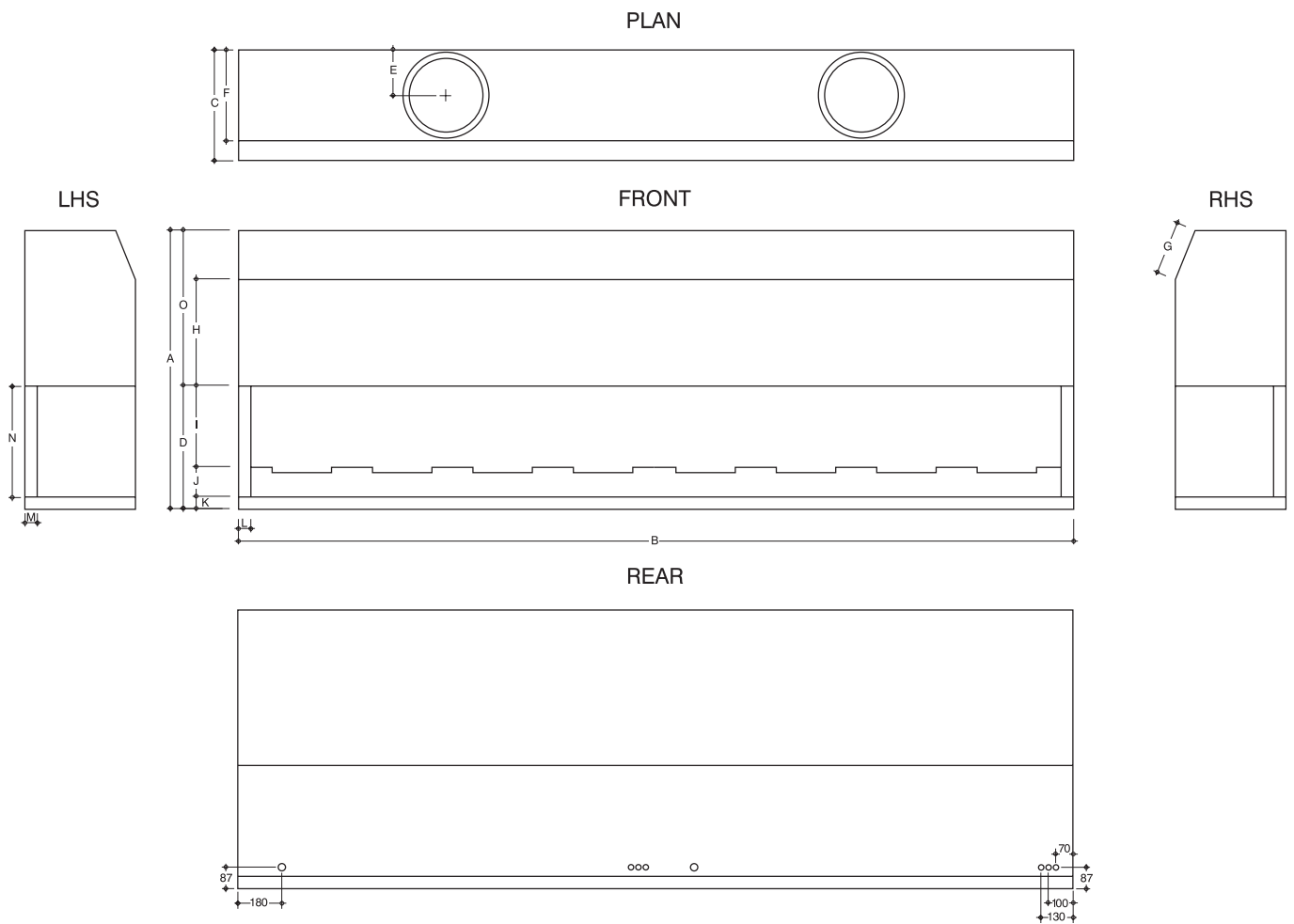


# DIMENSIONS

## Simplicity 3300

A	B	C	D	E	F	G	H
1135	3400	450	500	190	370	215	435

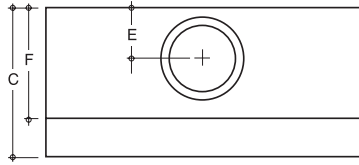
I	J	K	L	M	N	O
330	120	50	50	50	450	635



# DIMENSIONS

## Pure Vision 850

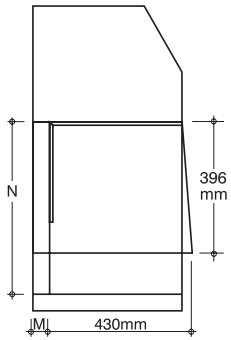
PLAN



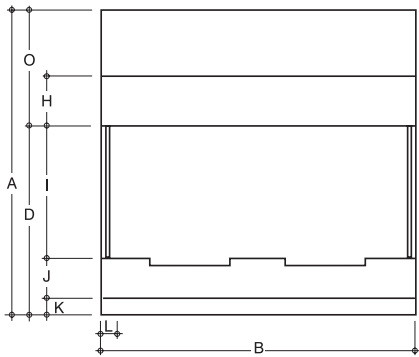
A	B	C	D	E	F	G	H
920	950	450	570	155	335	230	150

I	J	K	L	M	N	O
400	120	50	50	50	520	350

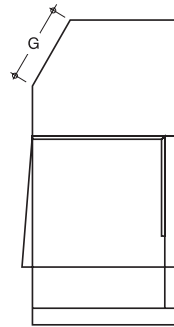
LHS



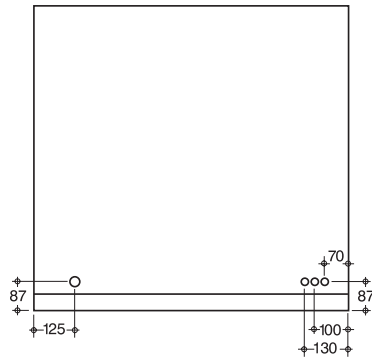
FRONT



RHS



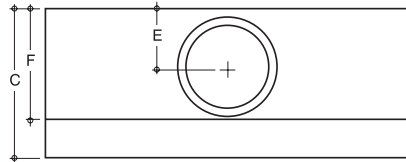
REAR



# DIMENSIONS

## Pure Vision 1000

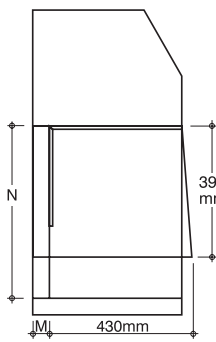
PLAN



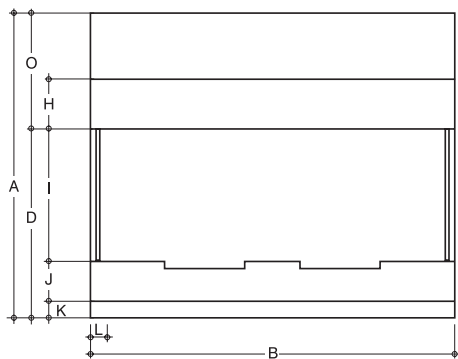
A	B	C	D	E	F	G	H
920	1100	450	570	185	335	230	150

I	J	K	L	M	N	O
400	120	50	50	50	520	350

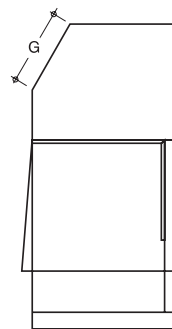
LHS



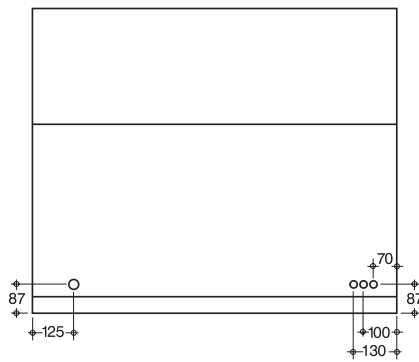
FRONT



RHS



REAR



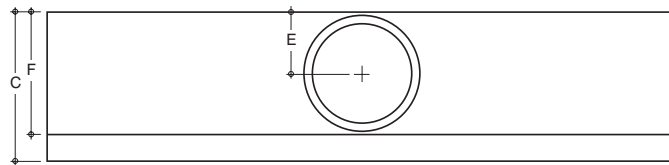
# DIMENSIONS

## Pure Vision 1800

A	B	C	D	E	F	G	H
1135	1900	450	500	190	370	215	435

I	J	K	L	M	N	O
330	120	50	50	50	450	635

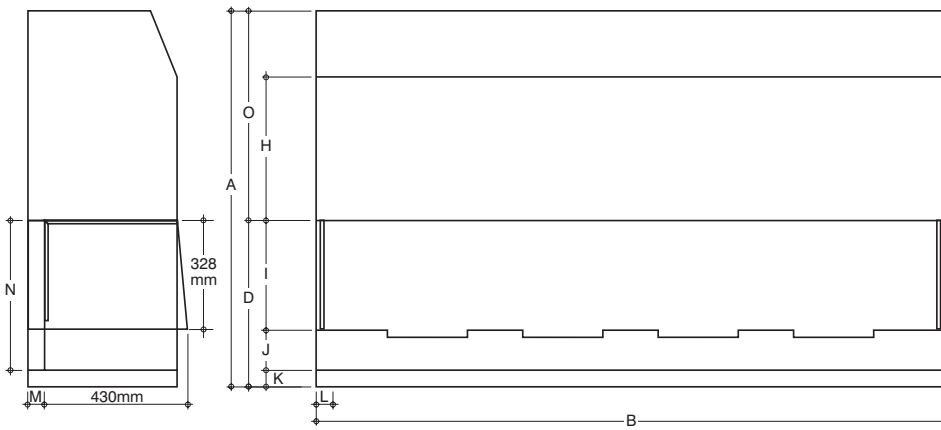
PLAN



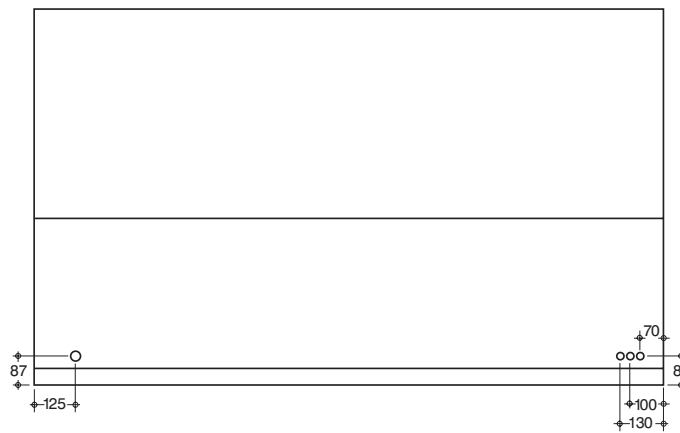
LHS

FRONT

RHS



REAR



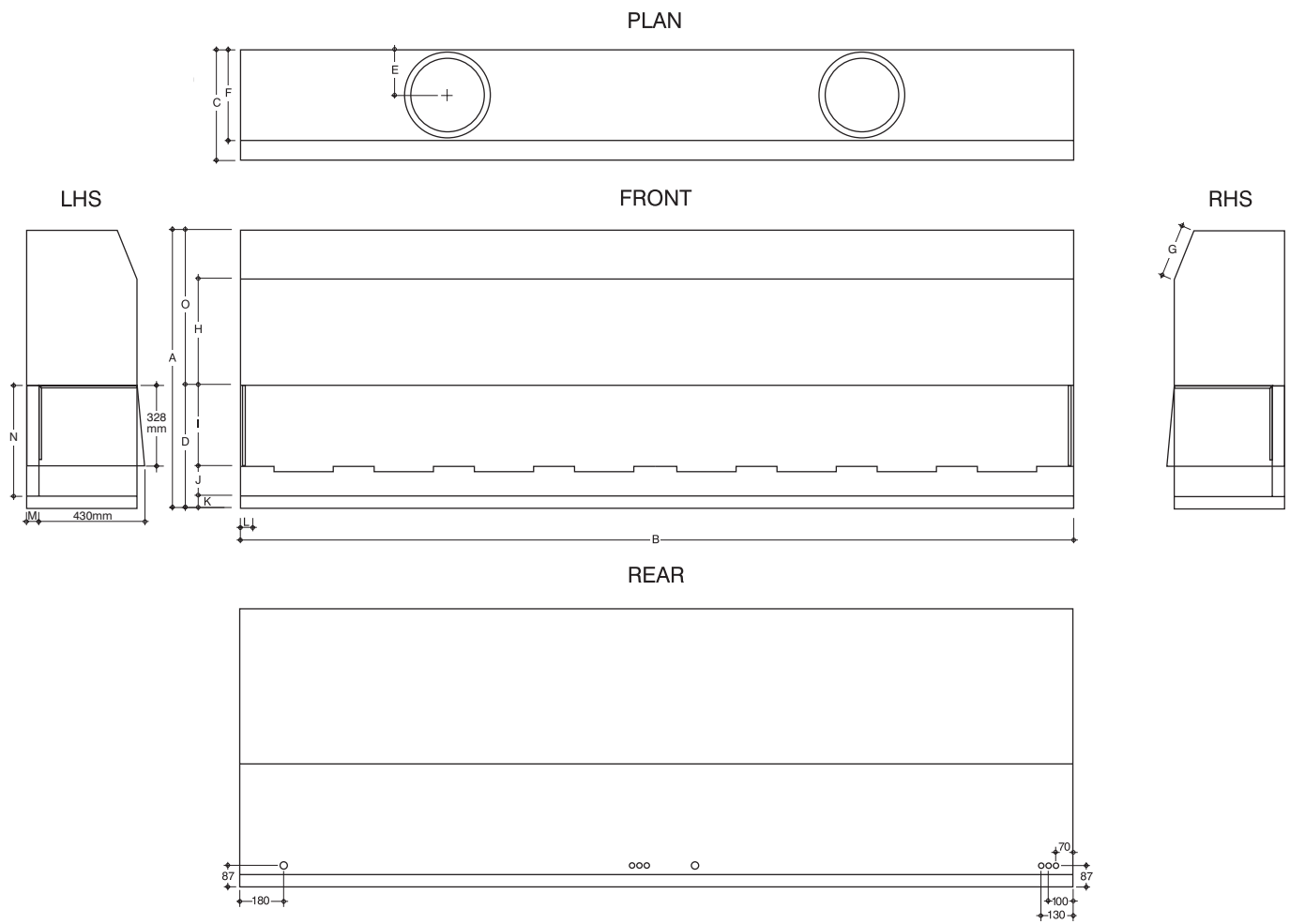


# DIMENSIONS

## Pure Vision 3300

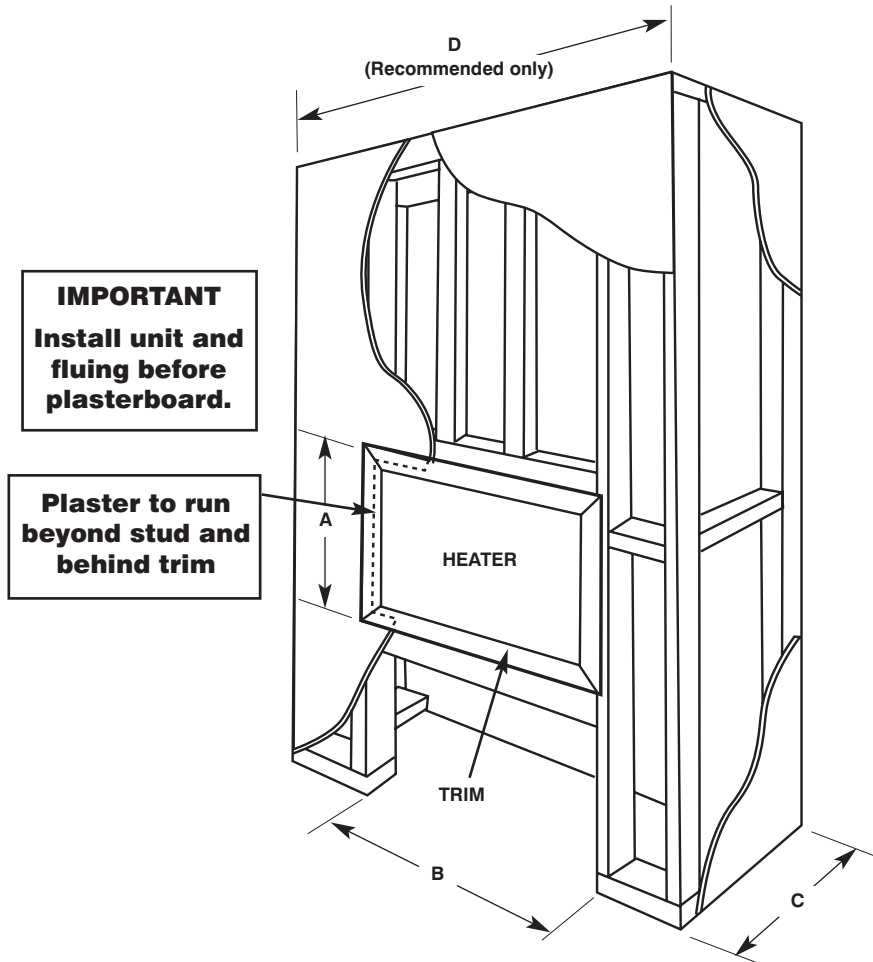
A	B	C	D	E	F	G	H
1135	3400	450	500	190	370	215	435

I	J	K	L	M	N	O
330	120	50	50	50	450	635



# ZERO CLEARANCE MODULAR INSTALLATION - ELEGANCE & SIMPLICITY

## Timber Frame Installation



### Frameout Dimensions (in mm)

MODEL	A	B	C	D
ELEGANCE 850	1000	1000	475	2100
ELEGANCE 1000	1000	1150	475	2100
ELEGANCE 1800	1150	1950	475	3000
ELEGANCE 3300	1235	3450	475	3600
SIMPLICITY 850	1000	1000	475	2100
SIMPLICITY 1000	1000	1150	475	2100
SIMPLICITY 1800	1150	1950	475	3000
SIMPLICITY 3300	1235	3450	475	3600

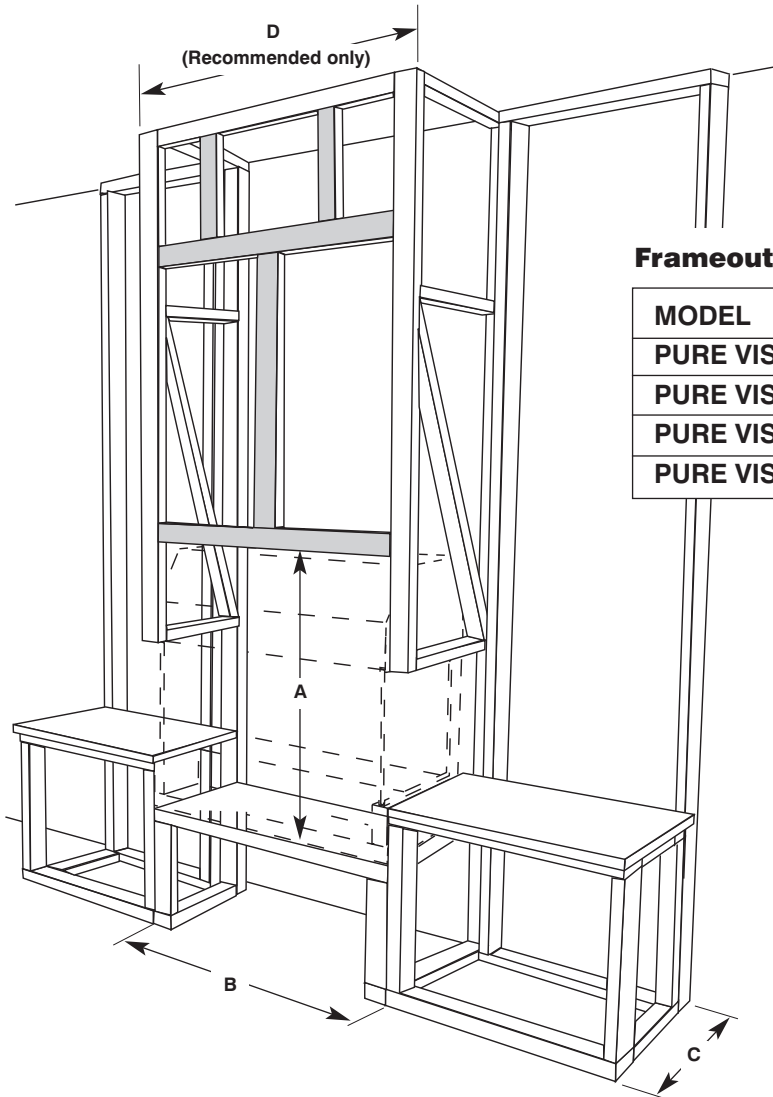
**NOTE:** All Modular fires and flue kits are to be installed PRIOR to plasterboard. Plasterboard is to be run past stud frame and up to fire opening either terminating in square edge, or for Simplicity and Elegance a 3 or 4 sided trim finish.

### CLEARANCES FROM COMBUSTIBLES

Floor	0 mm
Sides	25 mm
Top	100 mm
Flue Outer	25 mm

# ZERO CLEARANCE MODULAR INSTALLATION - PURE VISION

## Timber Frame Installation



**Frameout Dimensions (in mm)**

MODEL	A	B	C	D
PURE VISION 850	1000	1000	475	2100
PURE VISION 1000	1000	1150	475	2100
PURE VISION 1800	1150	1950	475	3000
PURE VISION 3300	1235	3450	475	3600

**NOTE:** All Modular fires and flue kits are to be installed PRIOR to plasterboard. Plasterboard is to be run past stud frame and up to fire opening either terminating in square edge, or for Simplicity and Elegance a 3 or 4 sided trim finish.

### CLEARANCES FROM COMBUSTIBLES

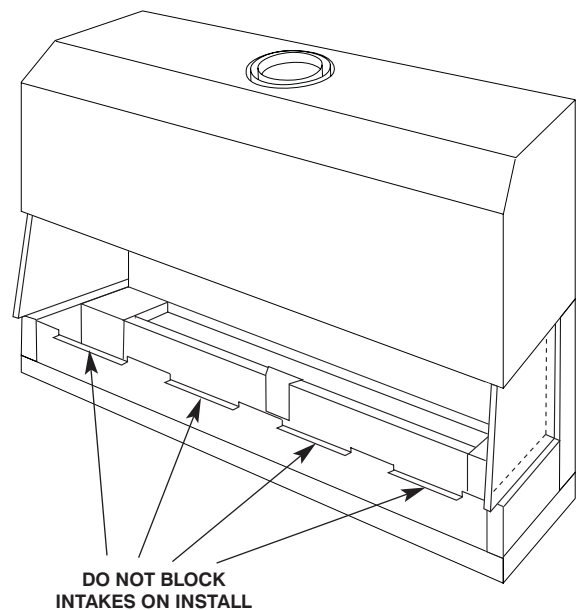
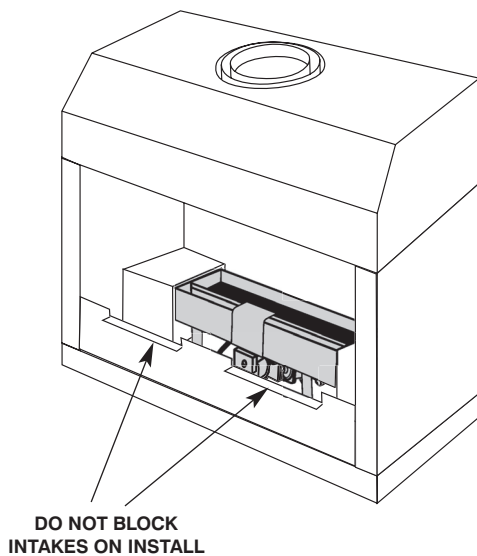
Floor	0 mm
Sides	25 mm
Top	100 mm
Flue Outer	25 mm

# ZERO CLEARANCE MODULAR INSTALLATION

## Installation Procedure

- TICK BOXES
- Check frame out has been constructed correctly and has not been plastered.
  - Check frame out and structure above is clear of any structures that may impede the flue run. If the flue needs to be off set with 45 deg bends, the offset length can be no more than 20% of the total flue run. It is recommended that after the last bend at least two full lengths of flue are added in the vertical.
  - Ensure an adequately sized gas connection is available within the frame out, a 15mm gas copper pipe is to be provided into the firebox. An access hole is provided in the back of the firebox. A 500mm tail is required into the firebox to allow for connection to the burner.
  - Position the unit ensuring the wiring loom and gas pipe are accessible.
  - Connect the twin skin flue (or Optional Power Flue if supplied).
  - Install an AGA approved gas cowl ensuring the termination meets all relevant code requirements.
  - Connect the gas line to the burner connection using the 15mm flared copper union (supplied).
  - Connect the wiring terminals to the ignition pack as shown below.  
Note: Do not locate the switch further than 6 meters from the firebox.
  - Place the burner surround or optional front or marble base over the burner.
  - Place the coals or optional pebbles randomly on the ceramic blanket. If coals and logs option is supplied, place logs on top of coals randomly.

**IMPORTANT! Only ceramics supplied by Real Flame are to be used.**



## LIGHTING MAIN BURNER

### FOR YOUR SAFETY READ BEFORE LIGHTING

- Before igniting the fire, check for gas leaks.
- Use only the ignition components supplied.
- Do not use this appliance if any part has been under water. Immediately call a qualified service technician to inspect the appliance and replace any part of the control system and any gas control that has been under water.

## LIGHTING INSTRUCTIONS

1. STOP! Read the safety information before proceeding.
2. Turn on the remote wall switch.
  - If the fire will not stay lit after several tries turn the switch to “OFF” and call your service technician or gas supplier.

## TO TURN OFF GAS TO APPLIANCE

1. Turn off the remote wall switch.

## TESTS TO BE CARRIED OUT BY INSTALLER

1. Carry out a smoke test to ensure the fireplace is drawing.
2. Test that the Test Point Pressures are correctly set.
3. Check that there are no gas leaks form any of the fittings.
4. Explain to the customer how the unit operates and how to turn it on and off.

## FAILURE PROCEDURE

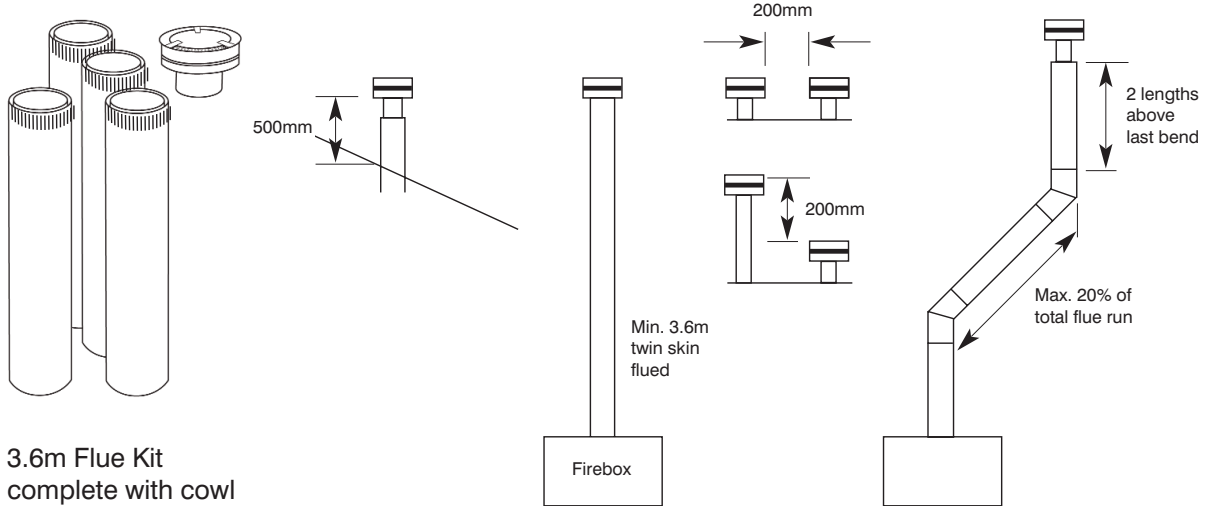
**If when the wall switch is turned to the “ON” position and the fire fails to ignite, check the following:**

1. Ensure that the wiring terminals are not loose.
2. Test that the inlet and working pressures are both correct.

# FLUE REQUIREMENTS

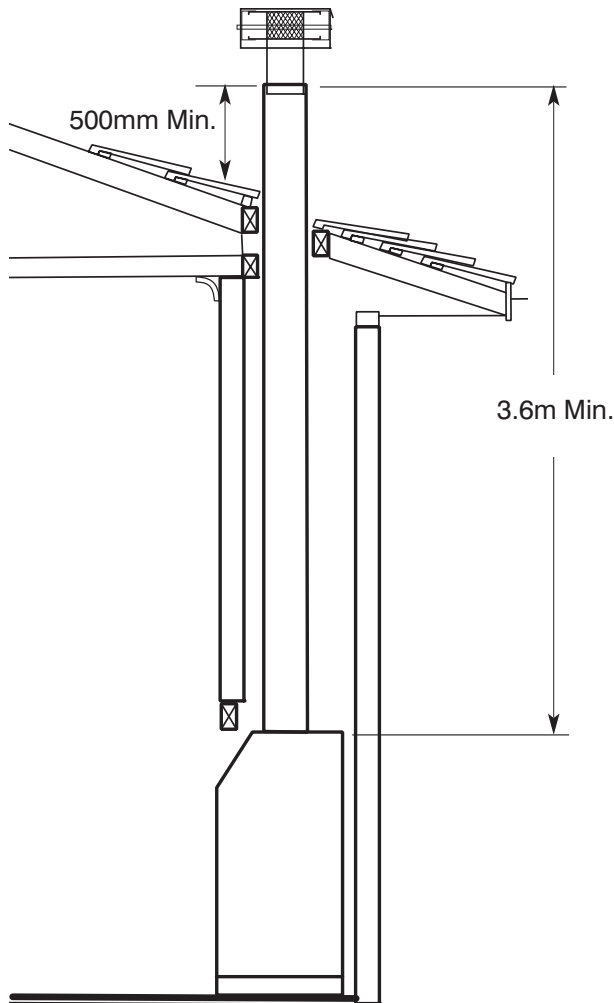
## Natural Draught

The standard natural draught flue kit consists of 4 x 900mm lengths of twin skin flue (refer to page 5 for correct sizing) and an AGA approved cowl.



3.6m Flue Kit complete with cowl

These notes must be read in conjunction with AGA code 601.



A minimum of 3.6m flue is required to protrude 500mm above roof line.

Flue can be offset with two 45° bends no more than 20% of overall height of flue.

### CLEARANCES

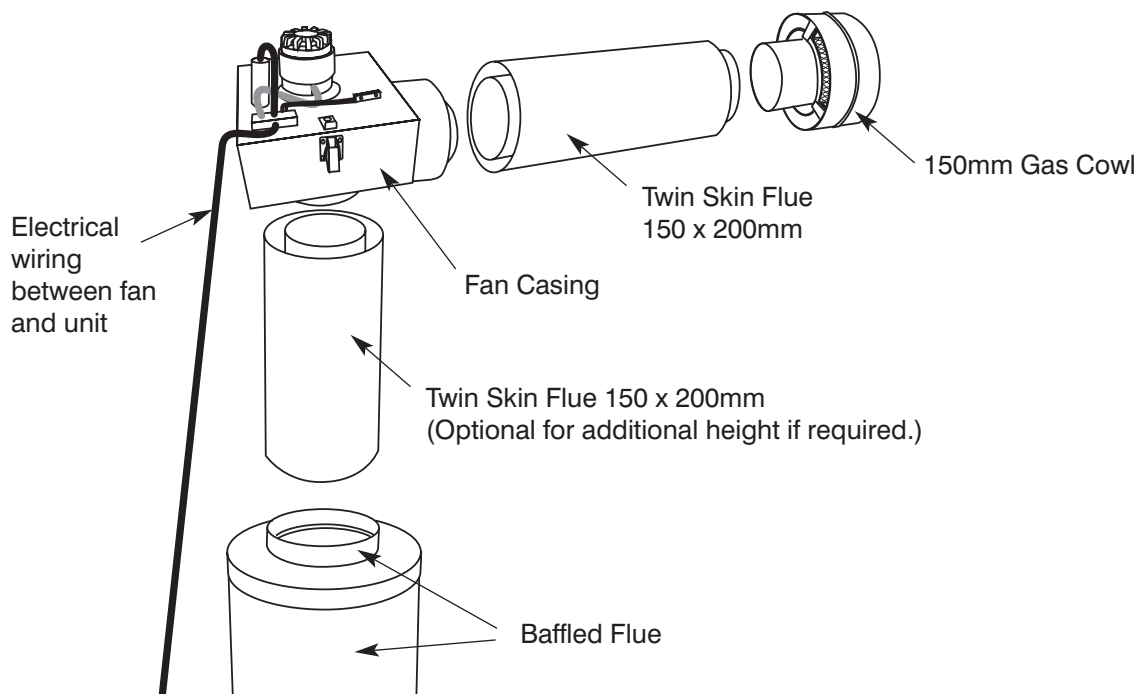
Floor	0 mm
Sides	25 mm
Back	25 mm
Top	100 mm
Flue Outer	25 mm

## FLUE REQUIREMENTS

### Power Flue Kit (optional – refer to pages 13 to 19 for details)

The standard Power Flue Kit consists of ;

- 1 x Power Flue Fan
- 1 x Power Flue Motor
- 1 x Control Module
- 1 x Electronic Ignition Pack
- 1 x Baffle
- 1 x Pressure Differential Switch
- 1 x Loom
- 1 x Termination Cowl (horizontal or vertical)



## OPTIONAL POWER FLUE

*THE INSTALLATION MANUAL OF THE REAL FLAME POWER FLUE SYSTEM IS TO BE READ IN CONJUNCTION WITH THE INSTALLATION MANUAL OF THE REAL FLAME PRODUCT BEING USED. THE DESIGN OF THE REAL FLAME POWER FLUE SYSTEM IS SUBJECT TO COPYRIGHT AND ALL INFRINGEMENTS WILL BE VIGOROUSLY PURSUED.*

### **Introduction - the Power Flue System**

#### **POWER FLUE DESIGN**

A 'flue' using a fan to remove or assist in removing combustion products from an appliance, is known as a 'power flue'.

#### **POWER FLUE APPLICATION**

A power flue application can be used to enable a client to have a decorative fire with a horizontal flue run or a vertical flue run where flue space is inadequate for the normal flue.

### **Installation Instructions**

#### **VENTILATION REQUIREMENTS**

Air supply to the unit is to be in accordance with ventilation Clause 5.4 of the Gas Code 601. Ventilation requirements do not change by using a power flue.

All Real Flame installation manuals have the ventilation areas clearly defined for each product.

#### **ACCESS TO POWER FLUE MOTOR**

Access must be provided to the flue motor, this access **MUST** be at least 400mm x 400mm. There **MUST** be a minimum clearance of 250mm between the top of the motor and any fixed object i.e. ceiling or stud work. This is so the top of the fan box can be removed.

#### **WIRING OF THE POWER FLUE**

All wiring for the power flue is carried out at the factory and plug connectors are fitted for easy installation. The power supply for the power flue is via a 3-pin plug at the rear of the firebox that can be plugged into a power socket within the cavity.

#### **ISOLATION SWITCH**

If the power point is within a cavity an isolation switch accessible from outside the cavity must be provided.

#### **WIRING CLEARANCES**

Wiring must at all times have a clearance of at least 150mm from the flue.

#### **FAN FAILURE SENSING DEVICE**

All Real Flame Power Flue systems are fitted with a sensing device within the unit to ensure that, in the event of flow failure, the safety shut off valve within the module will go into lockout and shut off the gas supply to the unit.

#### **'LOCKOUT'**

'Lockout' is the term used when the module in the unit senses a fault. When a fault is detected by the module it will shut off the gas and go into lockout. If this occurs contact the manufacturer.



## OPTIONAL POWER FLUE (continued)

### Installation Instructions (continued)

#### LOCATION OF FLUE TERMINAL FOR POWER FLUE

Listed below are the minimum clearances required for fan-assisted terminations:

1. Below eaves, balconies and other projections. ....200mm
2. From the ground, above a balcony or other surface. ....300mm
3. From a return wall or external corner.....300mm
4. From a Gas meter. ....1000mm
5. From an electricity meter or fuse box. ....500mm
6. From a drainpipe or soil pipe. ....75mm
7. Horizontally from any building structure or obstruction facing a terminal.....500mm
8. From any other flue terminal. Cowl, or combustion air intake. ....300mm
9. Horizontally from any openable window, door, non-mechanical air inlet,  
or any other opening into a building with the exception of sub floor ventilation. ....300mm
10. From a mechanical air inlet including a spa blower.....1000mm
11. Vertically below an openable window, non-mechanical air inlet,  
or any other opening into a building with the exception sub floor ventilation. ....500mm

#### ELECTRICAL

**SHOULD THE SUPPLY FLEX AT THE BACK OF THE FIREBOX BE DAMAGED, A SPECIALLY PREPARED FLEX IS REQUIRED. FOR REPLACEMENT CONTACT THE MANUFACTURER.**

**THE ON/OFF WALL SWITCH MUST NEVER BE ATTACHED TO A METAL FRAME.**

#### WARNING

**Whenever servicing the power flue system, always turn off the electrical power supply and close the manual gas control valve.**

#### IMPORTANT INFORMATION

In addition to the instructions in this manual all national, state and local regulations must be adhered to. These include but are not limited to:

- Australian Standards AS3000 - Electrical Installation.
- Australian Standards AS5601 - Gas Installation.
- Local Gas and Electrical Authority Regulations.
- Municipal Building Codes.

The power flue should be serviced every 12 months by an authorised technician. If repairs are needed an authorised technician must carry them out.

#### FITTING THE MOTOR

The power flue motor has a 150mm spigot and a twin skin spigot of 150mm & 200mm. The single spigot fits over the vertical flue and the 150mm/200mm flue attaches to the horizontal spigot.

## OPTIONAL POWER FLUE (continued)

### Installation Instructions (continued)

#### FLUE SIZE

All flue prior to the motor is 150mm/200mm twin skin and all flue after the motor is 150mm/200mm twin skin.

#### HORIZONTAL FLUE RUN

The maximum length of horizontal flue run is to be 13.5 metres with a maximum of four (4) bends; these bends can be 45° or 90°. **The horizontal flue run is to have a grade downwards from the motor to the termination.**

#### VERTICAL FLUE RUN

The minimum vertical flue run is 900mm from the top of the firebox (1500mm from the floor). If a longer vertical run is required twin skin flue 150mm & 200mm can be added between the muffler top and the fan. The flue can be cut to the required height.

#### FLUE CLEARANCES

All flue clearances are as per the requirements listed in the heater specifications.

#### TERMINATION

The termination to be used for all horizontal installations is to be 150mm cowl that has been approved as a horizontal cowl.

## Installation of Power Flue Kit

#### POWER FLUE MUFFLER

The power flue muffler has a spigot at each end. The end that attaches to the firebox has a spigot equivalent to the inner flue spigot diameter of the firebox, the top of the muffler has a 150mm spigot which the motor fits to, or the 150/200 twin skin flue if required. The flow arrow on the muffler is to be pointing up.

#### WIRING (see wiring diagram page 32)

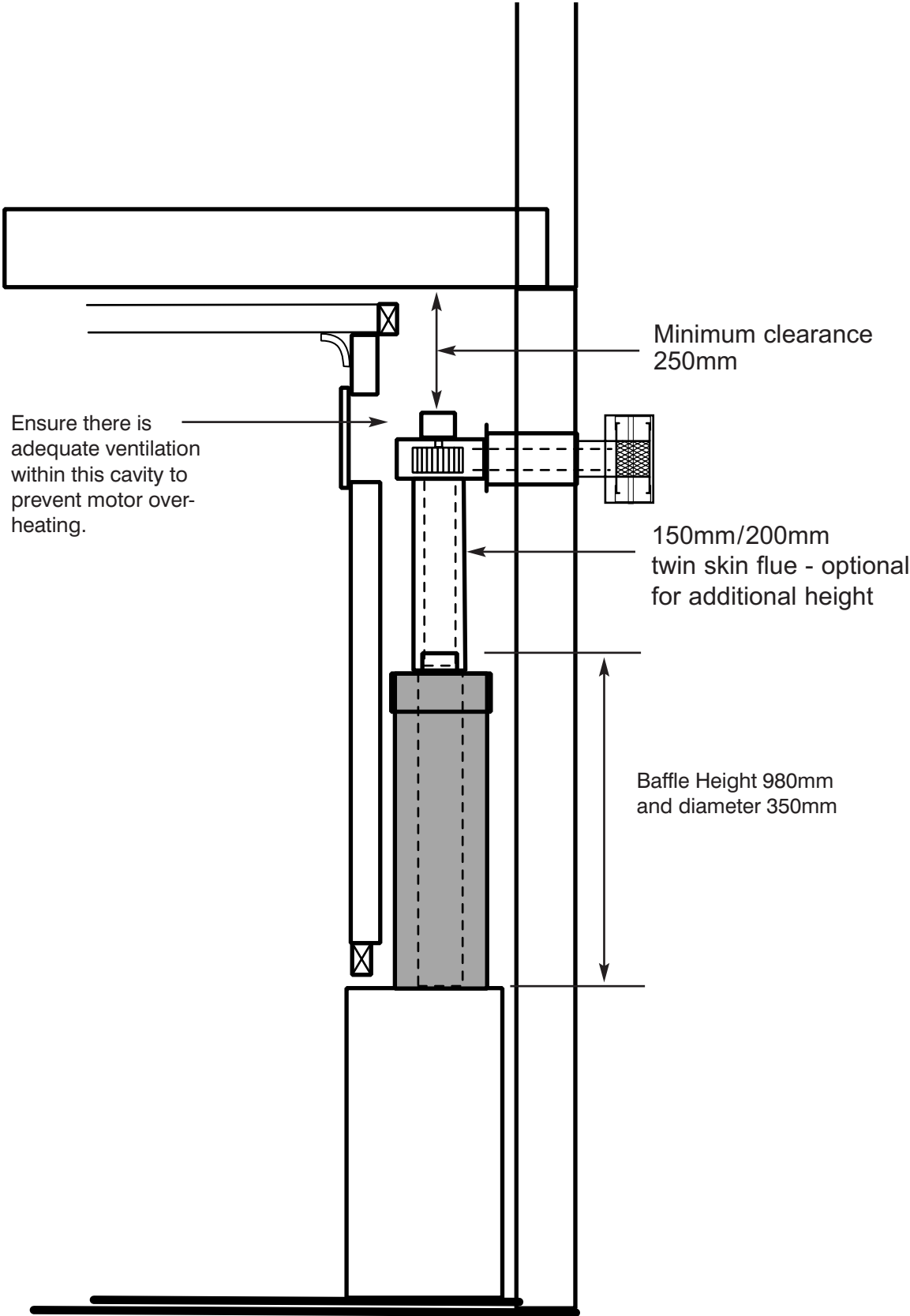
A 3 metre lead is supplied with the power flue, this lead has a different connection on each end, one end is plugged into the connection on the left hand side of the firebox and the other end is to be plugged into the fan. The wire coming from the rear of the firebox with the standard 3-pin plug attached is to be plugged into a power point. A single gang wall switch is also supplied attached to the 3 metres of lead; this wall switch is to be attached at a location accessible to the client. No other wiring is required.

#### SERVICING OF THE POWER FLUE MOTOR

The Real Flame Power Flue motor is designed so as to make servicing the motor a simple task. The power lead connected to the motor is to be disconnected (unplugged) and the two side clips are to be undone, the fan motor will then lift out for servicing. The fan Motor box connected to the flue does not have to be disconnected from the flue.

# OPTIONAL POWER FLUE (continued)

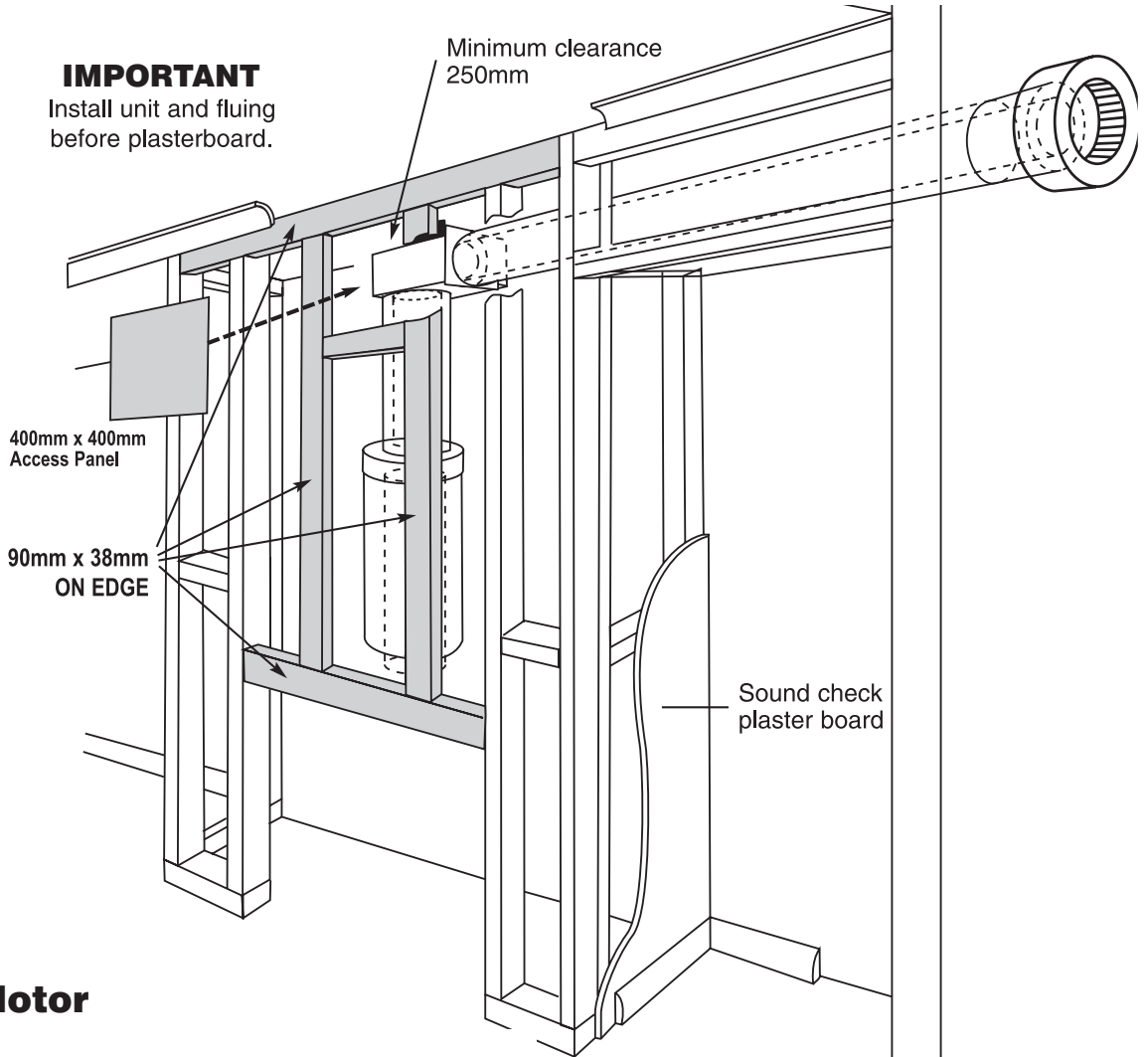
## Motor Clearance



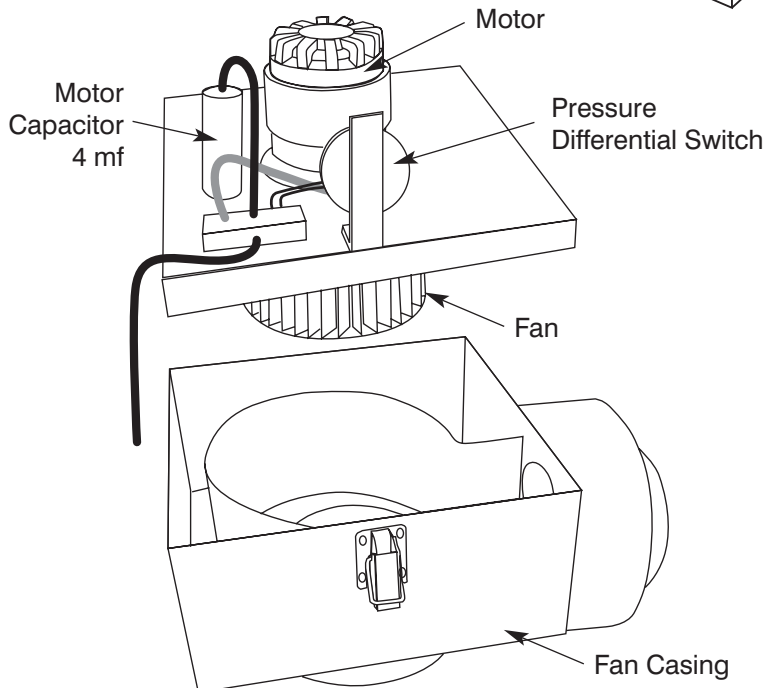
# OPTIONAL POWER FLUE (continued)

## Frameout

**IMPORTANT**  
Install unit and fluing  
before plasterboard.

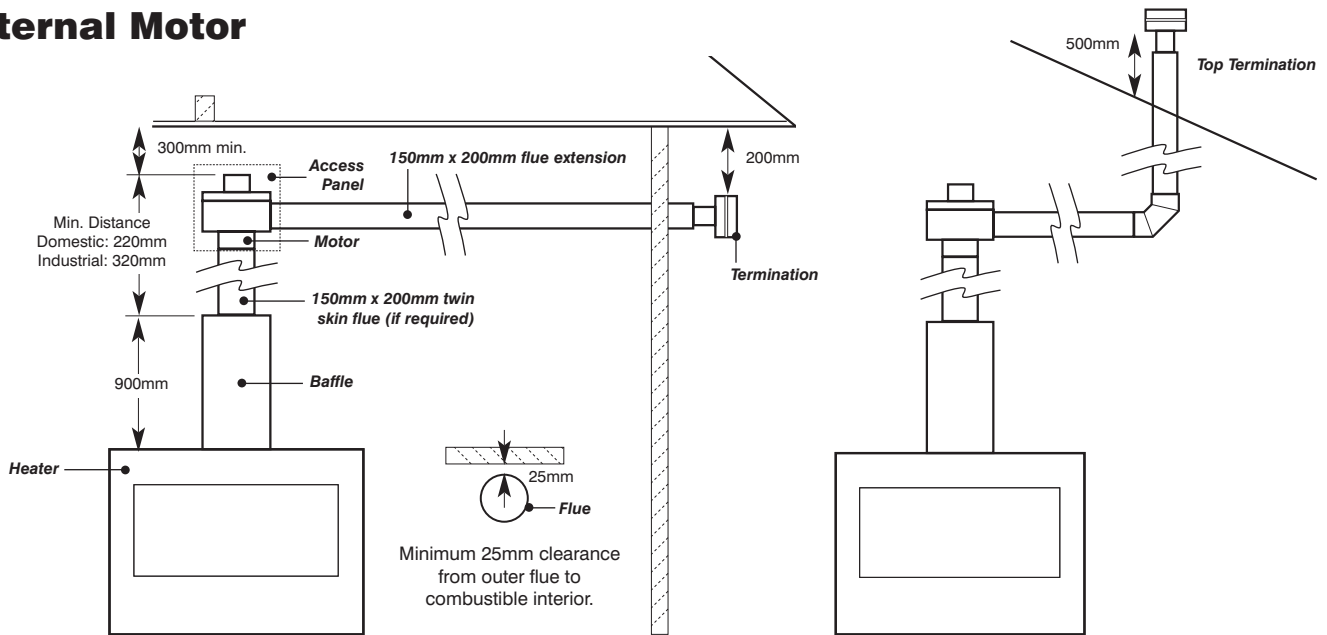


## Motor



# OPTIONAL POWER FLUE (continued)

## Internal Motor

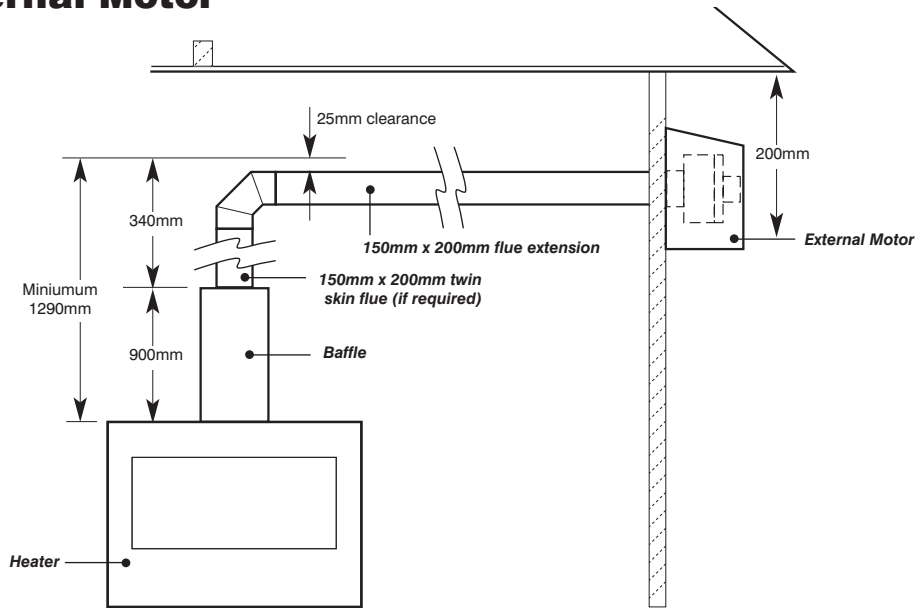


**NOTE:**

1. Maximum of 4 elbows, 45° or 90°.
2. Allow 400mm x 400mm access panel for service of motor.

# OPTIONAL POWER FLUE (continued)

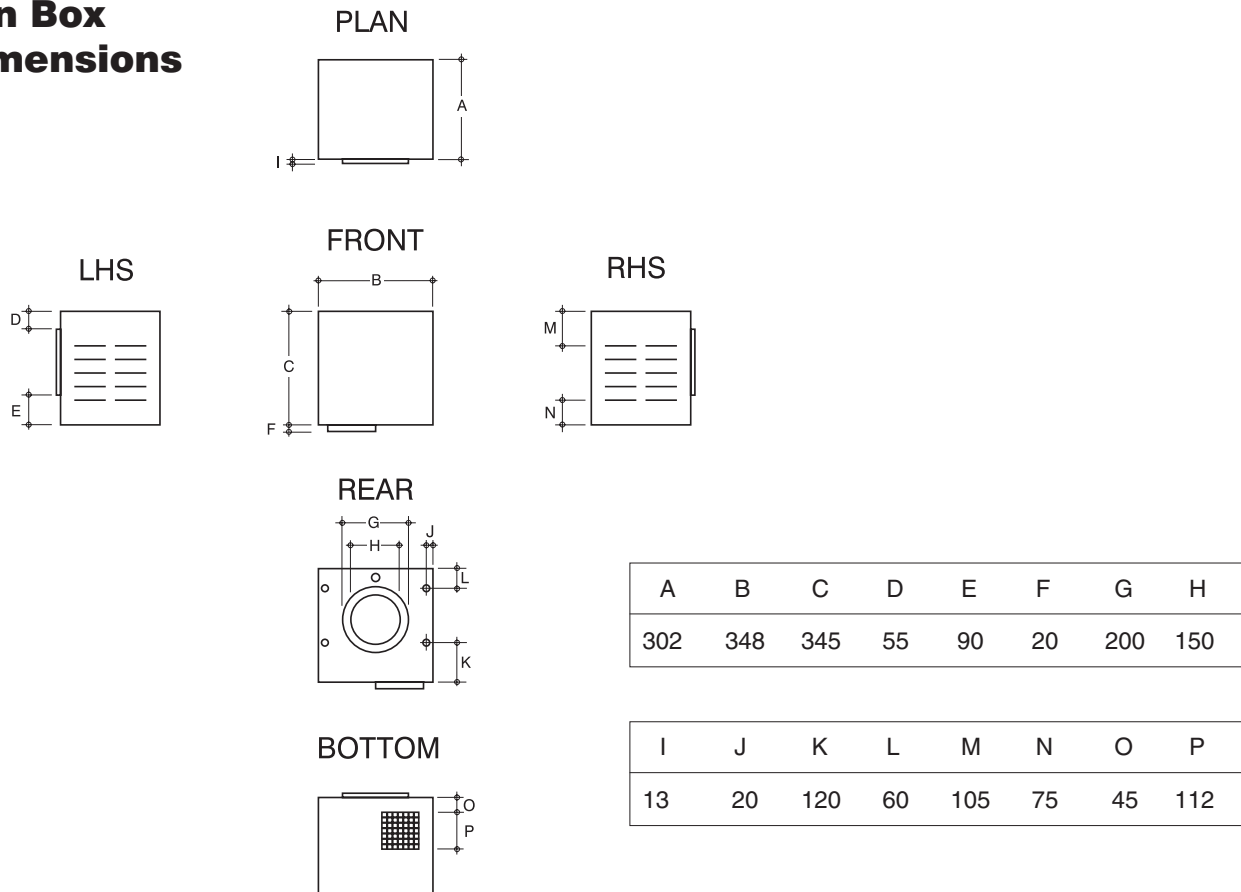
## External Motor



**NOTE:**

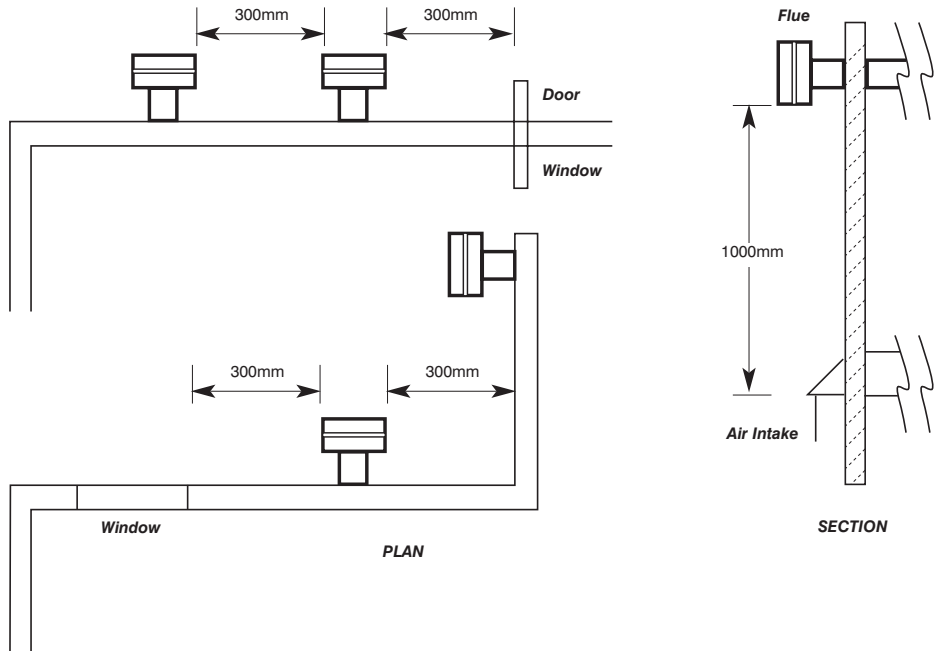
1. Maximum of 4 elbows, 45° or 90°.

## Fan Box Dimensions

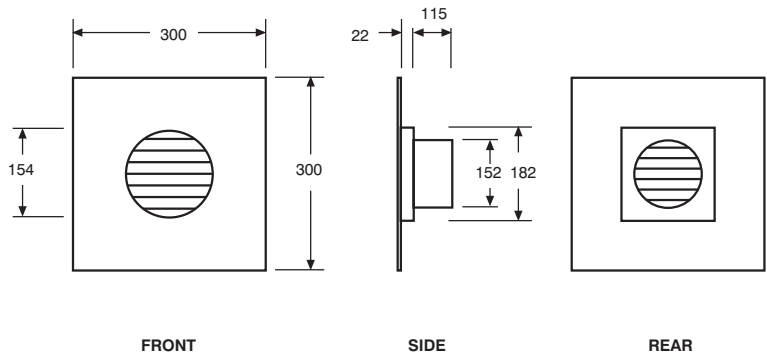


# OPTIONAL POWER FLUE (continued)

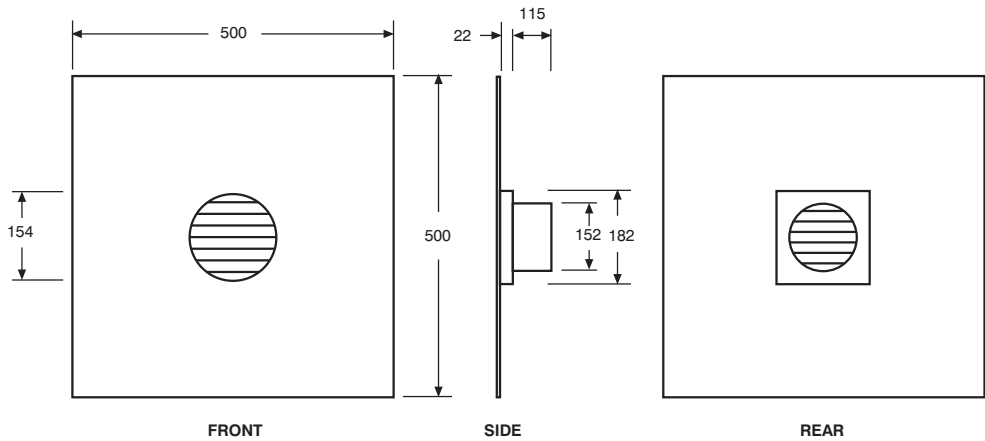
## Flue Terminations



## Flush Cowl Terminations 300x300

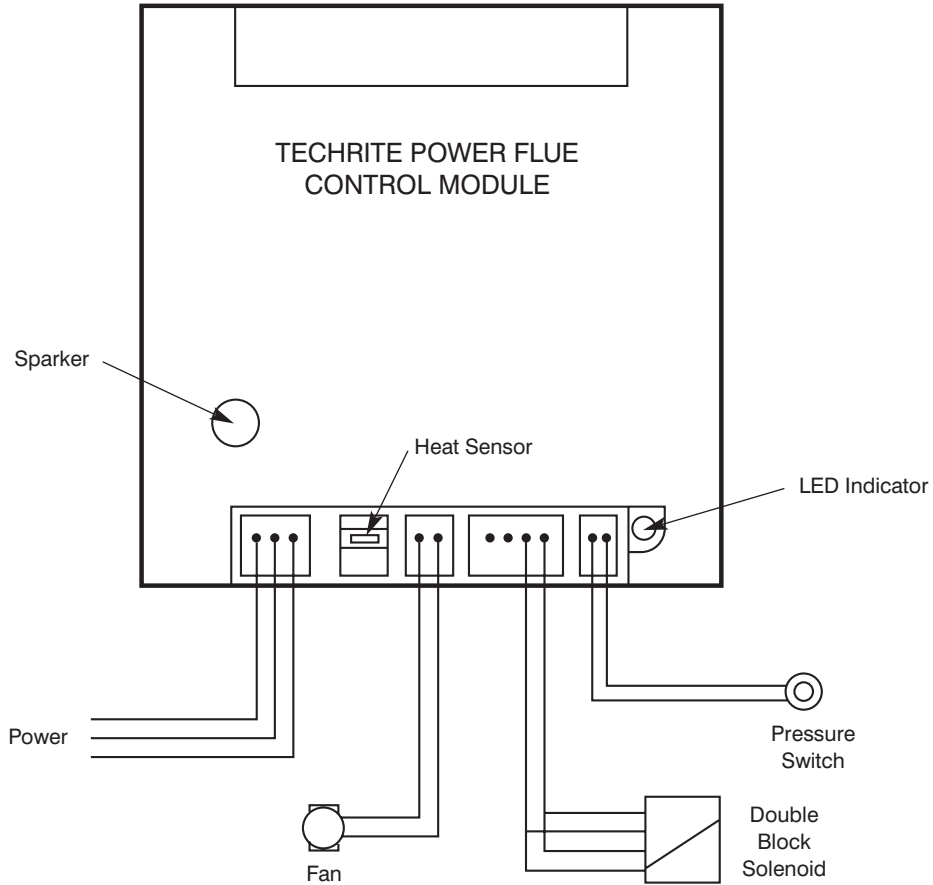


## Flush Cowl Terminations 500x500



## OPTIONAL POWER FLUE (continued)

### Wiring Diagram



### Parts List

PART No.	DESCRIPTION
1.	Dungs BM.740-007 double block solenoid valve
2.	Dungs DGAI.73 Module 5.1.3.
3.	Electronic Ignition Sparker
4.	Electronic Flame Sensor
5.	Ecofit 2GTA35 Motor. Complete with 'sail' switch.
6.	900mm Real Flame Power Flue Muffler.



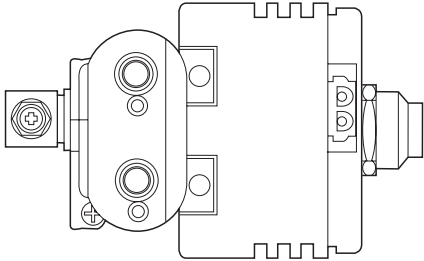
## TROUBLE SHOOTING FOR ELECTRONIC IGNITION AND POWER FLUE SYSTEM.

Symptom	Possible Cause	Corrective Action
Fire turned on and nothing happens	No Power to Module	Connect Power
Fire turned on and motor starts but there is no spark	Pressure switch not operating	Check pressure switch
Fire sparks when turned on but will not ignite	A. No Gas	Connect Gas.
	B. Sparker is to far from metal	Adjust sparker so it cross lights to metal.
	C. Pressure switch (Power Flue) is not operating correctly.	Remove fan from housing and check that small tube supplying air to pressure switch has not moved or been damaged.
	C. Valve solenoids are faulty	Check solenoids
Fire ignites and then shuts down within a couple of seconds	D. Solenoid wires to module not connected correctly	Check that the four pin plug from the valve has been connected correctly
	A. Something is touching the heat sensor	Ensure that nothing is touching the sensor which is located behind the cover plate at front of burner.
Fire ignites and shuts down after several minutes	B. The power polarity is reversed	Check polarity
	A. Insufficient air for burner to operate correctly	Check that the unit has correct ventilation as per Installation manual.
	B. Pressure switch not operating correctly	Check air supply tube to pressure switch.

## **TROUBLE SHOOTING FOR ELECTRONIC IGNITION AND POWER FLUE SYSTEM.** (continued)

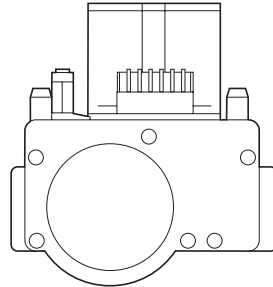
The power flue and electronic control box have a red LED light that indicates the possible cause of a problem, the LED light will flash in different sequences for different problems, the most common are:-

Long Flash	Short Flash	
1	0	Normal Running State.
1	1	Flame Failure.
1	2	Waiting for pressure switch ON
1	3	Waiting for pressure switch OFF
2	1	Maximum retries exceeded



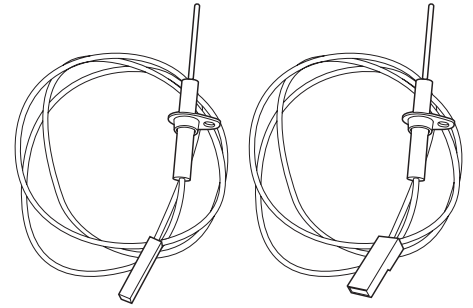
White Rogers Valve Used For Electronic Ignition For 850 & 100 Modular Boxes.

Part Number: W0079



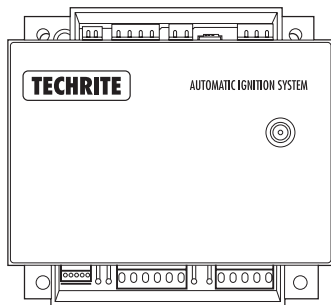
Dungs Valve used On 1400 Burner In 1800 Modular Box.

Part Number: DUBM 241221



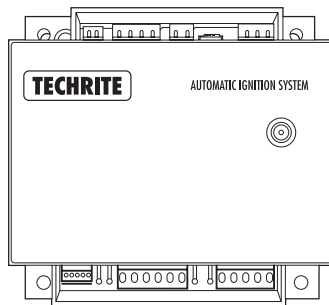
Sparker and Sensor Fitted to all Electronic Ignitions.

Part Number: GST0829985



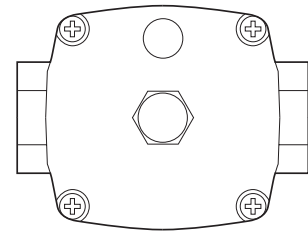
Techrite Electronic Ignition Module.

Part Number: TDAIS0015



Techrite Power Flue Module used on all Power Flue Models.

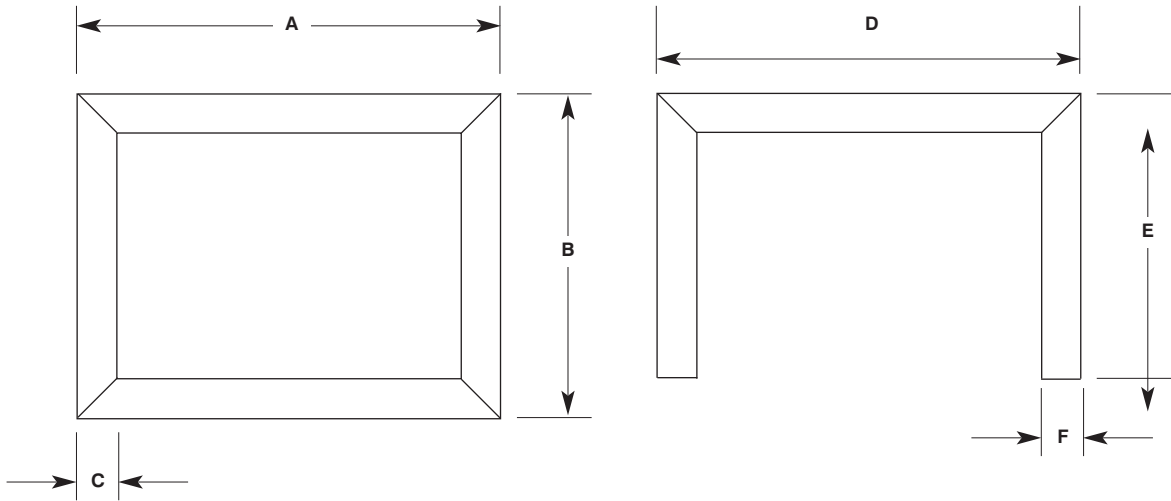
Part Number: TCAIS0002



Regulator fitted to all Natural Gas 1400 Magiglo Burners.

Part Number: 2369

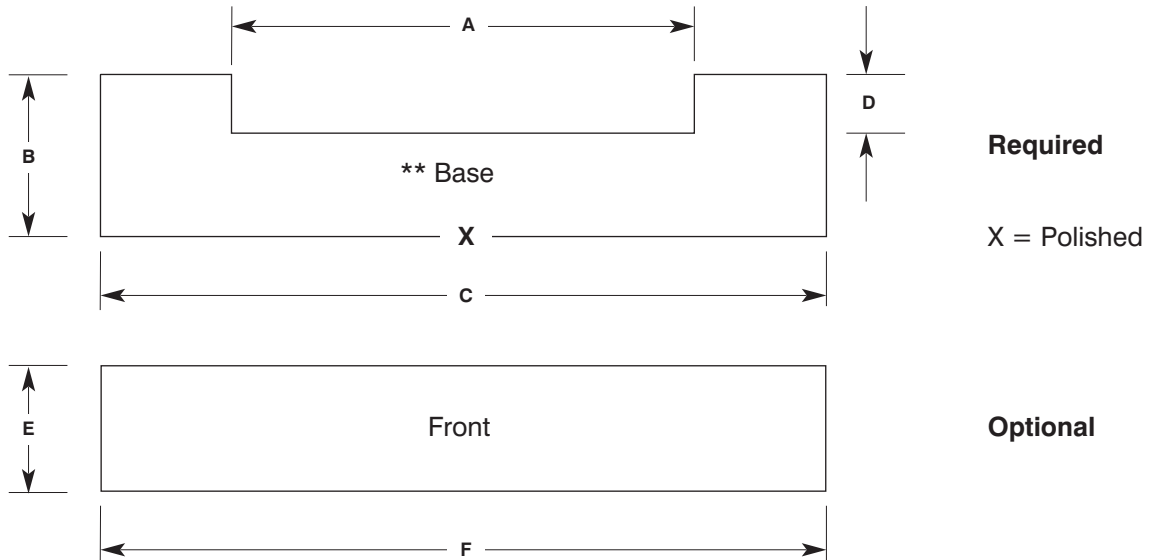
## TRIMS



MODEL	A	B	C	D	E	F
ELEGANCE 850	1043	713	100	1043	613	100
ELEGANCE 1000	1193	713	100	1193	613	100

## MARBLE BASES AND FRONTS

**\*\*NOTE:** The marble base is used to access the main burner for service purposes, therefore it should not be stuck down under any circumstances.



MODEL	A	B	C	D	E	F
SIMPLICITY 850	555	425	847	212	170	847
SIMPLICITY 1000	765	425	997	212	170	997
SIMPLICITY 1800	1415	425	1795	212	170	1795
PURE VISION 850	555	430	885	212	170	885
PURE VISION 1000	765	430	1030	212	170	1030
PURE VISION 1800	1415	430	1830	212	170	1830









**REAL FLAME PTY LTD**

ABN 76 006 311 155

**Head Office/Factory/Showroom**

1340 Ferntree Gully Rd.

Scoresby Vic 3179

Ph: (03) 8706 2000 Fax: (03) 8706 2001

E-mail: [info@realflame.com.au](mailto:info@realflame.com.au)

**Richmond - VIC Showroom**

300 Swan St.

Richmond Vic 3121

Ph: (03) 9428 4443 Fax: (03) 9428 4445

**Geelong - VIC Showroom**

1/2A Gordon Avenue.

Geelong West Vic 3218

Ph/Fax: (03) 5229 0844

E-mail: [realflamegeelong@hotmail.com.au](mailto:realflamegeelong@hotmail.com.au)

**Sydney - NSW Showroom**

654 Pacific Highway.

Chatswood NSW 2067

Ph: (02) 8905 0189 Fax: (02) 8905 0192

E-mail: [info@realflame.com.au](mailto:info@realflame.com.au)

**Miranda - NSW Showroom**

36 Kareena Rd

Miranda NSW 2228

Ph: (02) 8513 6202 Fax: (02) 9520 1974

E-mail: [paul@realflamemiranda.com.au](mailto:paul@realflamemiranda.com.au)

**Adelaide - SA Showroom**

173 -175 Magill Rd.

Norwood SA 5067

Ph: (08) 8132 0371 Fax: (08) 8132 1687

E-mail: [realflamesa@iprimus.com.au](mailto:realflamesa@iprimus.com.au)

**Miton - QLD Showroom**

46 Douglas St,

Milton QLD 4064

Ph: (07) 3368 2011

**Perth - WA Showroom**

47-53 McDonald St East,

Osborne Park WA 6017

Ph: (08) 9444 9900 Fax: (08) 9444 9800

**Fyshwick - ACT Showroom**

88 Wollongong St,

Fyshwick ACT 2609

Ph: (02) 6280 5522