



FIRE BY **escea.**

Before social media, there was just social_

Escea gas fireplaces combine high tech and energy efficiency with sleek design but it's the fire, man's oldest technology, that make them essential.

People are naturally drawn to flames and an Escea fireplace quickly becomes a home's social hub. You could say that by encouraging face-to-face interaction our fireplaces are designed to cut both your power and internet bills. Proudly designed and made in New Zealand, Escea gas fireplaces now grace some of the finest homes all over the world.

"We take great pride at being made in New Zealand and tapping into the incredible pool of local technology and design talent. I marvel at what our team of designers and engineers can achieve and love seeing people interact in front of our fires. I guess there are some things you just can't do on Facebook"

ALEX HODGE
Lead Designer





Fits in anywhere_

An Escea fireplace fits just about anywhere inside or outside your home. They can be fitted in existing chimneys or any standard wall and their flues can run through walls, ceilings or the floor. They can even be put straight under a wall mounted TV.

Treads lightly_

Some of our gas fires have achieved New Zealand's best energy rating and independent testing has placed them among the world's most efficient with the greatest heat output. And for every fireplace made, we plant a tree to make our carbon footprint even smaller.

Born in New Zealand_

Escea fireplaces are proudly designed and made in New Zealand. With great pride our hand-craftsmen make sure every fireplace gets the same care and attention as the first.



Our Fires_

Indoor Gas Multiroom

Can be seen from two rooms and efficiently warms many rooms with Heat Ducting and Smart Heat Technology.



DX1500, DX1000

Pg 6

Indoor Gas High Output

High heat output combined with high energy efficiency and Smart Heat control.



DL1100, DL850

Pg 13

AF700

Pg 16

FS730

Pg 20

Indoor Gas Ambient

Ideal as a decorative secondary heat source or for heating smaller spaces.



ST900

Pg 24

Outdoor Gas or Wood

Add warmth to any outside gathering with an open front gas or wood fire.



EF5000, EW5000

Pg 28

DX Series_

MULTIROOM



Best Design Awards
Finalist 2012

These models can effortlessly heat rooms throughout your home with clever ducting and smart technology and their great looks are simply stunning when double sided.

At 1m or 1.5m wide these fireplaces make a dramatic statement but their effect grows exponentially when they're double sided. They warm every corner of the room they're in and other rooms through ducting, all while keeping a consistent temperature. With or without a frame, the reflective side panels multiply the flames and create an infinite fire effect.



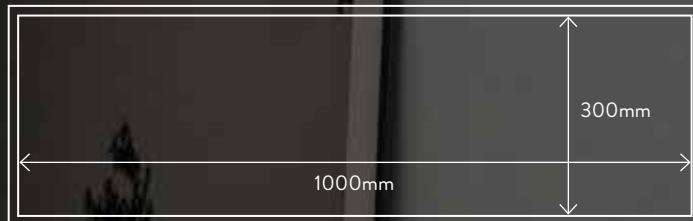
SMART HEAT™

Control the temperature of your home with your smart phone.



Indoor Gas Multiroom

DX1000



HEAT
OUTPUT_



ENERGY
EFFICIENCY_



DX1500



HEAT
OUTPUT_



ENERGY
EFFICIENCY_



DX Series Fascia Options

Double Sided

This see-through fire can add its magic to two rooms or form a double sided island to create more intimate spaces in a large room.



Frameless

Being frameless lets the wall itself be the work of art.



Bevelled

A subtle single bevelled edge to frame the fire.



Titanium Silver



Volcanic Black

DX Series Fuel Bed Options*

Indoor Gas Multiroom



Black Crystalight



Woodland Selection



NZ River Rock (Small)



White Coals (Small)



Black Coals (Small)

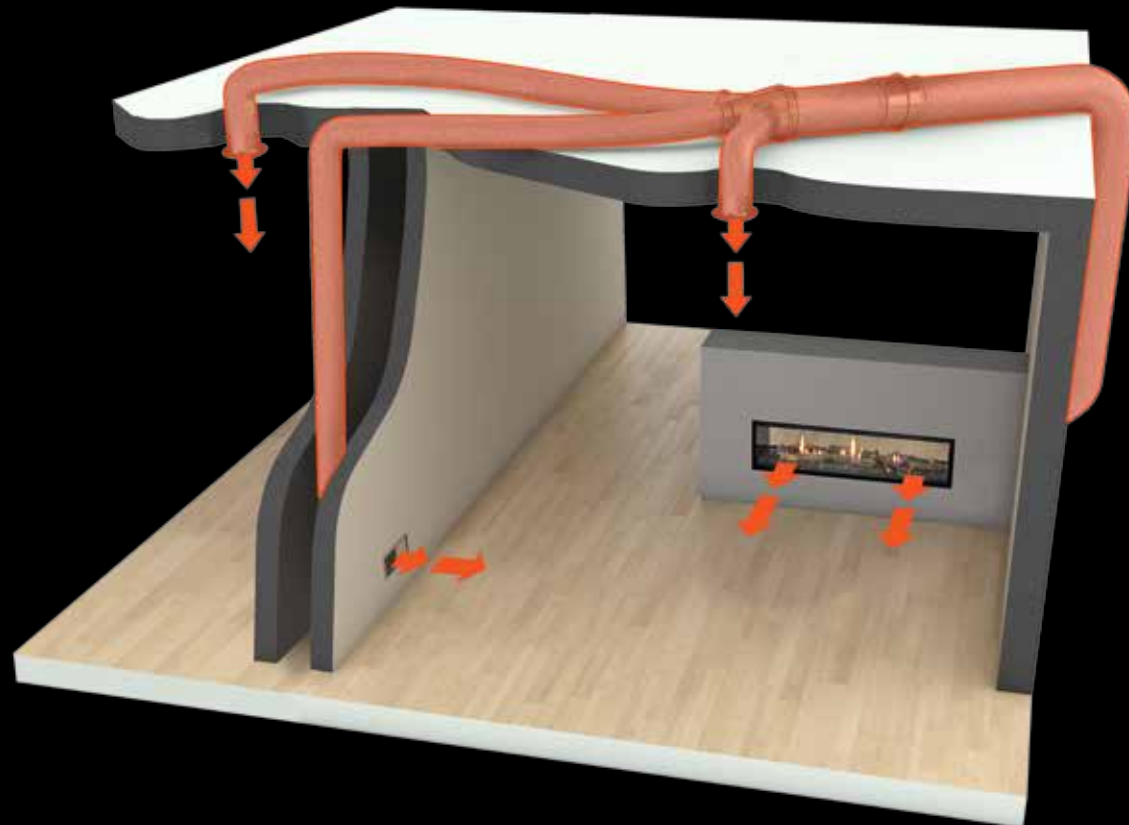
*Check with your dealer as to what fuel beds are available in your region.

DX Series Features

Multiroom

Our heat ducting system means that just one Escea fireplace can warm several rooms.

Ducts deliver warm air to every corner of the room with the fireplace and to other rooms through floor, ceiling or wall outlets. Set your desired temperature and our smart technology will keep it there.



Powered Direct Vent

Our Powered Direct Vent flue achieves greater efficiencies and allows flues up to 12m in length which can be run horizontally or vertically. Flues can finish either on a roof or outside wall and can even be run under a floor. It uses outside air for combustion rather than room air and is a completely sealed system unaffected by other appliances such as extractor fans. With no fumes coming in and no hot air going out, you can keep warmer and healthier.



DL Series



Best Design Awards
Finalist 2012

The DL1100 has the coveted 5 Energy Star rating and the DL850 4.5 stars. They were finalists in the 2013 Best Design Awards and both models come with our unique Smart Heat control system. Great looks, high efficiency and smart technology define the DL Series.

These fireplaces deliver more heat and efficiency but are quieter than similar sized gas fireplaces. With over 9kW of heat they are ideal for heating the largest of rooms. The frame within a frame fascias work with both traditional and modern décor. The inset fascia lets you recess the fire into a wall for a more traditional look. They use our latest technology with smartphone control and the Powered Direct Vent saves on running costs.

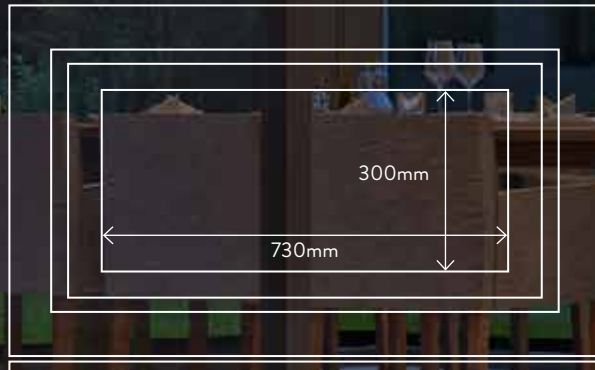


SMART HEAT™

Control the temperature of your home with your smart phone.

Indoor Gas High Output

DL850



HEAT
OUTPUT_



ENERGY
EFFICIENCY_



DL1100



HEAT
OUTPUT_



ENERGY
EFFICIENCY_



DL Series Fascia Options

Bevelled

A bevelled frame set.



Titanium Silver Volcanic Black



Squared

A square edged frame.



Titanium Silver Volcanic Black



Inset

A wall recessed frame.

Inset fascias require a different cavity construction.



Titanium Silver Volcanic Black



Squared Lite

A fine square edged frame.



Titanium Silver Volcanic Black



DL Series Fuel Bed Options*

Indoor Gas High Output



Black Crystalight



NZ River Rock (Large)



White Coals (Large)



Black Coals (Large)



Logs

*Check with your dealer as to what fuel beds are available in your region.

AF Series_

The AF Series combines the largest glass display in its category with a minimalist frame to fit the widest range of spaces – all while consuming the least amount of energy. Their stunning good looks won't stun your bank manager and the Escea Smart Heat system gives you control from anywhere, anytime.

The AF Series looks just as good in a classic mantle or in a clean wall design. They can be placed into an existing brick chimney cavity or in a timber framed wall. These fireplaces use a Direct Vent flue system which means no warm room air is used for combustion and lost up the flue.

By using a register plate an AF series fire can be fitted inside most Australasian brick fireplaces. The flexible Direct Vent flue pipes are simply dropped down the existing chimney and eliminate the risk of exhaust gas escaping inside. Fresh air is brought in from outside for combustion.



SMART HEAT™

Control the temperature of your home with your smart phone.



AF700



HEAT
OUTPUT



ENERGY
EFFICIENCY



AF Series Fascia Options

Slim

A flat frame that sits flush with your wall.



Titanium Silver



Volcanic Black



Stretch

A wider frame that sits flush with your wall.



Titanium Silver



Volcanic Black



AF Series Fuel Bed Options*

Indoor Gas High Output



Black Coals (Large)



Logs

*Check with your dealer as to what fuel beds are available in your region.

FS730_

FREESTANDING

The FS730 is a free standing unit is ideal when large windows or a small wall space prevent a built-in fireplace. It's also a sleek replacement for an aging wood burner.

The large glass screen offers the best view of the flames, and the Direct Vent Flue means no warm room air is used for combustion and lost up the flue. With Smart Heat and the supplied Escea remote, you can control this fireplace from anywhere. The curved sides and simple understated lines suit both new and traditional homes.



SMART HEAT™

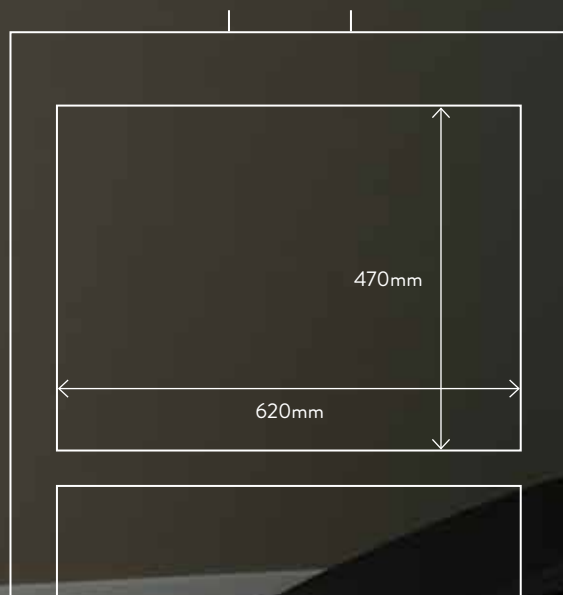
Control the temperature of your home with your smart phone.



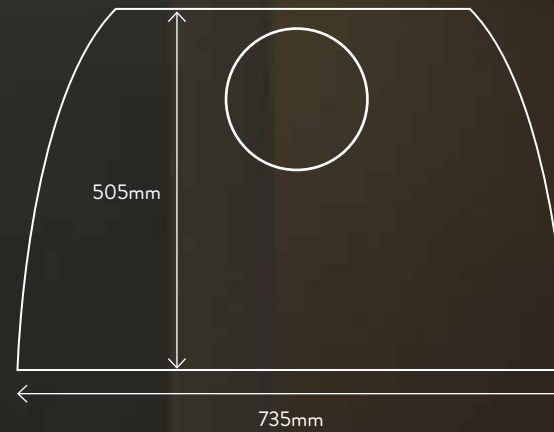
Indoor Gas High Output

FS730

FRONT VIEW



TOP VIEW



HEAT
OUTPUT



ENERGY
EFFICIENCY



FS730 Options

Volcanic Black



Volcanic Black



Stainless Sides

COMING SOON



Stainless Steel



FS730 Fuel Bed Options*

Indoor Gas High Output



Black Coals (Large)



Logs

*Check with your dealer as to what fuel beds are available in your region.

ST900_

The ST900 is silent and a perfect addition to a central heating system or for heating a smaller room.

Thanks to its shallow depth, Direct Vent flue and Zero Clearance rating it can be installed almost anywhere. The ST900 won't overheat small rooms but will delight with its show of flames. A wireless remote makes it simple to operate and a battery steps up if the power goes down.



Indoor Gas Ambient

ST900



HEAT
OUTPUT_



ST900 Fascia Options*

Slab

A square edged thick frame.



Stainless Steel



Volcanic Black



*Check with your dealer as to what fascia options and colours are available in your region.

ST900 Fuel Bed Options*

Indoor Gas Ambient



NZ River Rock (Small)



Driftwood with White Stones

*Check with your dealer as to what fuel beds are available in your region.

E Series_

OUTDOOR GAS OR WOOD

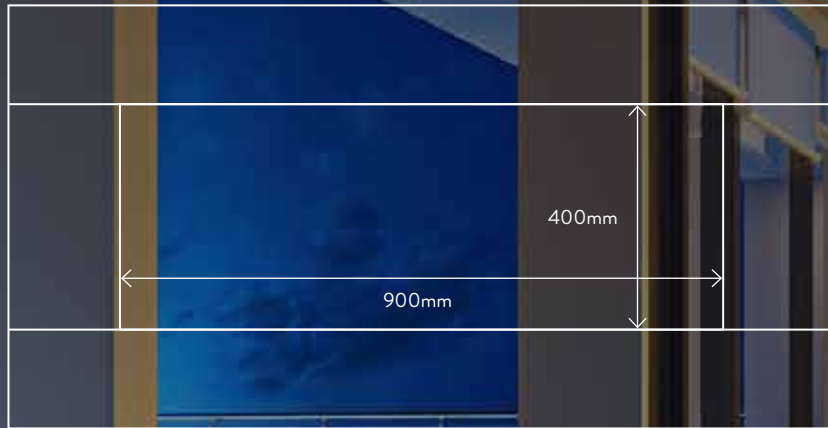
Our outdoor gas fireplace becomes the conversation hub with just a simple push of a button and our wood fire makes a very dramatic statement with just a little more help from you.

The beauty of the gas outdoor fire is revealed immediately with its open front and absence of a flue. But if you can't resist the smell and sound of an open wood fire, then the Outdoor EW5000 is the way to go. The combination of an authentic wood-fire BBQ with modern design automatically draws people to your outdoor entertainment area. It looks great with or without the Stainless Steel fascia and can be installed flush or recessed into any non-combustible fire surround.

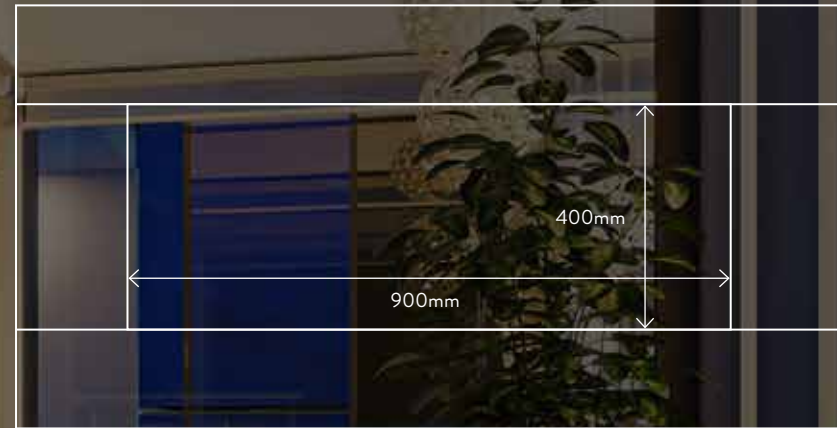
NOTE: While made from the highest grade materials some rusting may occur with high levels of salt laden sea air.



EF5000_GAS



EW5000_WOOD



E Series Options

Frameless

Being frameless lets the wall itself be the work of art.



Slab

A square edged thick frame.



Stainless Steel
(EW5000 &
EF5000)



Volcanic Black
(EF5000 only)

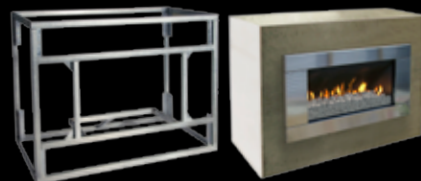


Kitset Enclosure

The Kitset Enclosure (KSE) is perfect if your outdoor area doesn't have an existing structure. It comes with a kitset steel frame and all the fastenings. Once assembled you can cover the KSE with a waterproof backing board and cladding of your choice.

The cladding material for the EW5000 must be fire rated.

The assembled structure has the following dimensions:
1800w x 1200h x 600d (mm).



Cooking Plate

The EW5000 wood fire comes with an adjustable cooking plate which can be stored under the ash pan when not needed. Escea's Head BBQist says "Remember to let the fire burn down to an ash bed before cooking."



E Series Fuel Bed Options*

Outdoor Gas or Wood



NZ River Rock (Large)
(EF5000 Only)



White Coals (Large)
(EF5000 Only)



Black Coals (Large)
(EF5000 Only)

*Check with your dealer as to what fuel beds are available in your region.

Escea Flue Options

Vertical Flexi__{DIRECT VENT}

Flexible pipes are dropped down your chimney to bring in outside air for combustion and take away exhaust gas.

Suitable for masonry chimneys with the AF700.



Vertical Rigid__{DIRECT VENT}

A double-walled pipe through the roof brings in outside air for combustion and takes away exhaust gas.

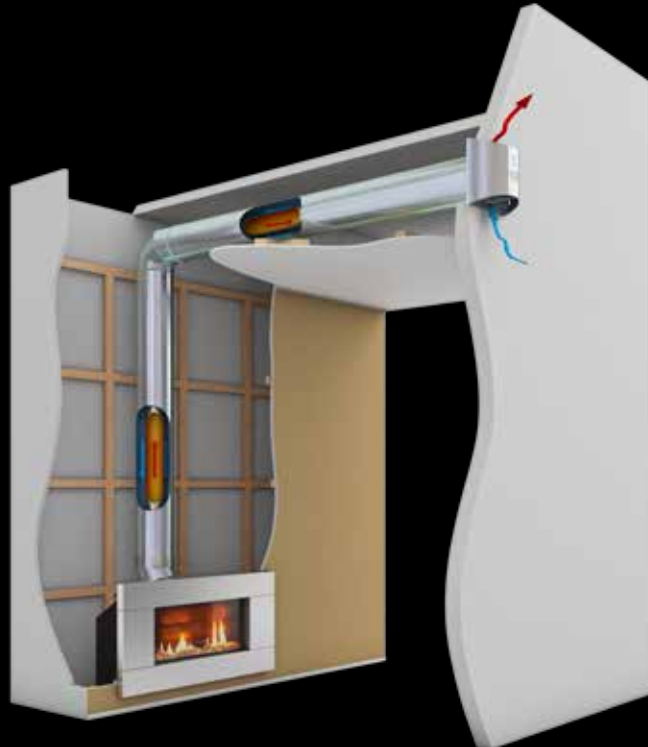
Suitable for timber walls with the AF700, FS730 and ST900.



Horizontal Rigid _DIRECT VENT

A double-walled pipe through an external wall brings in outside air for combustion and takes away exhaust gas.

Suitable for timber walls with the AF700 and ST900.



Horizontal/Vertical POWERED _DIRECT VENT

Allows more installation options with a fan and flexible pipes bringing in outside air for combustion and taking away exhaust gas.

Suitable for timber installations with the DL850, DL1100, DX1000 and DX1500.



Smart Heat

Our Smart Heat system lets you turn on your fire through your Smart Phone or any secure internet connection and integrates with most Home Automation systems. It keeps the room at the temperature you select and continuously adjusts to ensure the most efficient burn – which is what we mean by Smart Heat.



Choose the right fire for you

See how a fireplace looks with different fascias and fuel beds and compare it to other fireplaces in our range at:

escea.com/designyourfire

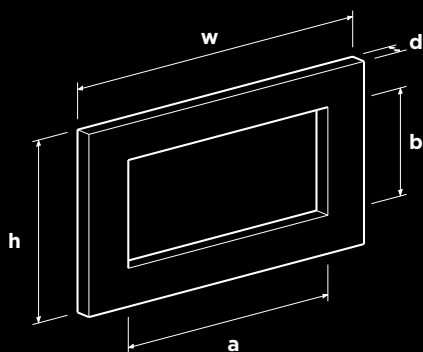


Facts & Figures

For additional details, technical data, and manuals, refer to the website.

www.escea.com

DIMENSIONS KEY



	DX1000 Indoor Fireplace (Gas)		DX1500 Indoor Fireplace (Gas)		DL850 Indoor Fireplace (Gas)	
FREESTANDING						
SLAB FASCIA						
BEVELLED FASCIA (4 sided)					Titanium Silver 1060w x 635h x 40d	Volcanic Black
BEVELLED LITE FASCIA	Titanium Silver 1130w x 430h x 40d	Volcanic Black	Titanium Silver 1630w x 430h x 40d	Volcanic Black		
INSET FASCIA						
SQUARED FASCIA						
SQUARED LITE FASCIA						
SLIM FASCIA						
STRETCH FASCIA						
FRAMELESS	1060w x 360h		1560w x 360h			
VIEWABLE GLASS / FLAME AREA (MM)	1000a x 300b		1500a x 300b		730a x 300b	
FUEL BEDS	Crystalight Woodland	Rocks & Coals	Crystalight Woodland	Rocks & Coals	Crystalight Logs	Rocks & Coals
GAS TYPE	Natural Gas	Propane	Natural Gas	Propane	Natural Gas	Propane
HEAT OUTPUT	8.4kW		10.4kW		9.2kW	
ENERGY INPUT	18.5 - 34 MJ/hr		25 - 42 MJ/hr		18 - 38 MJ/hr	
STAR RATING	4.8		4.3		4.5	
HEAT DUCTING TECHNOLOGY	YES		YES			
WIRELESS REMOTE & THERMOSTAT	YES		YES		YES	
TIMER	YES		YES		YES	
SMART HEAT	YES		YES		YES	
REFLECTIVE PANELS	Included		Included		Optional	
WIRE MESH FRONT					Included	
BATTERY BACKUP						
FLUE	Powered Direct Vent		Powered Direct Vent		Powered Direct Vent	
APPROXIMATE APPLIANCE SIZE (Not a cavity dimension - see install manual for more info)	1330w x 750h x 380d		1830w x 750h x 380d		960w x 560h x 520d	
ZERO CLEARANCE	YES		YES		YES	
KITSET ENCLOSURE						

The information in this table is not intended as an installation guide.

Please visit www.escea.com/technical for installation manuals and other specific information.

DL1100 Indoor Fireplace (Gas)		ST900 Indoor Fireplace (Gas)		AF700 Indoor Fireplace (Gas)		FS730 Indoor Fireplace (Gas)		EF5000 Outdoor Fireplace (Gas)		EW5000 Outdoor Cooking Fire (Wood)
						Volcanic Black Stainless Steel (Unit Size) 740w x 755h x 505d				
		Stainless Steel Volcanic Black 1130w x 580h x 60d						Stainless Steel Satin Black 1290w x 645h x 60d		Stainless Steel 1290w x 645h x 60d
Titanium Silver Volcanic Black 1360w x 635h x 40d										
Titanium Silver Volcanic Black 1285w x 580h x 50d										
Titanium Silver Volcanic Black 1370w x 650h x 40d										
Titanium Silver Volcanic Black 1290w x 585h x 40d										
				Titanium Silver Volcanic Black 710w x 590 x 2d						
				Titanium Silver Volcanic Black 760mm x 630h x 2d						
										996w x 564h
1030a x 300b		700a x 310b		620w x 470h		620w x 470h		900a x 400b		900a x 400b
Crystalight Rocks & Coals Logs		Rocks & Coals Driftwood		Black Coals Logs		Black Coals Logs		Rocks & Coals		User provided Wood or Charcoal
Natural Gas Propane		Natural Gas Propane		Natural Gas Propane		Natural Gas Propane		Natural Gas Propane		N/A
10.4kW		3.7kW		5.6kW		5.6kW		16.5kW		Fuel Dependent
19 - 43 MJ/hr		18 - 21 MJ/hr		12-25 MJ/hr		12-25MJ/hr		25 - 60 MJ/hr		N/A
5		Not rated		3.8		3.8		Not rated		Not rated
YES		YES		YES		YES				
YES		YES		YES		YES				
YES				YES		YES				
Optional		Optional								
Included		Optional								
		YES								
Powered Direct Vent		Direct Vent		Direct Vent		Direct Vent		Vent Free		Natural Draft (Standard)
1260w x 560h x 520d		900w x 550h x 360d		700 x 600x 385		740w x 755hx 505d		1000w x 580h x 320d		900w x 760h x 490d
YES		YES		YES		YES		YES		
								1800w x 1200h x 600d		1800w x 1200h x 600d

FIRE BY **escea.**



AUTHORISED DEALER



For warranty conditions visit www.escea.com/warranty

Design Escea ©2015

• • • • Number: NZ RV8.0

Due to ongoing product development, Escea reserves the right to change any specifications listed in this brochure without notice. Escea promotional images are of real products, but fireplace appearance may vary due to printing limitations and environmental factors, and flame pattern may vary depending on gas type.

www.escea.com

MANUFACTURER: Escea Ltd 17 Carnforth Street, Green Island, Dunedin 9018, +64 3 478 8220 Email: info@escea.com

DISTRIBUTORS: Australia (excluding WA): Glen Dimplex Australia Pty Ltd, 1/21 Lionel road, Mount Waverley VIC 3149 Ph: +61 1300-554-155 Email: sales@glendimplex.com.au

Western Australia: Air Group Australia, 28 Division Street, Welshpool, WA 6106 Australia. Ph: +61 8 9350 2200 Email: sales@airgroup.com.au