

Masport[®] Heating

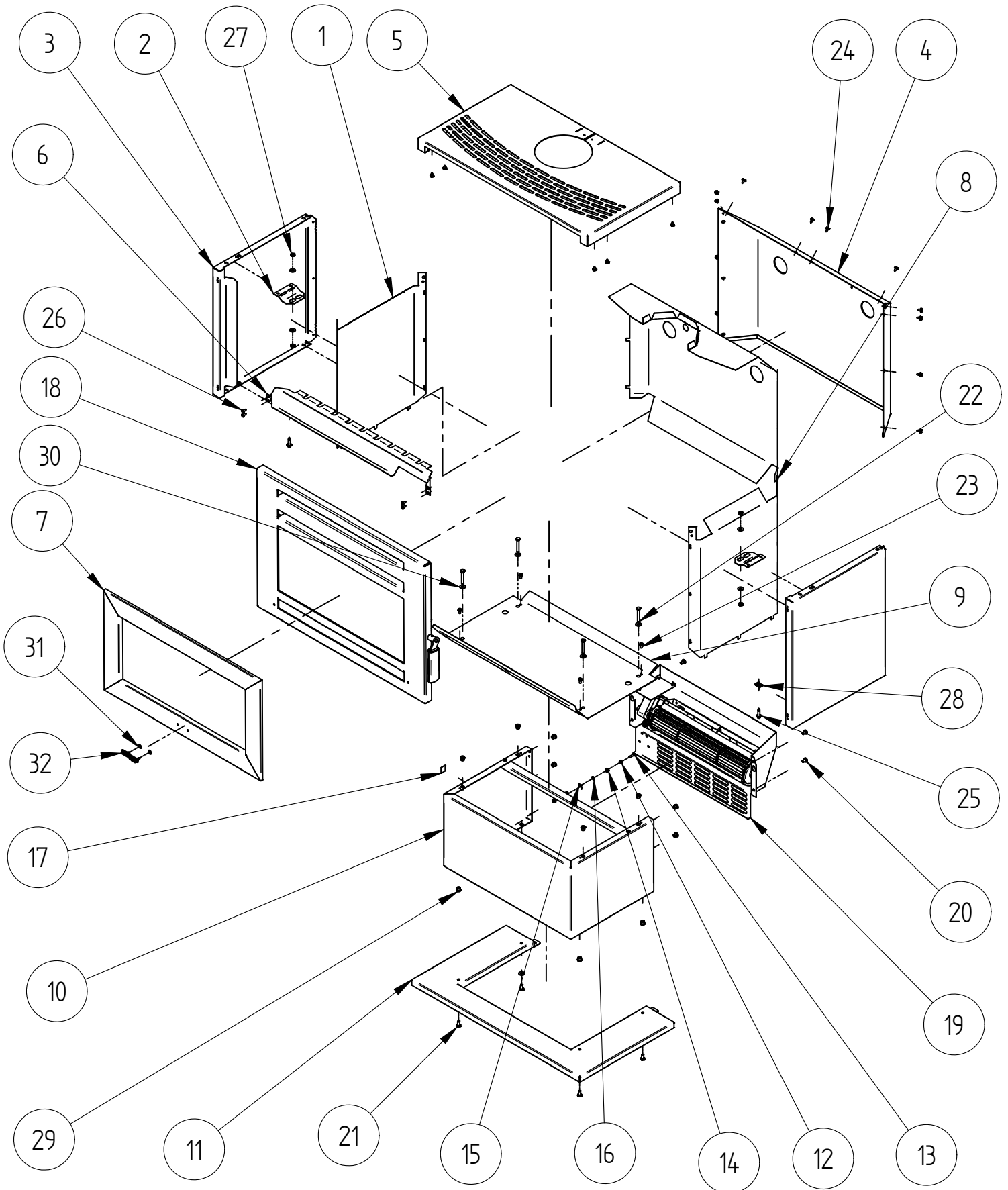
FREESTANDING WOOD FIRES

F3000 - AUSTRALIA 2013

Item No.	MARKET	FUEL TYPE	FINISH	YEAR	FAN
994972	AU	HARDWOOD	Matt Black Enamel - Met Black VHT	Sep-2013	Yes



PANELS, DOOR AND PEDESTAL

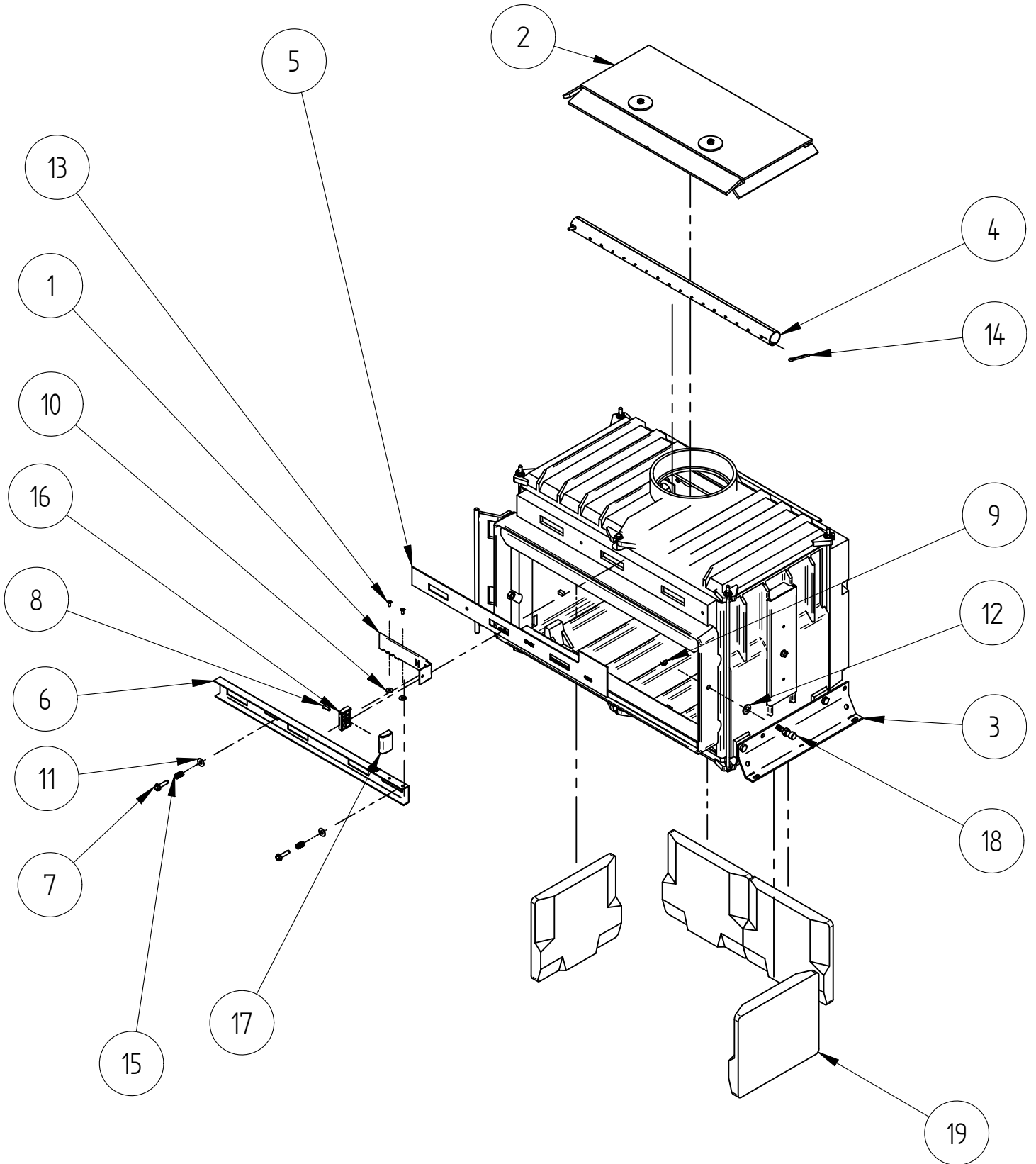


When ordering PLEASE QUOTE PART ID along with Finish Suffix (if applicable)

PANELS, DOOR AND PEDESTAL				
Item	Part ID	Models	Descriptions	Qty
		994972		
1	986121	-	F3000 HEATSHIELD - SIDE	2
2	986147	-	BRACE - SIDE PANEL	2
3	986314	E01	PANEL-SIDE F3000	2
4	986319	P02	PANEL-REAR F3000	1
5	986320	E01	PANEL TOP-ASSY	1
6	986357	V02	FAN SHIELD	1
7	986360	V02	TRIM-DOOR, ASSY. F3000	1
8	986372	-	HEATSHIELD - BACK, F3000	1
9	986374	-	HEATSHIELD - BOTTOM, LE3000	1
10	994812	P02	F3000 AU PED ASSY FLAT	1
11	994811	P02	F3000 AU PED FLAT FOOT	1
12	523205	-	WASHER; STAR M4 EXT	1
13	521015	-	SCREW; M4X16 PAN SLOT ZP	1
14	522800	-	NUT; SERRATED FLANGE M4 ZP	2
15	596602	-	TAB 6.3mm X 45DEG -4.1mm	1
16	523028	-	WASHER; FLAT M5 BRS	2
17	585631	-	DECAL EARTH	1
18	994133	-	F3000 DOOR ASSEMBLY (SEE DOOR PAGE)	1
19	994791	P02	FAN ASSY COMPL F3/F7 FERGAS BLK PC	1
20	521045	-	SCREW; M6X10 PAN POZI BLK	4
21	521075	-	SCREW; M6X12 HEX ZP	4
22	521077	-	SCREW; M6X40 HEX ZP	4
23	521620	-	SCREW; S/T 10GX3/8" HEX FLANGE SLOT BLK	4
24	521635	-	SCREW; S/T 10GX3/8" HEX FLANGE BLK	18
25	521637	-	SCREW; S/T 12GX25 TIMBERTITE	4
26	521645	-	SCREW; S/T 8GX1/2" MUSH FLANGE POZI BLK	4
27	522117	-	NUT; HEX STD M6 ZP	4
28	522402	-	NUT; SPIRE SNU0537	4
29	522605	-	NUT; RIVNUT STD/FLANGE M6	12
30	523007	-	WASHER; FLAT 1/4"X5/8"X0.049" ZP	12
31	526001	-	CLIP; STARLOCK 4 DIA SLP04	2
32	587836	-	BADGE MASPORT CAST	1

When ordering PLEASE QUOTE PART ID along with Finish Suffix (if applicable)

AIRSLIDE, BAFFLE, BRICKS AND FIREBOX

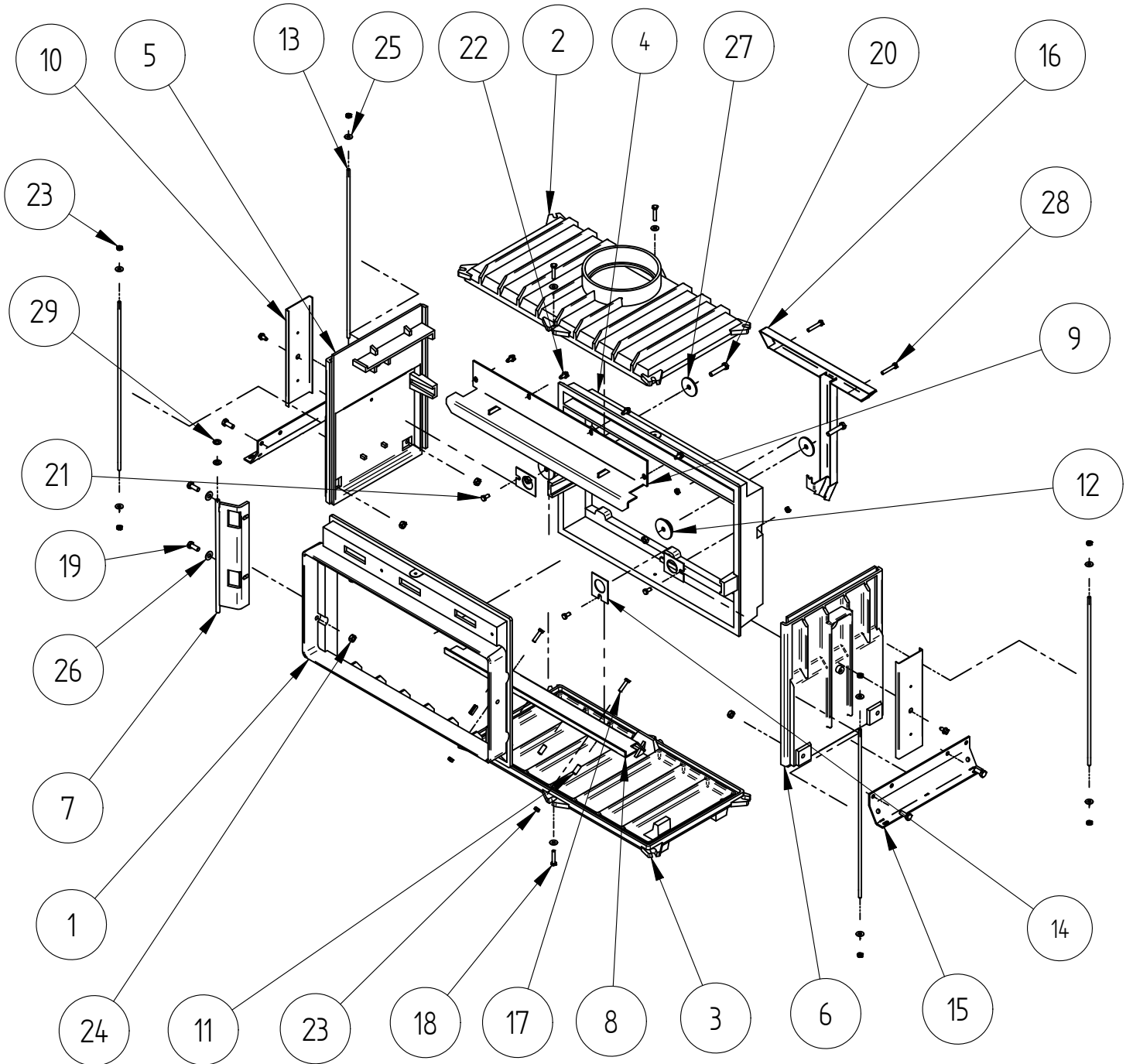


When ordering PLEASE QUOTE PART ID along with Finish Suffix (if applicable)

AIRSLIDE, BAFFLE, BRICKS AND FIREBOX				
Item	Part ID	Models	Descriptions	Qty
		994972		
1	986334	-	F3000 - EXTENSION - AIRSLIDE	1
2	993463	-	BAFFLE ASSY STL F3000	1
3	994134	-	F/B ASSY F3000 AU	1
4	994229	-	TUBE-SEC AIR, F3000 S/S	1
5	994382	-	HARDWOOD PLATE,BACK-METER F3000	1
6	994383	-	HARDWOOD SLIDE-AIR INLET F3000	1
7	521633	-	SCREW; S/T M6X25 HEX FLANGE TAPTITE	2
8	521650	-	SCREW; 6x1/2" S/S TYPE 25 C/S POZI	1
9	522118	-	NUT; HEX STD M8 ZP	1
10	523000	-	WASHER; FLAT 3/16"x1/2"x18G ZP	2
11	523007	-	WASHER; FLAT 1/4"x5/8"x0.049" ZP	2
12	523021	-	WASHER; FLAT M10X19X1.6 ZP	1
13	524011	-	RIVET; 73 MS 5-3	2
14	525105	-	COTTER PIN 5.0X40 ZP	1
15	585223	-	SPRING-COMPRESSIONAIR INLET	2
16	593651	-	AIRSLIDE KNOB BOTTOM LH	1
17	593652	-	AIRSLIDE KNOB TOP R/H PLAIN	1
18	586482	-	PIN-DOOR LATCH LE 3/5S2 BZP	1
19	587807	-	BRICK-F/B, LE2, LE3, 09	4

When ordering PLEASE QUOTE PART ID along with Finish Suffix (if applicable)

FIREBOX DETAILS

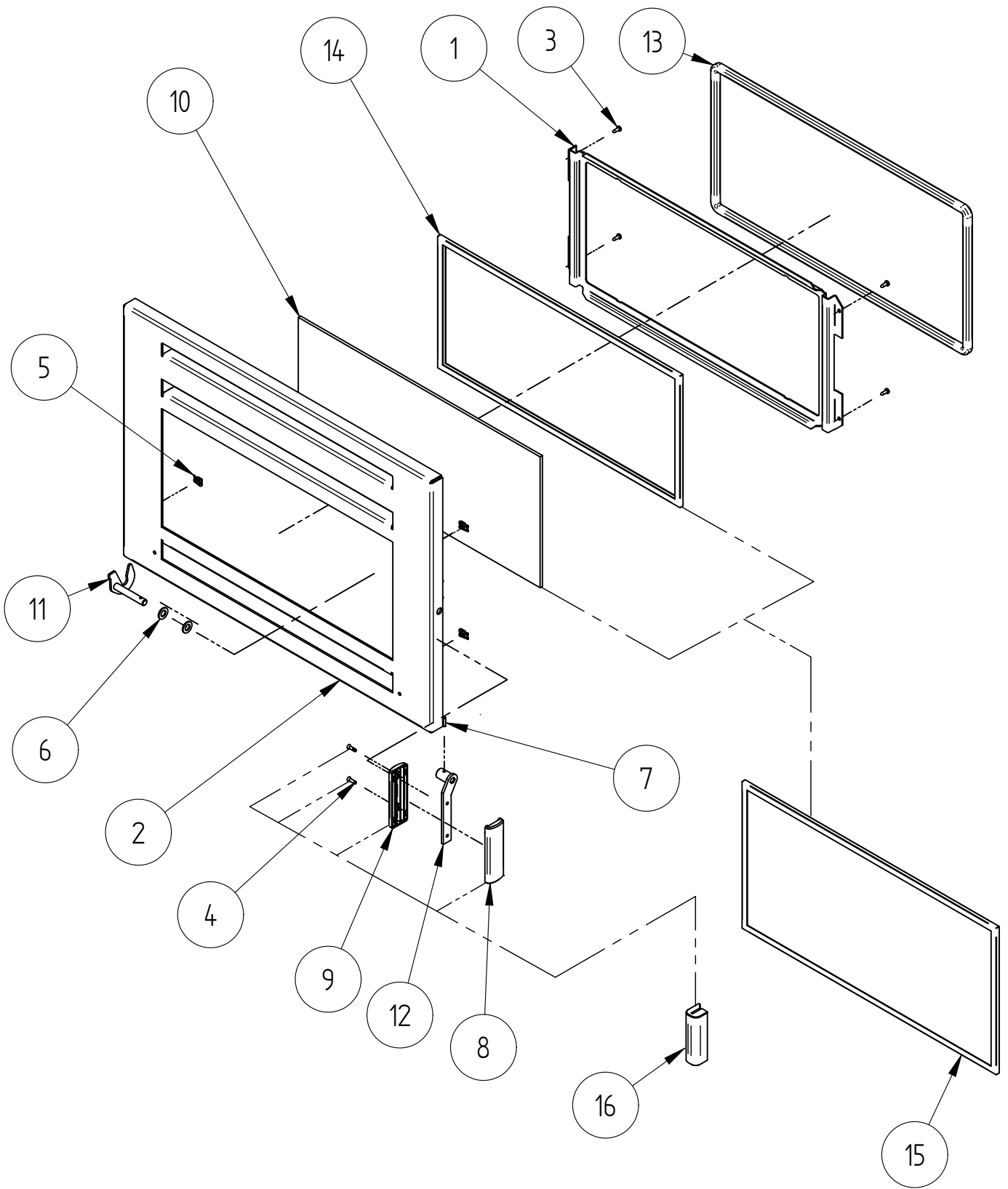


When ordering PLEASE QUOTE PART ID along with Finish Suffix (if applicable)

FIREBOX : 994134				
Item	Part ID	Models	Title	Qty
		994972		
1	686660	-	F/B FRONT LE3/VERONA - SET 1	1
2	686102	-	F/B TOP LE3/5000S2/PANA/VERONA	1
3	686681	-	F/B BOTTOM LE3/5/VER-SET 1 &7	1
4	686682	-	F/B BACK LE3000	1
5	686645	-	F/B SIDE LH LE3/5000S2/PAN/VERONA	1
6	686646	-	F/B SIDE RH LE3/5000S2/PAN/VERONA	1
7	986369	-	HINGE ASSY F3000	1
8	986665	-	PLATE - BASE AIR, F3000/LE5000	1
9	994232	-	DEFLECTOR ASSY- PRIMARY AIR F3000	1
10	986146	-	COVER - SECONDARY AIR	2
11	525007	-	PIN; TENSION 8X20 BLK BISSELL 001791	4
12	684089	-	PLUG, 34DIAPITTS/FATSO/WFIRE	2
13	984598	-	ROD; TIE M6X 425	4
14	984838	-	FLANGE - SECONDARY AIR	3
15	986123	-	BRACKET-MOUNT,CABINET LE3/5S2	2
16	986365	-	CHANNEL- SEC AIR ASSEMBLY	1
17	521058	-	SCREW; M6X25 HEX ZP	2
18	521059	-	SCREW; M6X30 HEX ZP	4
19	521066	-	SCREW; M8X20 HEX ZP	6
20	521070	-	SCREW; M8X40 HEX ZP	2
21	521075	-	SCREW; M6X12 HEX ZP	3
22	521601	-	SCREW; S/T 1/4"X1/2" HEX FLANGE ZP	6
23	522117	-	NUT; HEX STD M6 ZP	15
24	522118	-	NUT; HEX STD M8 ZP	8
25	523007	-	WASHER; FLAT 1/4"X5/8"X0.049" ZP	12
26	523034	-	WASHER; FLAT M8X19X1.6 ZP	2
27	523035	-	WASHER; FLAT M8X22X3 HVY ZP	2
28	521060	-	SCREW; M6X35 HEX ZP	2
29	523019	-	WASHER; FLAT 5/16"X5/8"X16G ZP	2

When ordering PLEASE QUOTE PART ID along with Finish Suffix (if applicable)

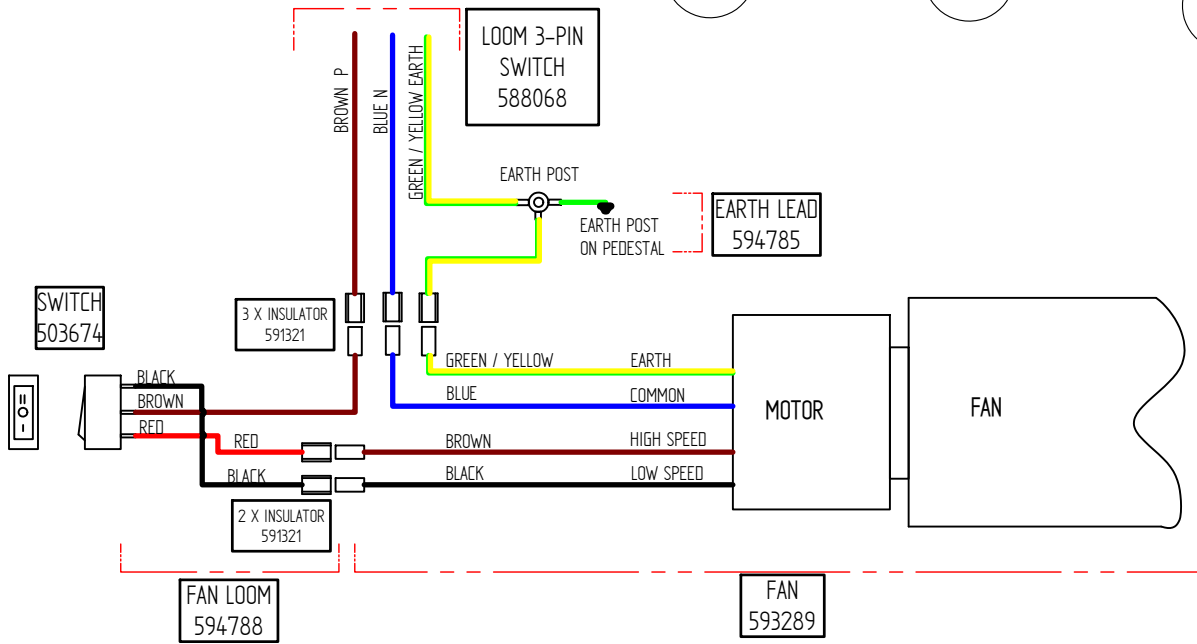
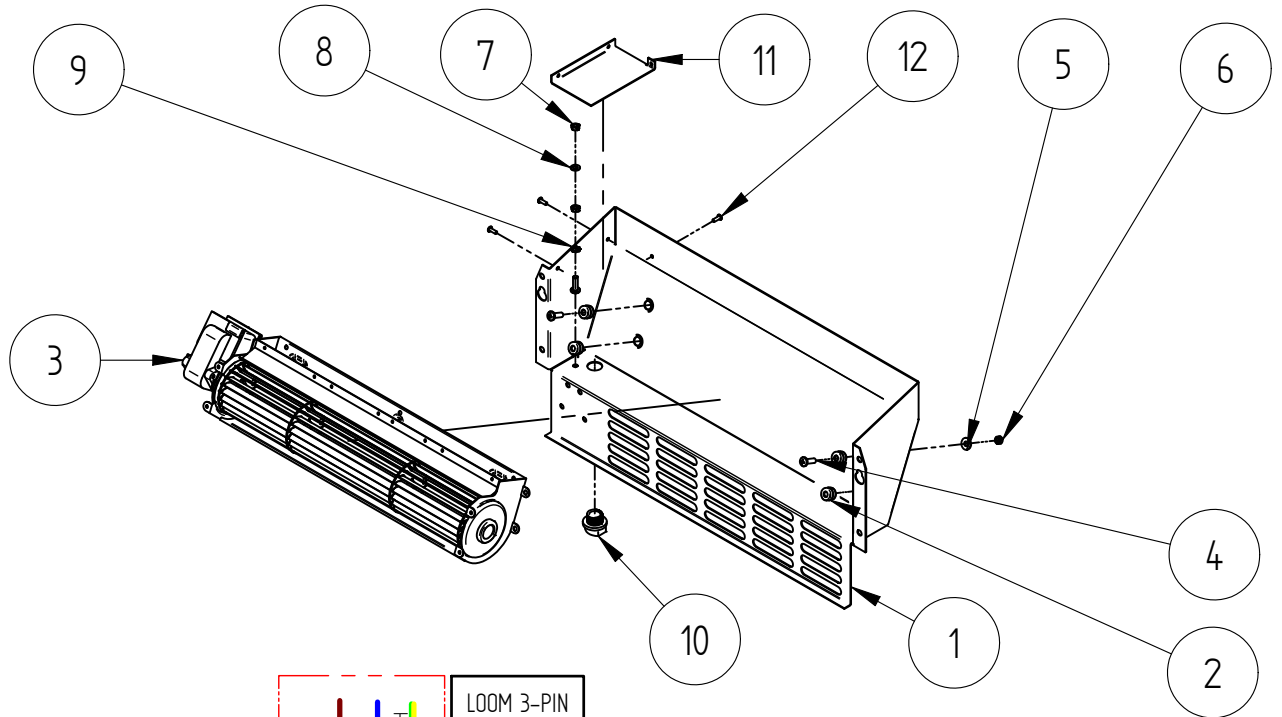
DOOR ASSEMBLY



When ordering PLEASE QUOTE PART ID along with Finish Suffix (if applicable)

DOOR ASSEMBLY				
Item	Part ID	Models	Title	Qty
		994792		
1	986485	-	RETAINER-GLASS,ALCOAT LE3/5S2	1
2	994227	E01	PANEL-DOOR ASSY F3000	1
3	521619	-	SCREW; S/T 8GX1/2" PAN POZI ZP	4
4	521650	-	SCREW; 6GX1/2" S/S TYPE 25 C/S POZI	2
5	522401	-	NUT; SPIRE SNJ 0116/17/4/6	4
6	523021	-	WASHER; FLAT M10X19X1.6 ZP	2
7	525001	-	PIN; TENSION 4X16 BLK	1
8	593598	-	I3000 DOOR HANDLE FRONT RH PLASTIC	1
9	593599	-	DOOR HANDLE REAR L/H PLASTIC	1
10	586486	-	GLASS-W/FIRE LE 3000/5000 5X518X243 N-ZERO	1
11	986530	-	LATCH DOOR ASSY	1
12	996616	-	PLATE - HANDLE ASSY	1
13	C15MMDR	-	DOOR ROPE	1
14	C20MMLT	-	TAPE ,FLT 3 X 20 LDR AD BLK X 50m ROLL	1
15*	786486	-	DOOR GLASS KIT	1
16*	786161	-	DOOR HANDLE KIT	1

*Optional Sale Kit



F3000/F3300C/F7000 FAN BOX ASSEMBLY							
Item	Part ID	Descriptions	Qty	Item	Part ID	Descriptions	Qty
1	994793	F3/F7 FAN BRACKET (FERGAS)	1	7	522106	NUT; HEX STD M5 ZP	2
2	529402	GROMMET; 14X6	4	8	523028	WASHER; FLAT M5 BRS	1
3	593289	FAN-2 SP TANG W/F INB FERGAS 76082	1	9	523204	WASHER; STAR M5 EXT	1
4	521033	SCREW; M5X16 PAN POZI BLK	3	10	529201	CLAMP; CABLE 16 LITTLE GRIPPER	1
5	523000	WASHER; FLAT 3/16"X1/2"X18G ZP	2	11	994794	SHIELD FAN PANEL FERGAS F3000	1
6	522305	NUT; NYLOCK M5 ZP	3	12	524002	RIVET; 73 AS 4-3	3

When ordering PLEASE QUOTE PART ID along with Finish Suffix (if applicable)

NOT ILLUSTRATED

Item	Part ID	Models					Qty	
		994959	994960	994962	994966	994967		
1	587845	-	-	-	-	-	INSTRUCTION - BRICK LAYOUT	1
2	593286	-	-	-	-	-	OWNER MANUAL WOODFIRES 2010	1
3	593287	-	-	-	-	-	INSTALL MANUAL WOODFIRES 2010	1
4	593290	-	-	-	-	-	F3000 INSTALLATION DATA SHEET	1

SURFACE FINISH CODES FOR PANELS

VITREOUS ENAMEL		VHT PAINT(Very High Temp)		POWDER COAT	
E01	MATT BLACK	V02	METALLIC BLACK	P02	MATT BLACK
E02	GLOSS BLACK	V03	CHARCOAL	P03	CHARCOAL
E03	CHARCOAL	V04	TITANIUM	P05	SATIN BLACK
		V05	CHARCOAL (DAM MET BLK)	P09	METTALIC BLACK
		V06	METALLIC BLACK ZINC		

When ordering PLEASE QUOTE PART ID along with Finish Suffix (if applicable)