

Masport® Heating

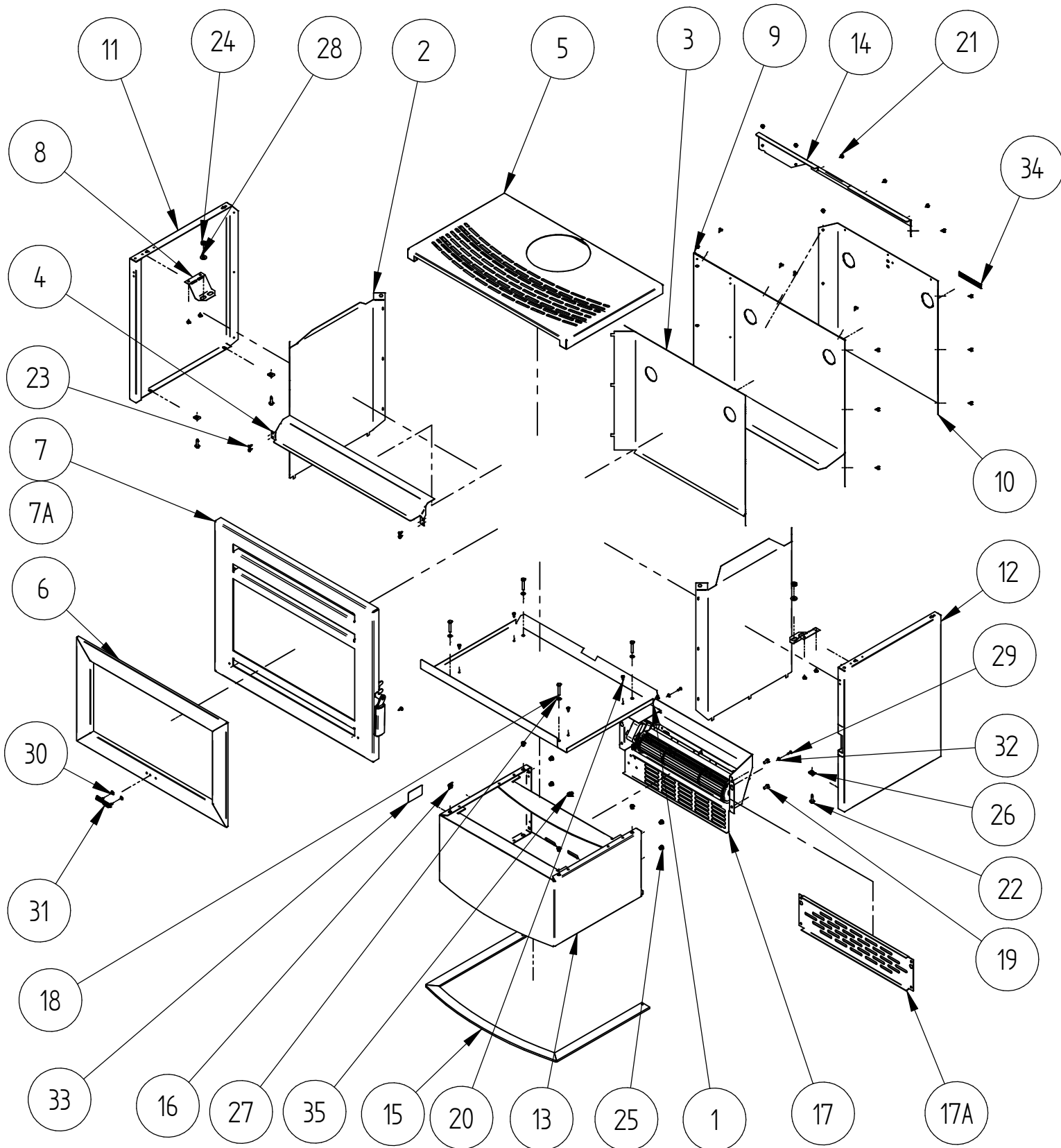
FREESTANDING WOOD FIRES

F7000 - AUSTRALIA

Item No.	MARKET	FUEL TYPE	FINISH	YEAR	FAN
993902	AU	HARDWOOD	Charcoal VHT - Charcoal VHT	May-2009	Optional
993903			Matt Black Enamel - Titanium VHT		
993904			Charcoal VHT - Charcoal VHT	Mar-2011	Yes
993905			Matt Black Enamel - Titanium VHT		
993907			Matt Black Enamel - Titanium VHT		



PANELS, DOOR AND PEDESTAL (Pre 2013)

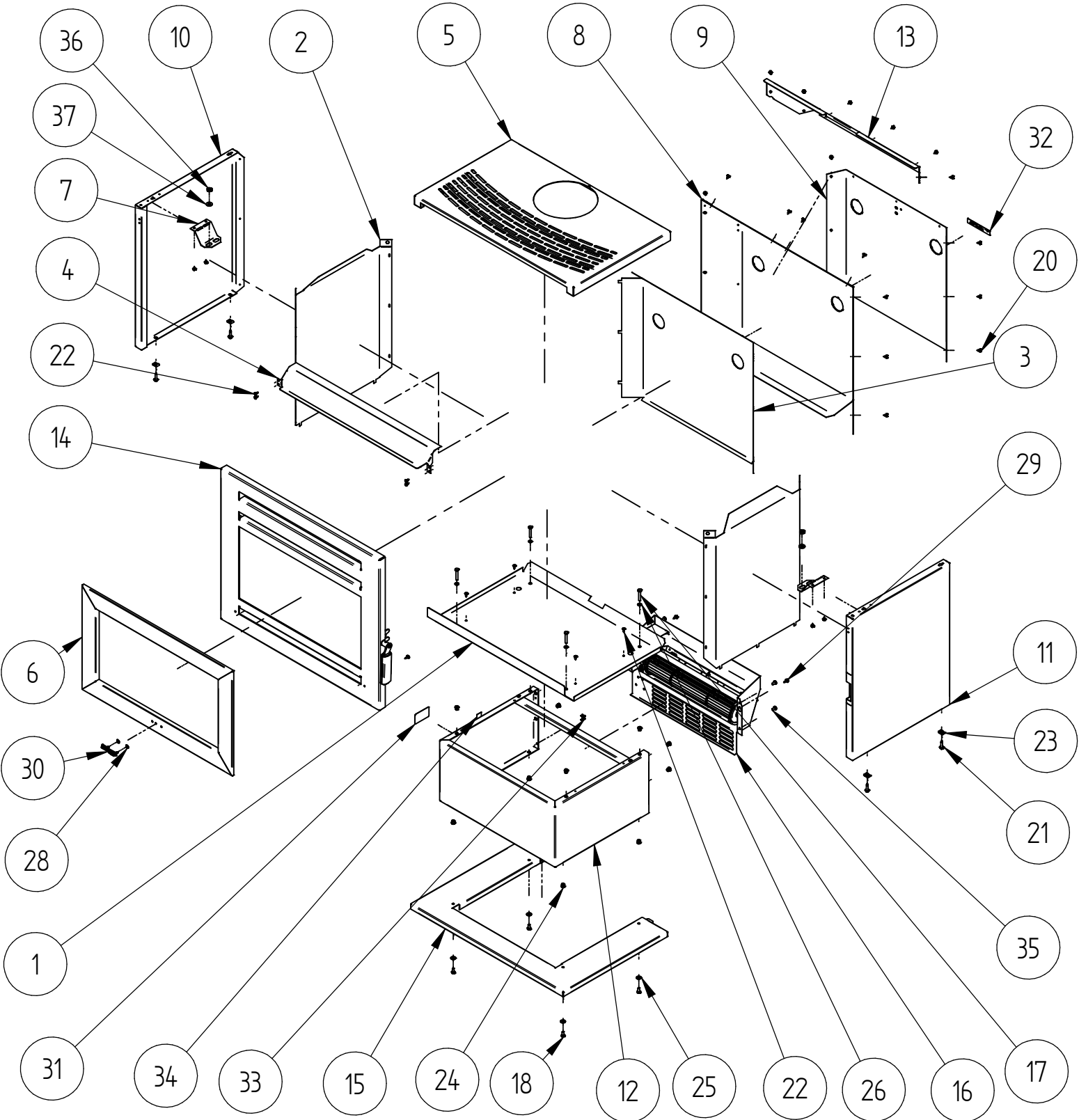


When ordering PLEASE QUOTE PART ID along with Finish Suffix (if applicable)

PANELS, DOOR AND PEDESTAL (Pre-2013)							
Item	Part ID	Model(s)				Description	Qty
		993902	993903	993904	993905		
1	993428	-	-	-	-	F7000 HEATSHIELD - BOTTOM	1
2	993433	-	-	-	-	F7000 HEATSHIELD SIDE	2
3	993434	-	-	-	-	F7000 REAR HEATSHIELD	1
4	993439	V02	V02	V02	V02	F7000 DEFLECTOR PANEL	1
5	993443	V05	E01	V05	E01	PANEL-TOP ASSY, F7000	1
6	993448	V02	V04	V05	V04	TRIM-DOOR, ASSY. F7000 TITANIUM VHT	1
7	993477	-N/A-	-	-N/A-	-	DOOR ASSY (SEE DOOR PAGE)	1
7A	993453	-	-N/A-	-	-N/A-		1
8	993457	-	-	-	-	F7000 BRACE - SIDE PANEL	2
9	993466	V05	P01	V05	P01	PANEL-REAR F7000	1
10	993468	V05	P01	V05	P01	PANEL-AIR DEFL. REAR, BTM F7	1
11	993469	V05	E01	V05	E01	F7000 SIDE PANEL LH	1
12	993470	V05	E01	V05	E01	F7000 SIDE PANEL RH	1
13	993471	V05	P02	V05	P02	PED ASSY- CURVED F7000	1
14	993476	V05	P01	V05	P01	PANEL-AIR DEFL. REAR, TOP	1
15	993483	V05	P02	V05	P02	F7000 FOOT ASSEMBLY	1
16	585631	-	-	-	-	DECAL EARTH	1
17	994791	-N/A-	-N/A-	P02	P02	FAN ASS'Y COMPL F3/F7 FER GAS BLK PC	1
17A	993480	P02	P02	-N/A-	-N/A-	PANEL-PED, BACK F7000 MET	1
18	521060	-	-	-	-	SCREW; M6X35 HEX ZP	4
19	521075	-	-	-	-	SCREW; M6X12 HEX ZP	4
20	521605	-	-	-	-	SCREW; S/T 10GX1/2" PAN POZI ZP	4
21	521635	-	-	-	-	SCREW; S/T 10GX3/8" HEX FLANGE BLK	27
22	521637	-	-	-	-	SCREW; S/T 12GX25 TIMBERTITE	4
23	521645	-	-	-	-	SCREW; S/T 8GX1/2" MUSH FLANGE POZI BLK	6
24	522118	-	-	-	-	NUT; HEX STD M8 ZP	2
25	522605	-	-	-	-	NUT; RIVNUT STD/FLANGE M6	8
26	522402	-	-	-	-	NUT; SPIRE SNU0537	4
27	523031	-	-	-	-	WASHER; FLAT M6 ZP	4
28	523034	-	-	-	-	WASHER; FLAT M8X19X1.6 ZP	2
29	524006	-	-	-	-	RIVET; 73 AS 5-5	2
30	526001	-	-	-	-	CLIP; STARLOCK 4 DIA SLP04	2
31	587836	-	-	-	-	BADGE MASPORT CAST	1
32	586149	-	-	-	-	SPACER-FRONT PANEL	2
33	594786	-	-	-	-	DECAL FAN OPERATION	1
34	595695	-	-	-	-	DECAL "BURN ONLY" COMBINED NZ/AUS	1
35	993789	-	-	-	-	EARTH CONNECTION SET	1

When ordering PLEASE QUOTE PART ID along with Finish Suffix (if applicable)

PANELS, DOOR AND PEDESTAL (2013 Onwards)

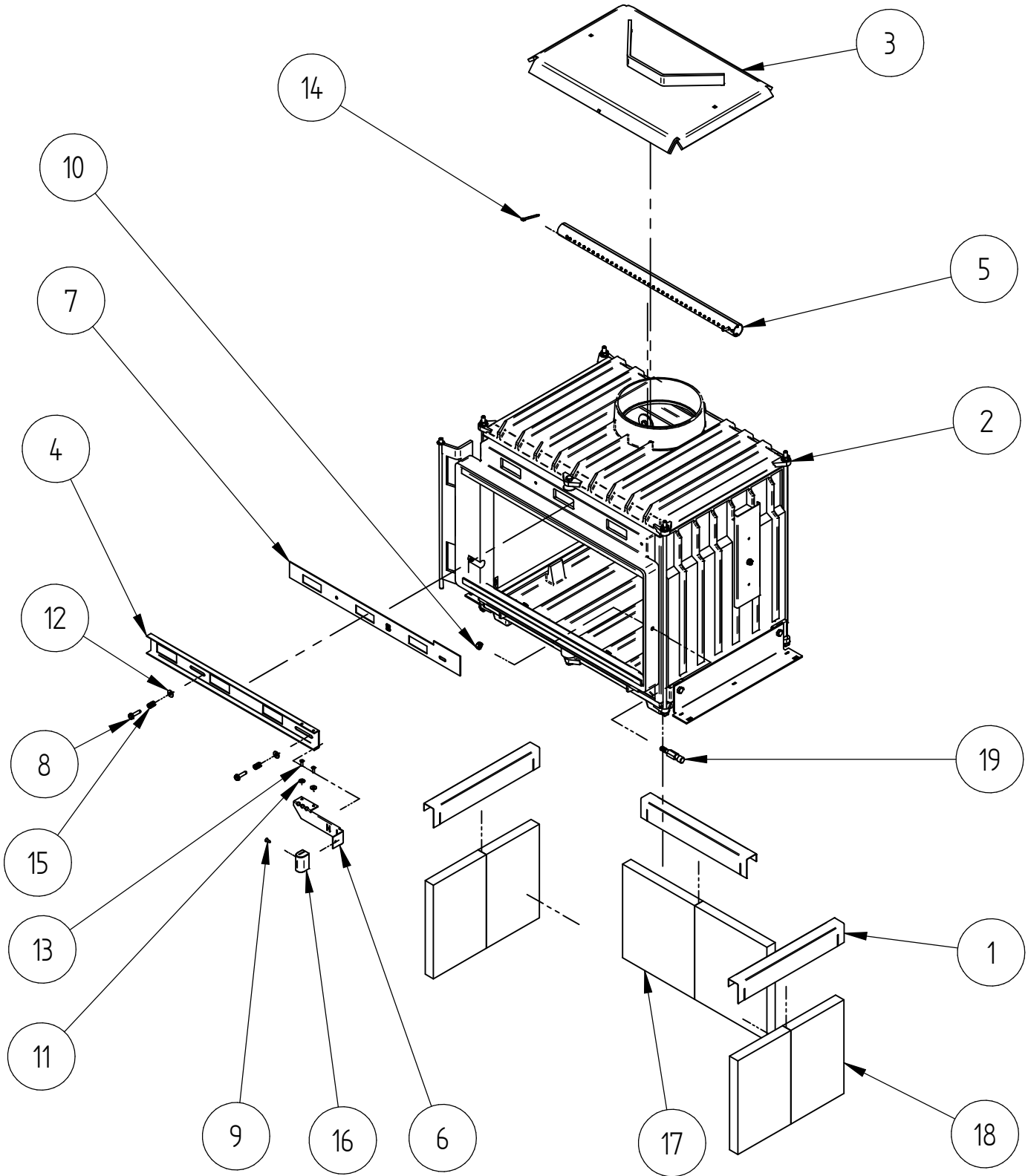


When ordering PLEASE QUOTE PART ID along with Finish Suffix (if applicable)

PANELS, DOOR AND PEDESTAL (2013 Onwards)				
Item	Part ID	Model(s)	Description	Qty
		993907		
1	993421	-	F7000 FLAT - HEATSHIELD BOTTOM	1
2	993433	-	F7000 HEATSHIELD SIDE	2
3	993434	-	F7000 REAR HEATSHIELD	1
4	993439	V02	F7000 DEFLECTOR PANEL	1
5	993443	E01	PANEL-TOP ASSY, F7000	1
6	993448	V04	TRIM-DOOR, ASSY. F7000 TITANIUM VHT	1
7	993457	-	F7000 BRACE - SIDE PANEL	2
8	993466	P01	PANEL-REAR F7000	1
9	993468	P01	PANEL-AIR DEFL. REAR, BTM F7	1
10	993469	E01	F7000 SIDE PANEL LH	1
11	993470	E01	F7000 SIDE PANEL RH	1
12	993423	P02	F7000 AU PED ASSY FLAT	1
13	993476	P01	PANEL-AIR DEFL. REAR, TOP	1
14	993477	-	F7000 DOOR ASSY (SEE DOOR ASSEMBLY PAGE)	1
15	993420	P02	F7000 AU PED FLAT FOOT	1
16	994791	P02	FAN ASS'Y COMPL F3/F7 FERGAS BLK PC	1
17	521060	-	SCREW; M6X35 HEX ZP	4
18	521075	-	SCREW; M6X12 HEX ZP	4
20	521635	-	SCREW; S/T 10GX3/8" HEX FLANGE BLK	27
21	521637	-	SCREW; S/T 12GX25 TIMBERTITE	4
22	521645	-	SCREW; S/T 8GX1/2" MUSH FLANGE POZI BLK	10
23	522402	-	NUT; SPIRE SNU0537	4
24	522605	-	NUT; RIVNUT STD/FLANGE M6	12
25	523007	-	WASHER; FLAT 1/4"X5/8"X0.049" ZP	4
26	523031	-	WASHER; FLAT M6 ZP	4
28	526001	-	CLIP; STARLOCK 4 DIA SLP04	2
29	521643	-	SCREW; S/T 8GX1/2" HEX POZI BLK	2
30	587836	-	BADGE MASPORT CAST	1
31	594786	-	DECAL FAN OPERATION	1
32	595695	-	DECAL "BURN ONLY" COMBINED NZ/AUS	1
33	596603	-	EARTH TAB RIVET BN11	1
34	585631	-	DECAL EARTH	1
35	521045	-	SCREW; M6X10 PAN POZI BLK	4
36	522118	-	NUT; HEX STD M8 ZP	2
37	523034	-	WASHER; FLAT M8X19X1.6 ZP	2

When ordering PLEASE QUOTE PART ID along with Finish Suffix (if applicable)

AIRSLIDE, BAFFLE, BRICKS AND FIREBOX (Pre-2013)



When ordering PLEASE QUOTE PART ID along with Finish Suffix (if applicable)

AIRSLIDE, BAFFLE, BRICKS AND FIREBOX (Pre-2013)							
Item	Part ID	Model(s)				Description	Qty
		993902	993903	993904	993905		
1	987146	-	-	-	-	CHANNEL - BRICK RETAINER LE7000	3
2	993425	-	-	-	-	F/B ASSY F7000	1
3	993436	V02	V02	V02	V02	BAFFLE ASSY STL F7000	1
4	993438	-	-	-	-	F7000 AIRSLIDE	1
5	993440	-	-	-	-	TUBE-SEC AIR,65X3.5 LE7/TO S/S	1
6	993451	-	-	-	-	F7000 & F2000 EXTENSION - AIRSLIDE	1
7	993459	-	-	-	-	F7000 PLATE - METERING 'F7' I.D. HOLES	1
8	521633	-	-	-	-	SCREW; S/T M6X25 HEX FLANGE TAPTITE	2
9	521642	-	-	-	-	SCREW; S/T 8GX1/2" CSK POZI ZP	1
10	522118	-	-	-	-	NUT; HEX STD M8 ZP	1
11	523000	-	-	-	-	WASHER; FLAT 3/16"X1/2"X18G ZP	2
12	523007	-	-	-	-	WASHER; FLAT 1/4"X5/8"X0.049" ZP	2
13	524006	-	-	-	-	RIVET; 73 AS 5-5	2
14	525105	-	-	-	-	COTTER PIN 5.0X40 ZP	1
15	585223	-	-	-	-	SPRING-COMPRESSIONAIR INLET	2
16	986162	-	-	-	-	KNOB-AIR CONTROL WOODFIRE	1
17	587112	-	-	-	-	BRICK-FIRE BACK	2
18	587145	-	-	-	-	BRICK-FIRE,SIDE	4
19	593481	-	-	-	-	PIN-DOOR LATCH LE7000	1

***Optional Sale Kit**

Note: Mar 14 onwards old wooden knobs were replaced by plastic knobs.

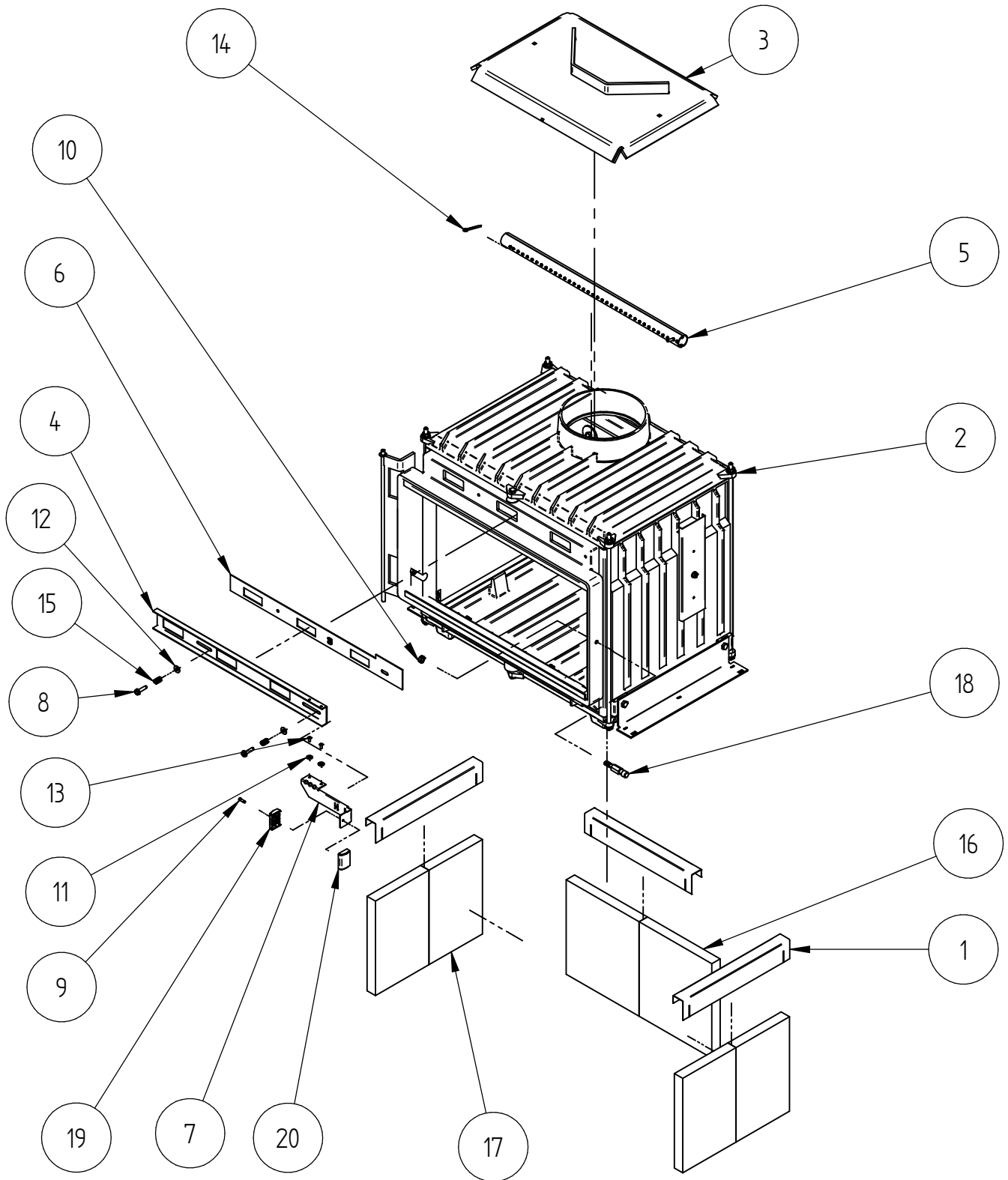
Old wooden knob parts:

1 X 986162 Air control knob

1 X 521642 Screw

Contact Customer service/Engineering Dept. for details of wooden knob system (Issue A).

AIRSLIDE, BAFFLE, BRICKS AND FIREBOX (2013 Onwards)



When ordering PLEASE QUOTE PART ID along with Finish Suffix (if applicable)

AIRSLIDE, BAFFLE, BRICKS AND FIREBOX				
Item	Part ID	Model(s)	Description	Quantity
		993907		
1	987146	-	CHANNEL - BRICK RETAINER LE7000	3
2	993425	-	F/B ASSY F7000	1
3	993436	V02	BAFFLE ASSY STL F7000	1
4	993438	-	F7000 AIRSLIDE	1
5	993440	-	TUBE-SEC AIR,65X3.5 LE7/TO S/S	1
6	993459	-	F7000 PLATE - METERING 'F7' I.D. HOLES	1
7	993488	-	F7000 & F2000 EXTENSION - AIRSLIDE	1
8	521633	-	SCREW; S/T M6X25 HEX FLANGE TAPTITE	2
9	521650	-	SCREW; 6Gx1/2" S/S TYPE 25 C/S POZI	1
10	522118	-	NUT; HEX STD M8 ZP	1
11	523000	-	WASHER; FLAT 3/16"X1/2"X18G ZP	2
12	523007	-	WASHER; FLAT 1/4"X5/8"X0.049" ZP	2
13	524011	-	RIVET; 73 MS 5-3	2
14	525105	-	COTTER PIN 5.0X40 ZP	1
15	585223	-	SPRING-COMPRESSIONAIR INLET	2
16	587112	-	BRICK-FIRE BACK	2
17	587145	-	BRICK-FIRE,SIDE	4
18	593481	-	PIN-DOOR LATCH LE7000	1
19	593651	-	AIRSLIDE KNOB BOTTOM LH	1
20	593652	-	AIRSLIDE KNOB TOP R/H PLAIN	1

***Optional Sale Kit**

Note: Mar 14 onwards old wooden knobs were replaced by plastic knobs.

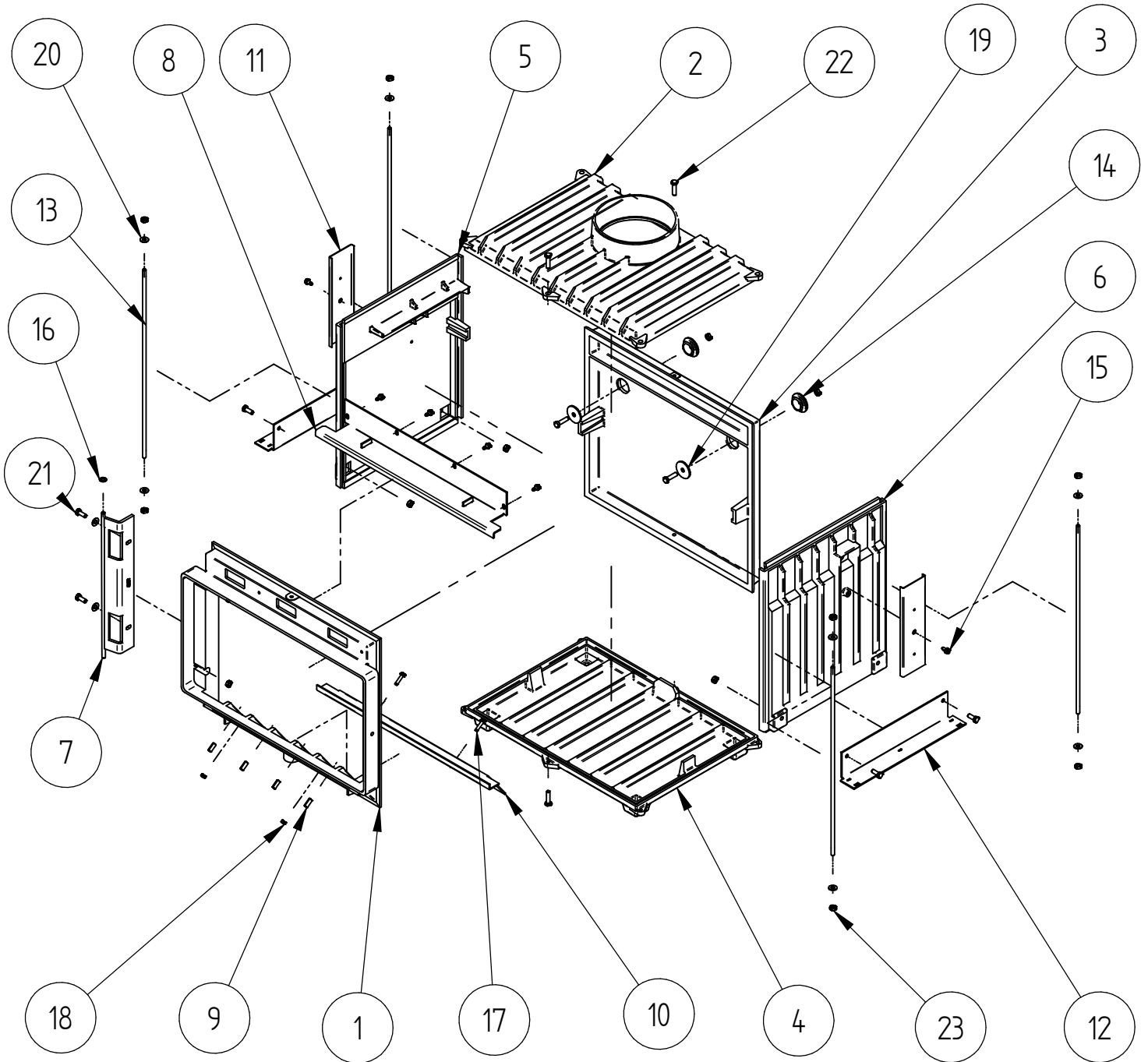
Old wooden knob parts:

1 X 986162 Air control knob

1 X 521642 Screw

Contact Customer service/Engineering Dept. for details of wooden knob system (Issue A).

FIREBOX DETAILS



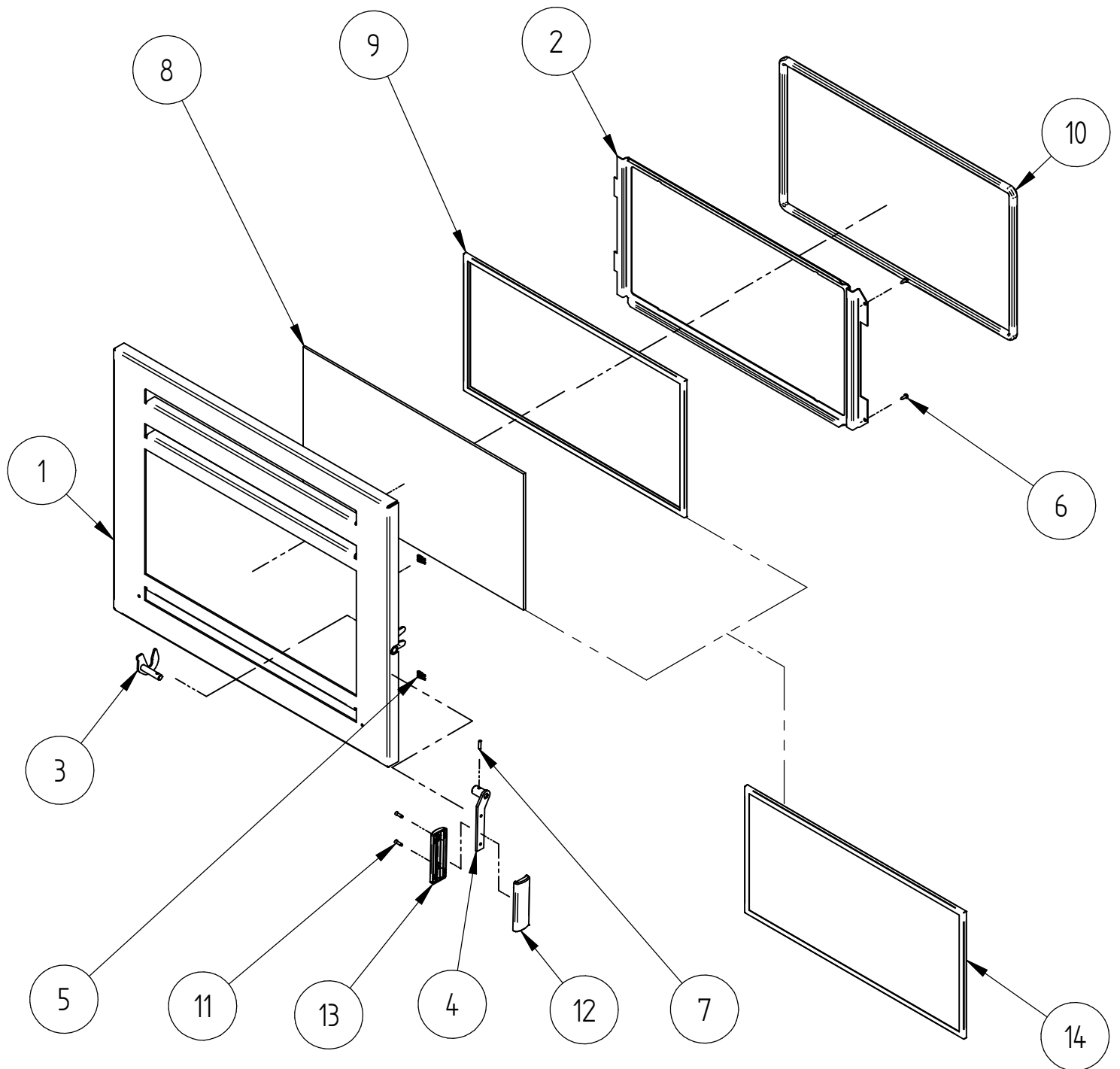
When ordering PLEASE QUOTE PART ID along with Finish Suffix (if applicable)

FIREBOX: 993425

Item	Part ID	Model(s)					Description	Qty
		993902	993903	993904	993905	993907		
1	695558	-	-	-	-	-	F/B FRONT GRANDVIEW	1
2	695544	-	-	-	-	-	FIREBOX TOP GRANVIEW	1
3	687103	-	-	-	-	-	F/B BACK LE7&PR/CLRDO/GDVW/TOR	1
4	687104	-	-	-	-	-	F/B BOTTOM LE7/CLRDO/GNDVW/TOR	1
5	687100	-	-	-	-	-	F/B SIDE LH LE7&PROV/CLRDO/TOR	1
6	687107	-	-	-	-	-	F/B SIDE RH LE7&PROV/CLRDO/TOR	1
7	993455	-	-	-	-	-	HINGE ASSY F7000	1
8	993479	-	-	-	-	-	DEFLECTOR ASSY- PRIMARY AIR F7000	1
9	525007	-	-	-	-	-	PIN; TENSION 8X20 BLK BISSELL 001791	4
10	986723	-	-	-	-	-	PLARE - BASE INNER F7000/ I-9000	1
11	986146	-	-	-	-	-	COVER - SECONDARY AIR	2
12	993467	-	-	-	-	-	F7000 PANEL BRACKET	2
13	587108	-	-	-	-	-	ROD; TIE M8X 510	4
14	684089	-	-	-	-	-	PLUG, 34DIAPITTS/FATS0/WFIRE	2
15	521601	-	-	-	-	-	SCREW; S/T 1/4"X1/2" HEX FLANGE ZP	6
16	523019	-	-	-	-	-	WASHER; FLAT 5/16"X5/8"X16G ZP	1
17	521633	-	-	-	-	-	SCREW; S/T M6X25 HEX FLANGE TAPTITE	2
18	522117	-	-	-	-	-	NUT; HEX STD M6 ZP	2
19	523035	-	-	-	-	-	WASHER; FLAT M8X22X3 HVY ZP	2
20	523034	-	-	-	-	-	WASHER; FLAT M8X19X1.6 ZP	10
21	521066	-	-	-	-	-	SCREW; M8X20 HEX ZP	6
22	521068	-	-	-	-	-	SCREW; M8X30 HEX ZP	6
23	522118	-	-	-	-	-	NUT; HEX STD M8 ZP	16

When ordering PLEASE QUOTE PART ID along with Finish Suffix (if applicable)

DOOR ASSEMBLY



When ordering PLEASE QUOTE PART ID along with Finish Suffix (if applicable)

DOOR ASSEMBLY: 993477

Item	Part ID	Model(s)					Description	Qty
		993902	993904	993903	993905	993907		
		993453		993477				
1	993452	V05	V05	E01	E01	E01	PANEL-DOOR ASSY F7000	1
2	994516	-	-	-	-	-	RETAINER - GLASS, COLORADO	1
3	993027	-	-	-	-	-	LATCH DOOR ASSY F7000	1
4	996616	-	-	-	-	-	PLATE - HANDLE ASSY	1
5	522401	-	-	-	-	-	NUT; SPIRE SNJ 0116/17/4/6	2
6	521619	-	-	-	-	-	SCREW; S/T 8GX1/2" PAN POZI ZP	2
7	525001	-	-	-	-	-	PIN; TENSION 4X16 BLK	1
8	593031	-	-	-	-	-	GLASS W/F CLRADO, GR PROV, F7, I9	1
9	C25MMGT	-	-	-	-	-	TAPE ,FLT 3 X 20 LDR AD BLK X 50m ROLL	1
10	C15MMDR	-	-	-	-	-	DOOR ROPE	1
11	521650	-	-	-	-	-	SCREW; 6GX1/2" S/S TYPE 25 C/S POZI	2
12	593598	-	-	-	-	-	I3000 DOOR HANDLE FRONT RH PLASTIC	1
13	593599	-	-	-	-	-	DOOR HANDLE REAR L/H PLASTIC	1
14*	793031	-	-	-	-	-	DOOR GLASS KIT	1

***Optional Sale Kit**

Note: Mar 14 onwards old wooden handles were replaced by 2-piece plastic handles.

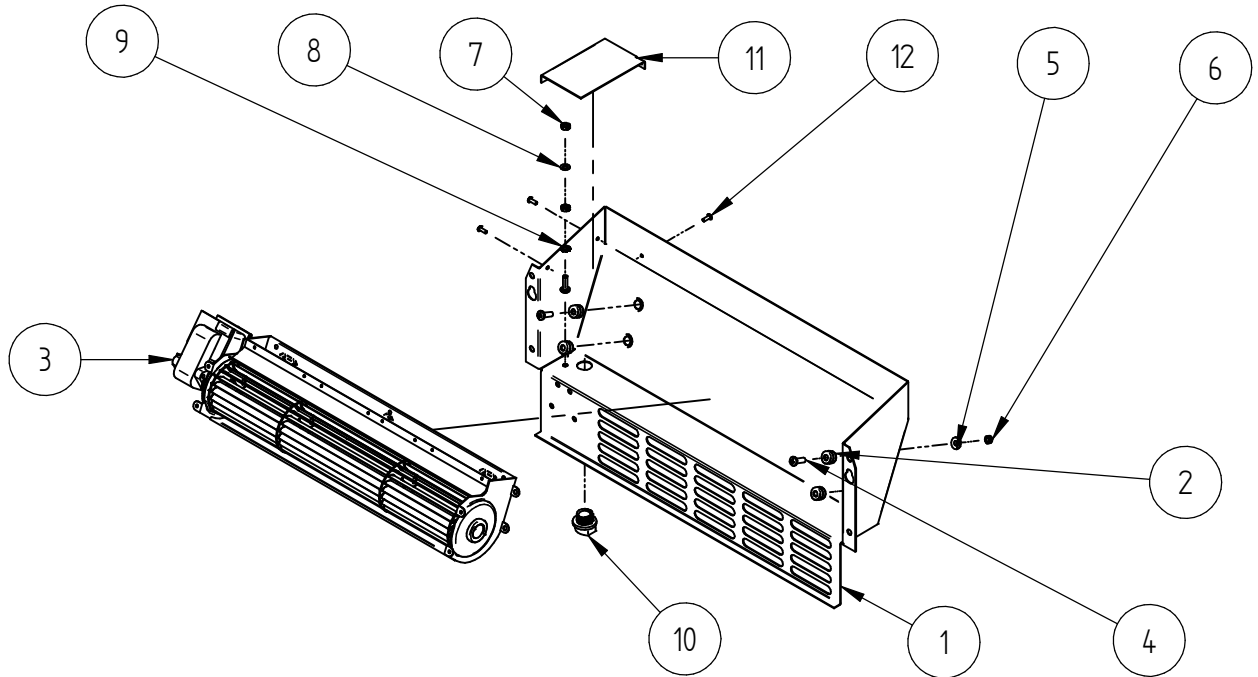
Old wooden handle parts:

1 X 586161 Door Handle

2 X 521628 Screws

Contact Customer service/Engineering Dept. for other parts of wooden handle system (Issue A).

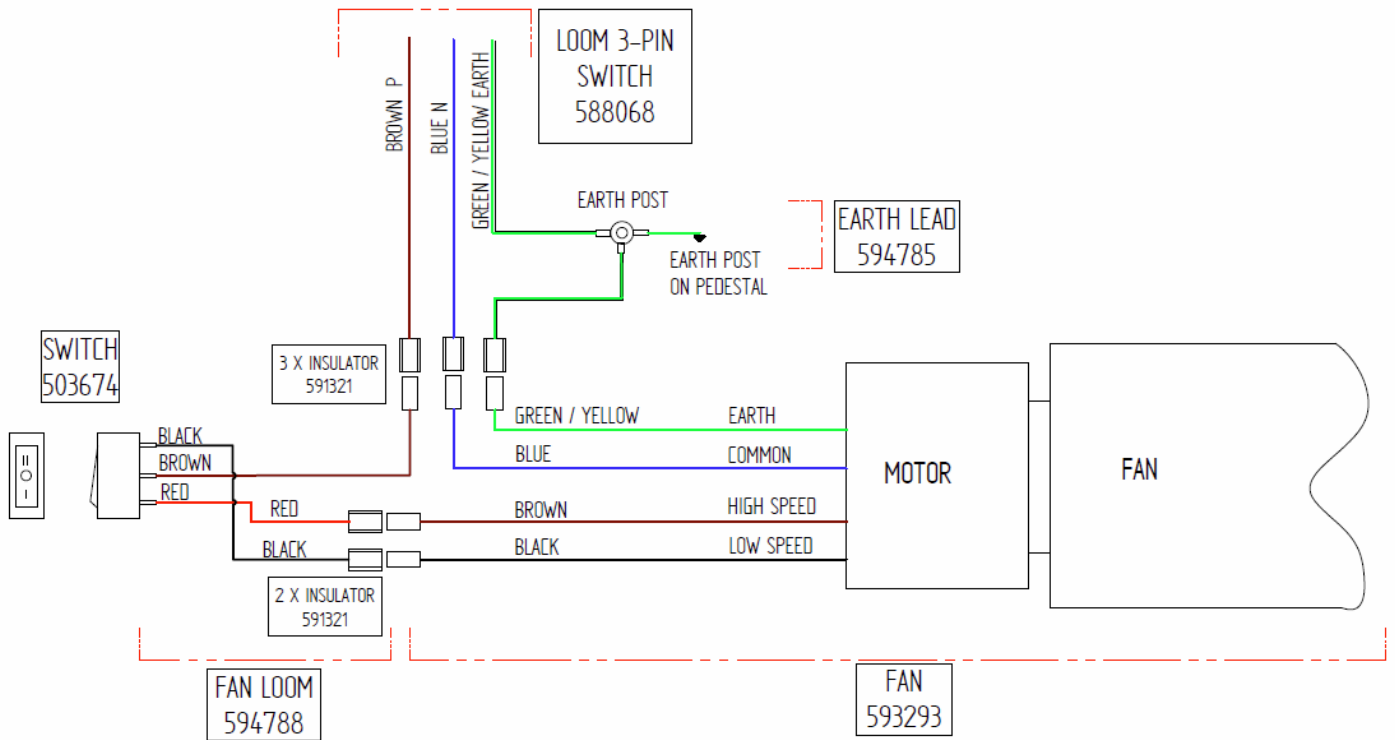
FAN BOX ASSEMBLY



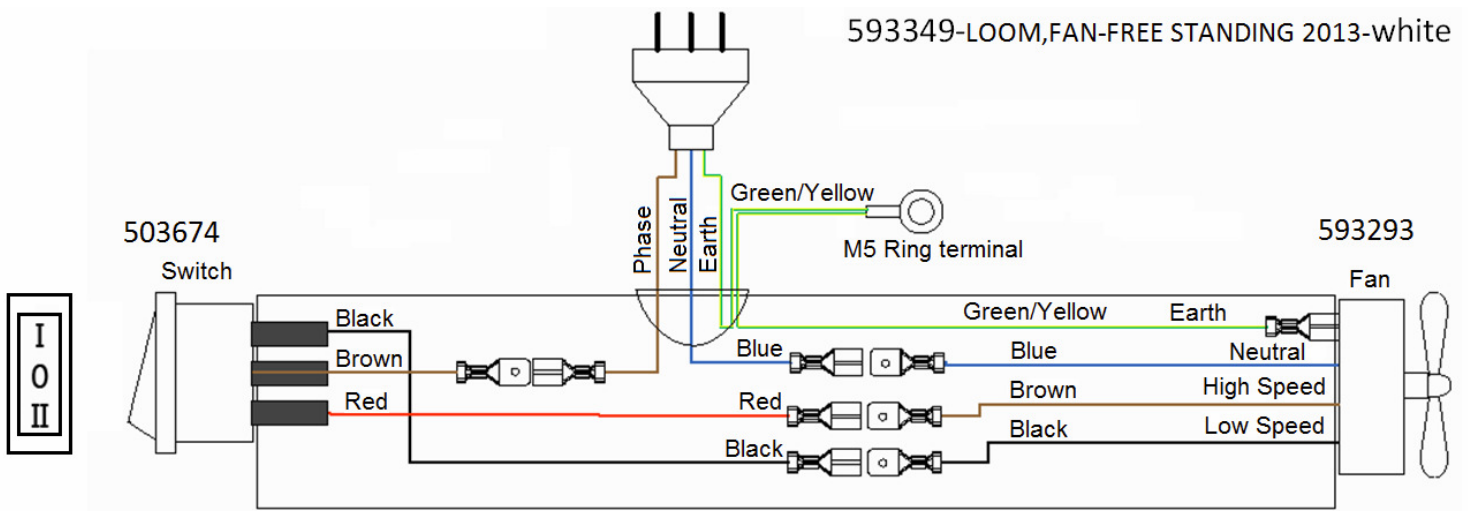
F3000/F3300C/F7000 FAN BOX ASSEMBLY								
Item	Part ID	Model(s)					Description	Qty
		993902	993903	993904	993905	993907		
1	994793	-N/A-	-N/A-	P02	P02	P02	F3/F7 FAN BRACKET (FERGAS)	1
2	529402			-	-	-	GROMMET; 14X6	4
3	593289			-	-	-	FAN-2 SP TANG W/F INB FERGAS 76082	1
4	521033			-	-	-	SCREW; M5X16 PAN POZI BLK	3
5	523000			-	-	-	WASHER; FLAT 3/16"X1/2"X18G ZP	2
6	522305			-	-	-	NUT; NYLOCK M5 ZP	3
7	522106			-	-	-	NUT; HEX STD M5 ZP	2
8	523028			-	-	-	WASHER; FLAT M5 BRS	1
9	523204			-	-	-	WASHER; STAR M5 EXT	1
10	529201			-	-	-	CLAMP; CABLE 16 LITTLE GRIPPER	1
11	994794			-	-	-	SHIELD FAN PANEL FERGAS F3000	1
12	524002			-	-	-	RIVET; 73 AS 4-3	3

When ordering PLEASE QUOTE PART ID along with Finish Suffix (if applicable)

FAN LOOM DIAGRAM



FAN WIRING DIAGRAM W/F FREESTANDING 2011 - 2013 (AUSTRALIAN MODELS ONLY)



FAN WIRING DIAGRAM W/F FREESTANDING 2013 ONWARDS

When ordering PLEASE QUOTE PART ID along with Finish Suffix (if applicable)

NOT ILLUSTRATED

Item	Part ID	Model(s)					Description	Qty
		993902	993903	993904	993905	993907		
1	587844	-	-	-	-	-	INSTRUCTION - BRICK LAYOUT	1
2	593286	-	-	-	-	-	OWNER MANUAL WOODFIRES 2010	1
3	593287	-	-	-	-	-	INSTALL MANUAL WOODFIRES 2010	1
4	593473	-	-	-	-	-	F7000 INSTALLATION DATA SHEET	1

SURFACE FINISH CODES FOR PANELS

VITREOUS ENAMEL		VHT PAINT(Very High Temp)			POWDER COAT	
E01	MATT BLACK	V02	P-000022	METALLIC BLACK	P02	MATT BLACK
E02	GLOSS BLACK	V03	P-000043	CHARCOAL	P03	CHARCOAL
E03	CHARCOAL	V04	P-000081	TITANIUM	P05	SATIN BLACK
		V05	P-000051	CHARCOAL (DAM MET BLK)	P09	METTALIC BLACK
		V06	P-000052	METALLIC BLACK ZINC		

LESS FREQUENTLY OR OLD SURFACE FINISH CODES FOR PANELS

VITREOUS ENAMEL		VHT PAINT(Very High Temp)			POWDER COAT	
E04	JASMINE	V01		SATIN BLACK HIGH TEMP	P01	BLUE/BLACK
					P04	GLOSS CHARCOAL
					P07	FLAT BLACK

When ordering PLEASE QUOTE PART ID along with Finish Suffix (if applicable)