

# INSTALLATION INSTRUCTIONS FOR R12000 SINGLE SKIN FLUE SHIELD 850mm

The flue shield is designed to fit externally on Flomet Universal Flue System with Decromesh for Masport R12000 wood fires

## ASSEMBLY INSTRUCTIONS

1. Unpack the flue shield ( Packed into R1200 pallet pack )
2. Attach the rear clearance bracket to the rear shield using 2x 8Gx1/2" self tapping screws as shown in Figure 1.
3. Use the hooking brackets to mark and drill holes for riveting. Place bracket symmetric around the seam of Decromesh pipe , as shown in Figure 2.
4. Rivet two hooking brackets with opening up , as shown in Figure3.
5. Complete Standard installation of main flue pipe & assembled decromesh (with hooking brackets) as shown in Figures 4 & 5.
6. Hang the flue shield assembly onto the hooking bracket behind the flue pipe as shown in Figure 6.
7. Make sure the bottom of heat shield is 65 mm from the top surface of cook top as shown in Figure 7 and hooking correct, as shown on Figure 8.

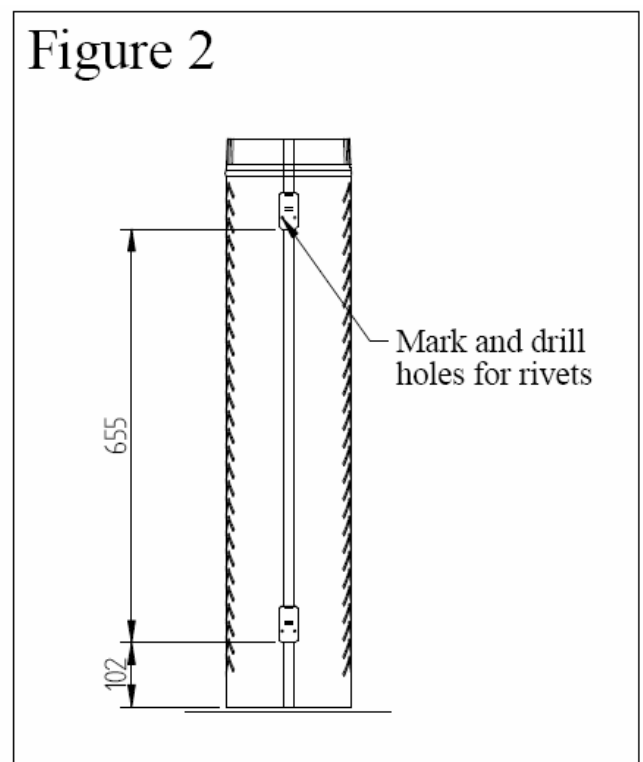
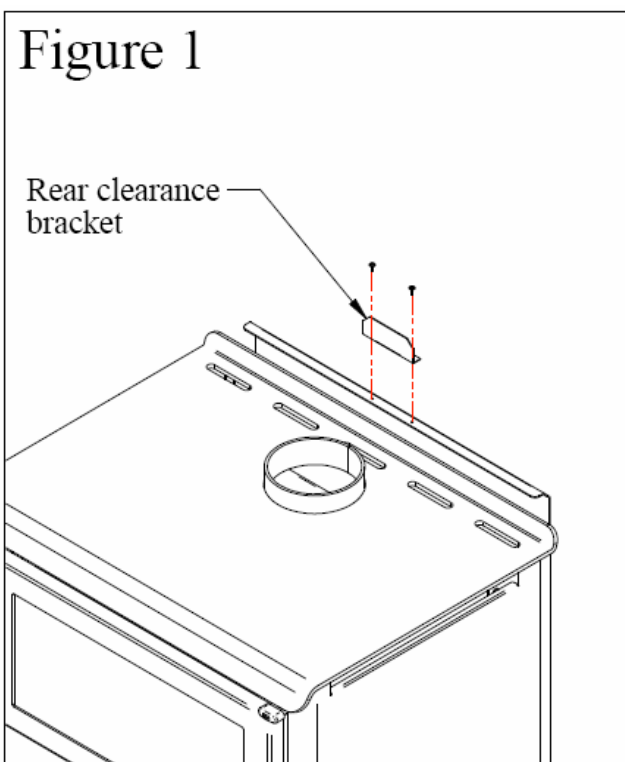


Figure 3

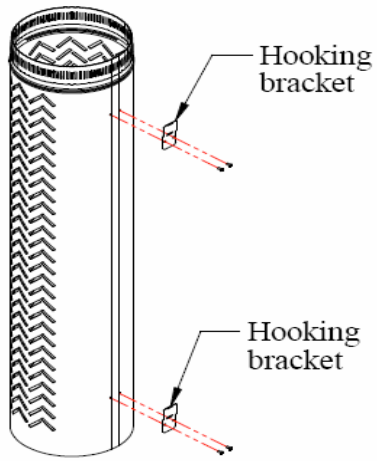


Figure 4

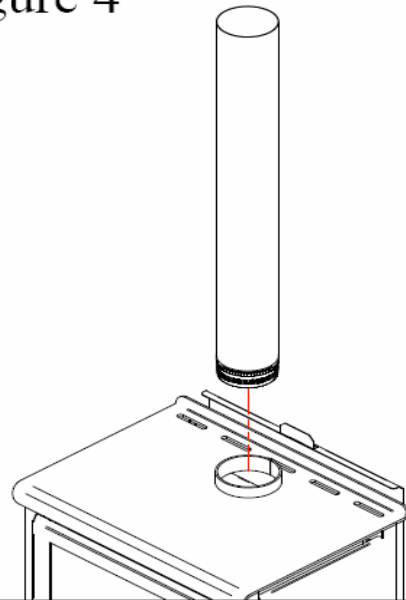


Figure 5

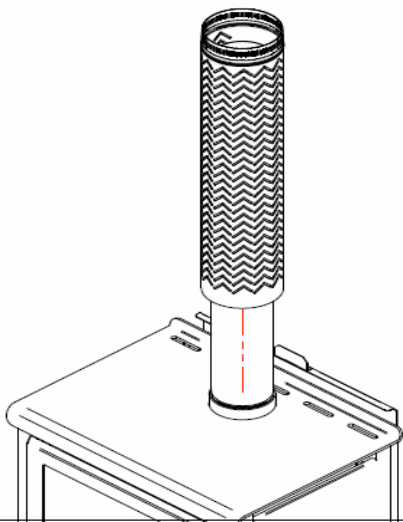


Figure 6

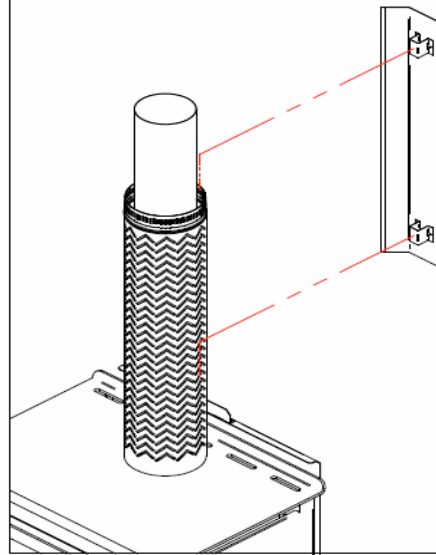


Figure 7

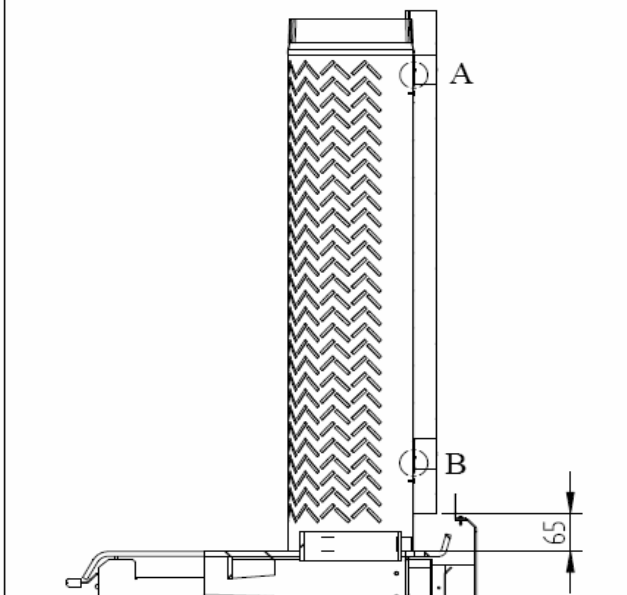


Figure 8

