



## Installation Notes

This face and panel set extend the insert into the fireplace an additional 1-1/4" (compared to the 3-piece panels). When using this face and panel set, make sure to accommodate the following:

- Allow an additional 1-1/4" inside the fireplace.
- The flue is located 1-1/4" to the rear.

## Compatibility

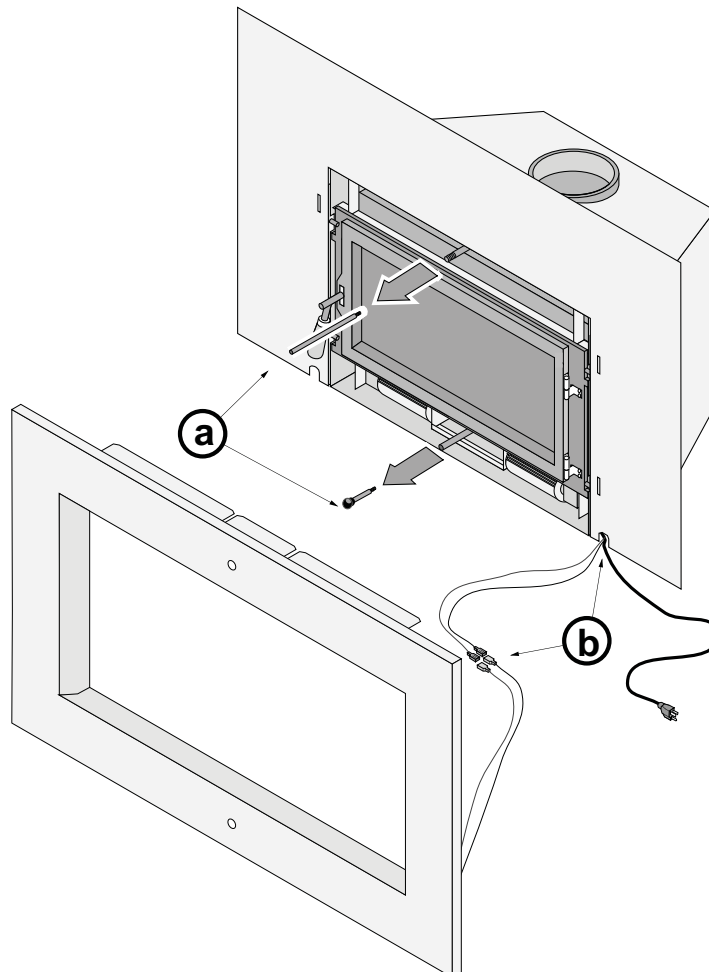
- Flush Wood Plus Insert Rectangle with 1-Piece Panel

## Packing List

- Face
- Extension Rods (2)
- Bypass Rod Handle

## Installation

1. Before installing the face, make sure the insert is in place, attached to the flue, and the surround panel is in place. Remove the bypass and air control rods (see "A" below).
2. Connect the rheostat wires and make sure the power cord is routed through the hole in the surround panel (see "B" below).



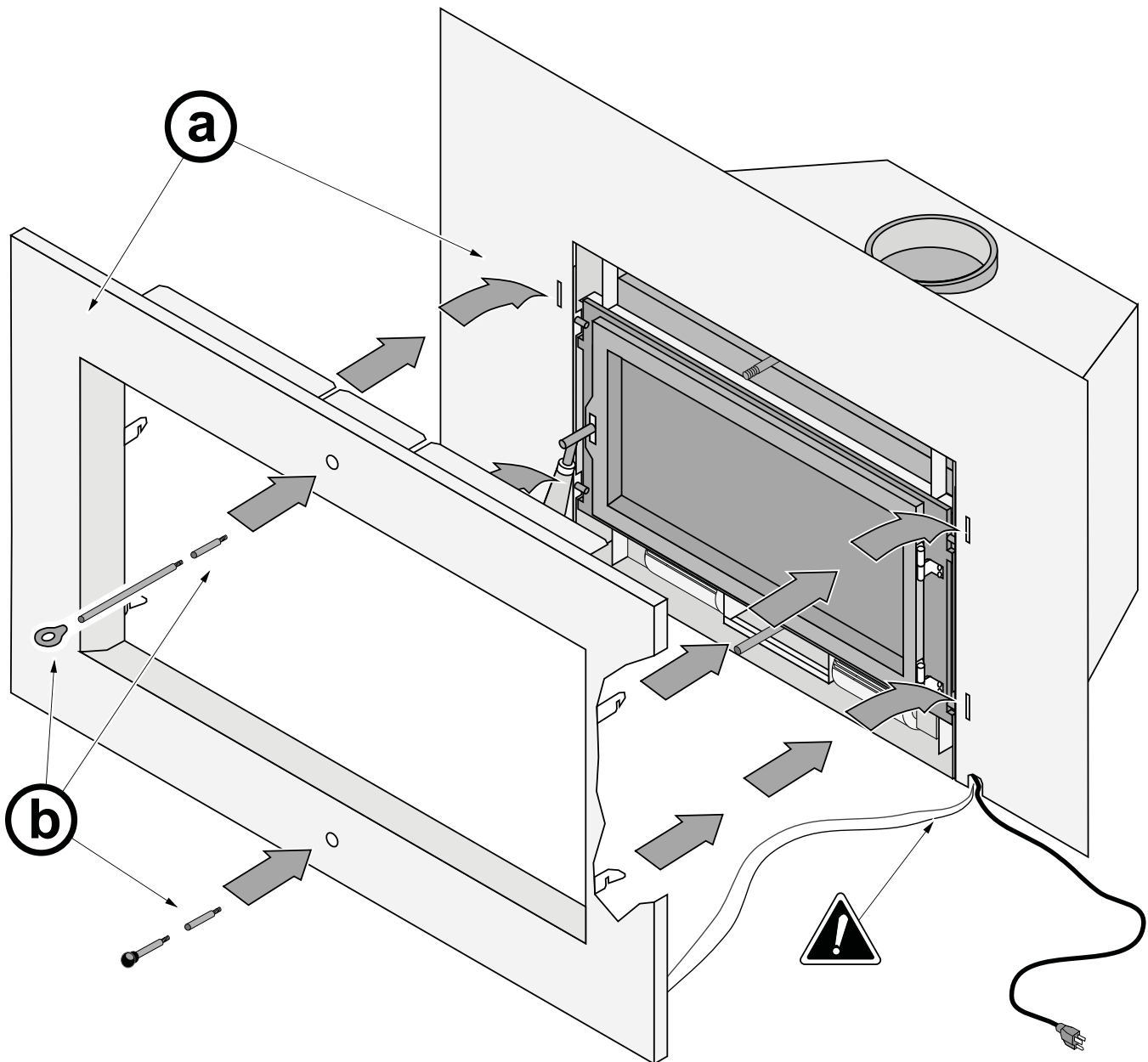


# Shadowbox Face –Flush Wood Plus

(95600654)

3. Attach the face as shown below (see “A” below).
4. Attach the air control and extender as shown below. Attach the bypass ring to the bypass rod, then to the bypass extender, and install onto the bypass yoke.

**WARNING:** Make sure all wiring is inserted into the cavity between the insert and the fireplace. Failure to do this may cause the wiring to become damaged.



**HINT:** While installing the bypass extension, reach into the firebox and hold the bypass plate and yoke. See the manual for a detailed view.