



Direct Vent Gas Fireplaces



GREEN SMART™ Features

GreenSmart™ Pilot

Both electronic & continuous pilot modes

Accent lights

Adding a warm glow for added atmosphere

Glide-Away™ or Drop Down Concealment Door

An elegant finish meaning no more exposed components

Energy Star Rating - Up to the equivalent of 5 Stars*

Comfort Control™

High turn down ratio with unique dual burner

Control Panel Lighting

Increased visibility of controls even in the dark

Smart Thermostat Mode

Option that automatically adjusts flame height to set temperature



‘It’s just a **smarter** way to live’

* Star rating varies according to product and flueing configuration



GREEN SMART™

What is GreenSmart™

The patent-pending GreenSmart™ System is the most innovative collection of components, controls and technology that when combined provide an elegant, smarter and greener way to heat your home. Innovative standard features include: accent lights, flame adjustments and a choice of pilots. An optional GreenSmart remote allows you to run the fireplace in “Smart Thermostat Mode” that automatically adjusts the heat output based on the temperature setting – so the flame will modulate up/down as opposed to shutting off/on like normal thermostats. This conserves fuel and maximises heating ability while extending the viewing pleasure of the fire.

Basic GreenSmart Control System

This dashboard is located under the front of the appliance and is operated manually. It has five components:



1. Optional Convection Blower Manual Rheostat Control.
2. Accent Light Manual Control - For ON/OFF and brightness adjustment.
3. Variable Flame Control: Adjusts flame and heat up and down.
4. Two Position Pilot Selection: Push up for continuous pilot and down for GreenSmart™ Pilot.
5. Comfort Control Module Includes:
 Comfort Control: This ON/OFF rocker switch electronically turns the rear portion of the burner on/off.
 Main Burner Switch: This switch turns the burner on/off
 Battery Back-Up: Allows you to operate the burner during power outages

Glide-Away™ or Drop Down Concealment Door

The control valve and wires are hidden by our new concealment door to provide an elegant, more finished appearance. The concealment door conveniently opens and closes for easy access to the controls.



Glide-Away Closed



Glide-Away Open

Highly Visible Dashboard

The GreenSmart basic controls of the unit are located on a black dashboard behind the concealment door. All controls are clearly labelled with white silk-screened lettering for easy reading.

Control Panel Lighting

When the concealment door is opened, control panel lighting is automatically turned on to make viewing controls on the dashboard easy even in a low light environment in the home.





Dancing-Fyre™ Split Flow Burner:

The Dancing-Fyre™ is found in our Lopi 564 GS, Lopi 864 GS and Lopi 864ST GS gas fireplaces and features a split-flow steel burner. The front and rear burners can be operated together for maximum heat output and flame appearance or with only the front burner for an impressive turn-down ratio. This flexibility allows for a continual flame appearance when lower heat output is needed and provides a smarter, greener way to heat the home.

Ember-Fyre™ Split-Flow Burner:

The award-winning Ember-Fyre™ gas burner technology is found in our DVL GS & DVS GS fireplace Inserts. The Ember-Fyre is known for its gorgeous, dancing yellow-flame fire with flickering embers – it is a split-flow ceramic burner where the two separate burners can be operated together for maximum heat output and flame appearance; or with only the front burner for a impressive turn-down ratio.

Choice of Pilots - Continuous Pilot or GreenSmart Pilot:

This switch allows you to run your fireplace in either standing pilot mode - where the pilot flame continually stays on, ideal during periods of extreme cold when a draft is needed for safe, reliable operation – or for maximum efficiency use the GreenSmart mode, where the pilot flame ignites via an intermittent pilot (IPI) spark that does not run continually and thus conserves energy when the fireplace is not being operated. The GreenSmart system includes a battery back-up, ensuring proper ignition even during power outages.



Comfort Control™ Features:

With the push of a button your Comfort Control will turn off the rear burner while leaving the front burner on for an attractive flame appearance when heat output is not the priority. This feature delivers a turn-down ratio of up to 72 percent! It works with the Green-Smart split-flow burners, and offers a more efficient way to heat the room by only burning the correct amount of fuel to keep a constant temperature; so this is another smarter, greener way to enjoy fire in the home.



Low Burn

Accent Lights

Accent Lights are a standard feature in all GreenSmart fireplaces. Lights add a warm glow to both the logs and optional ceramic or stainless steel fireback and can be used when the fire is on or off. Perfect as a night-light or soft indirect light for the room for visual enhancement of your fireplace 365 days a year.



High Burn

GreenSmart Remote Control System

This upgrade option (standard on DVL & DVS) includes a hand-held GreenSmart remote, GreenSmart receiver cartridge, servo motor for the gas valve, power control module and wire harness. All basic features are controlled via the hand-held remote control, which includes both front and rear burners with two additional exciting features:

- Programmable Thermostat Mode Controls
 - Fire ON/OFF and adjust flame height
 - Split-Flow Burner ON/OFF
 - “Smart Mode” ON/OFF
 - Thermostat Control Setting

• “Smart” Thermostat Mode:

This allows the heating appliance to automatically adjust the flame height based on a temperature set via the GreenSmart remote control’s thermostat. The flame will modulate from low to high, or high to low until the set temperature is reached, thus conserving fuel and maximizing heating ability to extend the viewing pleasure of the fire. The “Smart” mode also keeps the flame and blower operation closer in sync. When the desired room temperature is reached the flame will shut down. Since the fireplace has gradually decreased the fire and internal firebox temperature your convection fan will now run for a shorter period of time after the fire has gone off which will save energy.



Lopi™ Product Overview

MODEL	564GS	564 GS Diamond-Fyre™	564HO GS Dancing-Fyre™	564HO GS Ember-Fyre™	564HO GS Diamond-Fyre™
SPECS					
Mj Input					
High - NG/LPG	21.6	21.6	35	35	35
Low NG	5	5	10	10	10
Low LPG	4.5	4.2	7.5	7.5	7.5
Glass Type	Tempered	Tempered	Ceramic	Ceramic	Ceramic
Heating Capacity*	Up to 90*	Up to 90*	Up to 158*	Up to 158*	Up to 158*
Glass Size	797 x 460mm	797 x 460mm	797 x 460mm	797 x 460mm	797 x 460mm

FEATURES					
Burner Type	Dancing-Fyre™	Diamond-Fyre™	Dancing-Fyre™	Ember-Fyre™	Diamond-Fyre™
Media Type	Log	Linear	Log	Log	Fyre-Stone™ or Driftwood
Glass Media		•			•
Comfort Control	•	•	•	•	•
Top or Rear Vent	Rear or Top	Rear or Top	Top Only	Top Only	Top Only
Adjustable Air Shutter	•	•	•	•	•
Safety Screen	•	•	•	•	•
Zero Clearance	•	•	•	•	•
Masonry Install	•	•	•	•	•
Variable Speed Fan	•	•	•	•	•
Accent Lights	•	X 2	X 2	X 2	x 2
Wall Switch	•	•	•	•	•
Remote Control	Optional	Optional	Standard	Standard	Standard
LPG Conversion	•	•	•	•	•

OPTIONS TO VIEW OPTIONS REFER TO: PAGES 11-13

Grills - Multiple	•	•	•	•	•
Br Metal Glass Trim	•	•	•	•	•
Glass Bed - 3 Colours		•			•
Fireback Liners	Optional	Required	Required	Required	Required
Black Painted		•	•		•
Stainless Steel	•	•			•
Black Enamel	•	•		•	•
Rock Creek	•			•	
Diamond Mosaic	•			•	
Brick Effects - All	•			•	
Stucco	•			•	
Quilt / Basketweave	•			•	
Faces					
Shadowbox™	•	•	•	•	•
Studio Trims	•	•	•	•	•
All Other Faces (See Pages 12-13)	•	•	Not Available	Not Available	Not Available

TO VIEW OPTIONS REFER TO PAGES 11-13

864 GS	864ST	DVS GS	DVL GS	Cypress
--------	-------	--------	--------	---------



31	39.5	31	40	40
7	15.5	12.6	11.9	11.9
5.5	10.5	10.7	7.4	7.2
Tempered	Tempered	Ceramic	Ceramic	Ceramic
Up to 125*	Up to 135*	Up to 140*	Up to 185*	Up to 185*
865 x 570mm	865 x 570mm	614 x 324mm	696 x 396mm	Front 667 x 411

Dancing-Fyre™	Dancing-Fyre™	Ember-Fyre™ or Dancing-Fyre™	Ember-Fyre™ or Dancing-Fyre™	Dancing-Fyre™
Log	Log	Ember Log, Traditional Log, Fyre-Stone™ or Driftwood	Ember Log, Traditional Log, Fyre-Stone™ or Driftwood	Fyre-Stone™, Driftwood or Log
•	•	•	•	•
•	•	•	•	•
Rear or Top	Side or Top	Top Only Vertical	Top Only Vertical	Rear or Top
•	•	•	•	•
•	•	•	•	•
•	•	•	•	Freestanding
•	•	•	•	Freestanding
•	•	•	•	•
•	•	•	•	•
•	•	•	•	Switch on Rear
Optional	Standard	Standard	Standard	Standard
•	•	•	•	•

PAGES 11-13

PAGE 19

PAGE 19

PAGE 16

•	•			
•	•			
				•
Optional	Optional	Optional	Optional	Required
•	•			•
•	•	•	•	•
•	•			
•	•			
•	•	•	•	
•	•			
•	•			
		See Page 19	See Page 19	
•	•			
•	•	See Page 19	See Page 19	

*Heating capacity varies according to the size of closed off area, ceiling height, floor plan, insulation and outside air temperature

Lopi™ 564 GS Direct Vent Gas Fireplace



Lopi 564 GreenSmart™

Join the Lopi tradition by heating your home with the Lopi 564 GS gas fireplace. At Lopi we build only the highest quality fireplaces. Notice the detail and beauty in the log-set, the warm glowing fire and decorative faces available. The design of the Lopi 564 GS allows you to add the beauty of fire with a large viewing area while giving you control over the heat. The huge turn-down rate makes the 564 GS fireplace ideal for smaller rooms such as bedrooms and dens and for those not needing a large amount of heat, but still wanting to enjoy a beautiful fire year-round.

The Lopi 564 GS can be tailored to your home. Choose from a huge selection of grills, faces, and fireback liners to create your own personalised look.



Lopi 564 GS Shown with 4-Sided Studio Black Finishing Trim

Standard Grills Options



Standard Bostonian Grills



Standard Avalon Grills



Standard Arched FPX Grills

Features & Specifications

- 21.6Mj per hour (high) NG/ LPG
- 5Mj per hour (low) NG / 4.5Mj per hour (low) LPG
- Glass Size: 797mm wide x 460mm high
- Heating up to 90sqm*
- GreenSmart™ burner system
- 564 square inches of tempered fire viewing glass
- Split-Level (Dual Burner) Dancing-Fyre™
- Comfort Control Valve™
- Top or rear vent option on same unit.
- Zero clearance or masonry installation
- Variable convection fan for increased heat transfer
- Accent Lights supplied as standard
- LPG conversion kit included at no additional cost
- Standard wall switch included
- Optional Remote

Lopi 564 Birch log Set

(Alternative Upgrade From Standard)



FEATURING



Scan your QR Reader-here using your smart device to see the 564 GS Burning Video Footage

For fireplace overview, options & comparison refer to pages 4-5.

*Heating capacity varies according to the size of closed off area, ceiling height, floor plan, insulation and outside air temperature

Lopi™ 564 Diamond Fyre GS Direct Vent Gas Fireplace

Lopi 564 Diamond Fyre™ GreenSmart™

The 564 Diamond-Fyre does not utilise logs and embers. Instead, a sleek black enamel fire container holds the dancing flames. Glowing crushed glass, lit from below with the standard accent lights, surrounds the fire and sparkles with tiny reflections of the flames. Firebacks are required, and you can choose the black painted fireback, black enamel or opt for the brushed stainless steel fireback which reflects the ever-changing flames creating the illusion of multiple fires. Select from three colours of glass media for the firebox floor - Platinum (white), Cobalt (blue) or Bronze for your own customized display.

The 564 Diamond-Fyre will heat an area of up to 90 sqm with a maximum gas input of 21.6Mj. The turn-down ratio of 75% to a low input of 5Mj with natural gas or 4.2Mj with LPG allows great flexibility for year-round use. The Split-Flow ribbon burner allows the left and right sections to be shut off leaving only the center portion lit for times when the mood calls for a fire but the comfort level does not require a large heat output.

Lopi 564 Diamond Fyre™ GS
Shown with Black Shadow Box Face & Black Enamel Liner



Standard Glass Options



Reflective Platinum



Reflective Bronze



Cobalt Blue

Features & Specifications

- 21.6Mj per hour (high) NG/ LPG
- 5Mj per hour (low) NG / 4.2Mj per hour (low) LPG
- Glass Size: 797mm wide x 460mm high
- Heating up to 90 sqm*
- Energy Star Rating: 3.5
- GreenSmart™ burner system
- Linear, two-stage burner features tall flickering flames
- Choice of glass floor media - Platinum, Bronze or Cobalt Blue.
- Comfort Control Valve™
- Top or rear vent option on same unit.
- Zero clearance or masonry installation
- Variable convection fan for increased heat transfer
- Accent Lights supplied as standard
- LPG conversion kit included at no additional cost
- Standard wall switch included
- Optional Remote

FEATURING
GREEN SMART™



Scan your QR Reader here using your smart device to see the 564DF GS Burning Video Footage

Refer to lopi.com.au for further images & finishing options.

For fireplace overview, options & comparison refer to pages 4-5.

*Heating capacity varies according to the size of closed off area, ceiling height, floor plan, insulation and outside air temperature

Lopi™ 564HO GS Direct Vent Gas Fireplace



Lopi 564HO GS

Introducing this break through fireplace, the Lopi 564HO GS offers a choice of three different burner options; the high performance Ember-Fyre burner, the Dancing-Fyre burner or the contemporary Diamond-Fyre burner with a choice of Driftwood or Stones. The 564HO GS gas fireplace is sure to keep things warmed up year round with a heat output of 35Mj's and the ability to heat up to 158 square metres.* This high efficiency fireplace offers a turndown ratio of up to 71% (NG) or 79% (LPG). The 564HO also features close clearances to combustible mantles by incorporating "film cooling" technology, allowing for a more balanced look to the fireplace. The pyro-ceramic glass face enhances the radiant heat that ultimately warms the surfaces of your home helping assisting the high heating performance of this fireplace.



Lopi 564HO GS - Diamond-Fyre™ Burner with Fyre-Stone™ Rock Kit
Shown with Brushed Metal Shadowbox™ Face & Black Enamel Fireback Liner

Four Media Options



Dancing-Fyre™



Ember-Fyre™



Diamond-Fyre™ Driftwood Fire Art™

Features & Specifications

- 35Mj per hour (high) NG/LPG
- 10Mj per hour (low) NG / 7.5Mj per hour (low) LPG
- Up to 158 Sq Metres Heating Capacity*
- Glass Size: 797mm wide x 460mm high
- Energy Star Rating: 2.5
- GreenSmart™ burner system
- Choice of 3 Unique Burners / 4 Media Options
- Choice of Fireback Liners & Surrounds
- Split-Level / Dual Burner
- Zero clearance or masonry installation
- Variable convection fan for increased heat transfer
- Accent Lights supplied as standard
- LPG conversion kit included at no additional cost
- Standard wall switch included
- Optional GreenSmart™ Remote

The 564HO GS - '4 products in 1'

Create the look you desire with a burner and media option to suit any décor.

Scan your QR Reader here using your smart device to see the 564HO GS Burning Video Footage



FEATURING



For fireplace overview, options & comparison refer to pages 4-5.

*Heating capacity varies according to the size of closed off area, ceiling height, floor plan, insulation and outside air temperature

Lopi™ 864 GS Direct Vent Gas Fireplace



Lopi 864 GreenSmart™

The 864 GS is perfect for bigger rooms or as a beautiful, decorative fire all year long. It features a wide Mj turn down range for more heat flexibility and flame viewing options. A wide range of face styles and options are available to create a fire to suit you and your decor. The 864 GS features 864 square inches of viewing area.

Ultimate Flame Regulation

You have virtually unlimited flame variation with our Comfort Control™ switch and the variable flame control. Use all 31Mj's of flame on the coldest winter nights or turn it down to only 7Mj (NG) or 5.5Mj (LPG) for a romantic firelight on a warmer night. You can enjoy a full flame fire with maximum height or use the variable flame control to turn the flames lower when you want less heat. Use the Comfort Control™ switch to turn off the rear burner completely for a darker, more romantic fire and less heat.

Lopi 864 GS Shown with Brushed Metal Studio Trim & Black Enamel Fireback Liner



Standard Grills Options



Standard Bostonian Grills



Standard Avalon Grills



Standard Arched FPX Grills

Features & Specifications

- 31Mj per hour (high) NG/ LPG
- 7Mj per hour (low) NG / 5.5Mj per hour (low) LPG
- Glass Size: 865mm wide x 570mm high
- Heating up to 125sqm*
- Energy Star Rating: 3.5

- GreenSmart™ burner system
- 864 square inches of tempered fire viewing glass
- Split-Level (Dual Burner) Dancing-Fyre™
- Comfort Control™ Valve
- Top or rear vent option on same unit
- Zero clearance or masonry installation
- Variable convection fan for increased heat transfer
- Accent Lights supplied as standard
- LPG conversion kit included at no additional cost
- Standard wall switch included
- Optional Remote



Scan your QR Reader here using your smart device to see the 864 GS Burning Video Footage

FEATURING



Optional Aromatherapy available on Wilmington Face 864GS Only. Use your fire to add even more romance!

For fireplace overview, options & comparison refer to pages 4-5.

*Heating capacity varies according to the size of closed off area, ceiling height, floor plan, insulation and outside air temperature

Lopi™ 864ST GS Direct Vent Gas Fireplace

GREEN SMART™

Lopi 864ST GreenSmart™

A home is a combination of dreams and choices, each a reflection of you. From the most intimate engraved details on a fireplace face to the grandest of fires, our fireplaces bring a sense of style to your home. The 864ST GS maintains this tranquillity with a perfect balance between the firebox, logs and flames. The logs and fire have been carefully designed to give you a different look from either side. Compare the amazingly realistic nine piece log-set with any other see-thru fireplace on the market! The unique split-level Dancing-Fyre™ burner will give you a warm, yellow fire with glowing embers that your friends and family will have a hard time telling apart from a real wood fire.

The 864ST GS, a fireplace with two points of view. You can personalise each room using a different face on each side of the fireplace. Choose one of the standard grill sets or even choose one of the beautiful upgrade faces.



Lopi 864ST GS Shown with Bostonian Grills

Standard Grills Options



Standard Bostonian Grills



Standard Avalon Grills



Standard Arched FPX Grills

Features & Specifications

- 39.5Mj per hour (high) NG/ LPG
- 15.5Mj per hour (low) NG / 10.5Mj per hour (low) LPG
- Glass Size: 865mm wide x 570mm high
- Heating up to 135sqm*
- Energy Star Rating: 3.5
- GreenSmart™ burner system
- 1728 square inches of ceramic viewing glass
- Safety screen in front of glass included
- 9 piece log set provides different look each side
- Split-Level (Dual Burner) Dancing-Fyre™
- Top or side vent option on same unit
- Zero clearance or masonry installation
- Variable convection fan for increased heat transfer
- Accent Lights supplied as standard
- LPG conversion kit included at no additional cost
- Standard wall switch included
- Optional Remote

We dare you to compare!

The Lopi 864ST GS is not only one of the most realistic double sided gas fireplace in Australia, but is also a great heating option.



Scan your QR Reader here using your smart device to see the 864ST GS Burning Video Footage

FEATURING
GREEN SMART™

For fireplace overview, options & comparison refer to pages 4-5.

*Heating capacity varies according to the size of closed off area, ceiling height, floor plan, insulation and outside air temperature



After choosing your Lopi GreenSmart™ fireplace, select from the standard grills or choose one of our face options available for your selected fireplace (Refer page 12 & 13)

You can also add a fireback liner along with an optional remote control or wall thermostat.



Fireback Liners Options - Not Available for All Fireplaces - Refer to Page 4



Diamond Mosaic



Stucco



Rock Creek



Basket Weave



Straight Brick



Herringbone Brick



Quilt



Handmade Brick



Reclaimed Brick

Fireplace Options (564 GS, 564DF GS, 564HO GS, 864 GS & 864ST GS)



Enamel Black



Stainless Steel



Black Painted

Grill Options



Bostonian Black



Avalon



FPX (with removable top arch)



Bostonian Brushed Metal

Studio Trim / Finishing Options



4 Sided Brushed Metal Studio Trim - Black Bostonian Grills



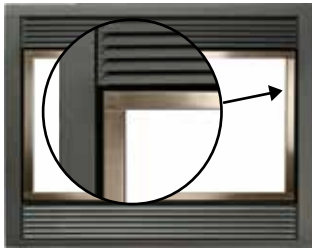
3 Sided Brushed Metal Studio Trim - Black Bostonian Grills



4 Sided Black Studio Trim - Black Bostonian Grills



3 Sided Black Studio Trim - Black Bostonian Grills



Optional Brushed Metal Glass Trim



Tip - To create a full stainless steel look choose the Bostonian Brushed Metal Grills, Brushed Metal Glass and Studio Trim.

Studio Trim Type	Width	Height
564 - 3 Sided	1060mm	819mm
564 - 4 Sided	1060mm	937mm
864 - 3 Sided	1175mm	985mm
864 - 4 Sided	1175mm	1102mm
Shadowbox™	Width	Height
564 Range	1149mm	819mm

Face Options (When used a grill is not required)

Please note that some faces require a non-combustible component to complete the installation. Please consult your Lopi dealer or consult the installation guide of each face option for more details. All installation guides are available in the documents tab of the relevant product on www.lopi.com.au



Shadowbox™ Brushed Metal



Shadowbox™ Black



Matrix Nickel



Rosario Black



Wilmington Nickel



Wilmington Black



Optional Aromatherapy available on Wilmington Face - 864 Only.



Arabesque Nickel Plated Grill Set to suit Wilmington Faces - 564 Only

Fireplace Options (564 GS, 564DF GS, 564HO GS, 864 GS & 864ST GS)



Classic Arch Black



Victorian Lace Black



Artisan Hand Hammered



French Country Black



Architectural Doors Rectangular



Architectural Doors Arched



Metropolitan Nickel



Metropolitan Black

Please contact your local dealer or check lopi.com.au for other face options and dimensions.

Glass Media (Where available)

Beautiful decorative glass media comes in a choice of three colours. The reflective glass media is bottom lit (564HO GS & 564DF GS) with the adjustable accent light and together with the flame gives the impression of millions of glowing, shimmering diamonds.



Reflective Platinum



Reflective Bronze



Cobalt Blue

Control Options

GreenSmart™ Remote

This allows you to take advantage of the GreenSmart™ features including 'Smart Mode.'



Wall Thermostat



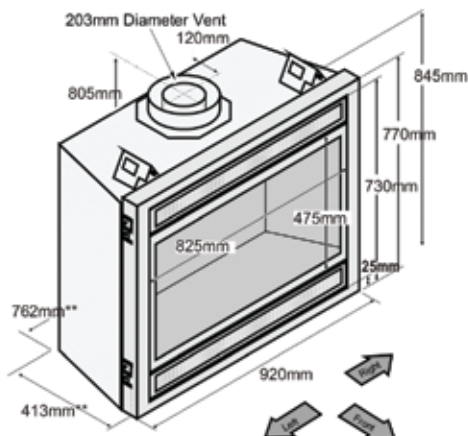
The wall thermostat gives you the ability to control your fireplace to a set temperature.

* Please note that not all options are available for every GreenSmart™ fire, ask your local Lopi dealer for details

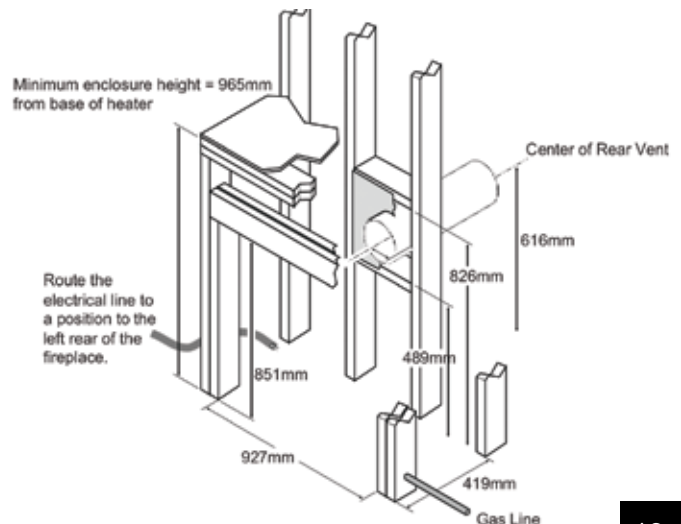
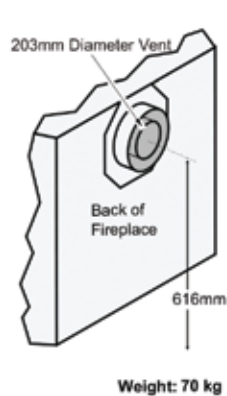
Framing Dimensions

Lopi 564 GS / 564 Diamond Fyre GS

Top Vent Configuration

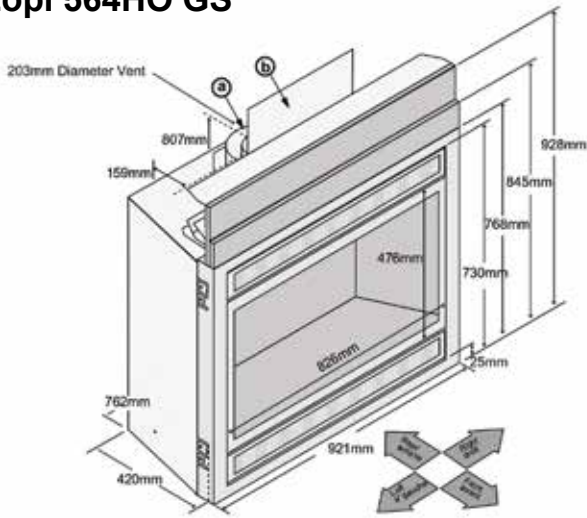


Rear Vent Configuration

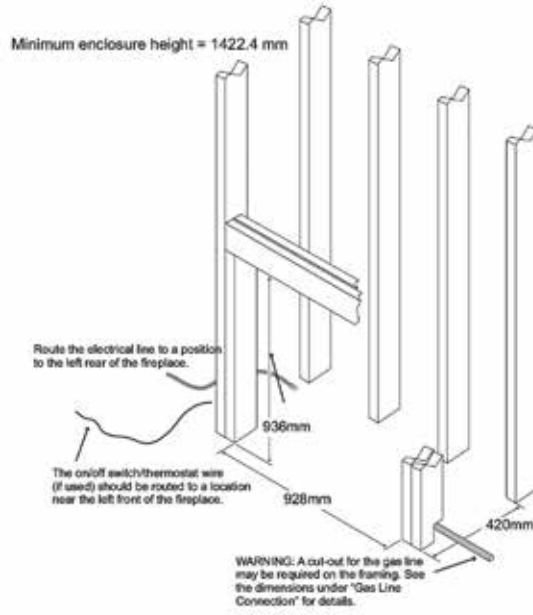


Lopi™ Framing Dimensions

Lopi 564HO GS

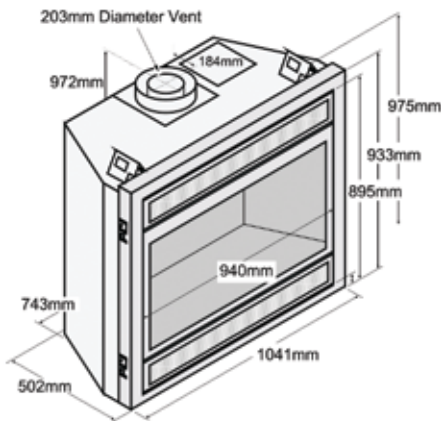


(a) Center Location of Vent
(b) Heat Shield (must be bent vertically after fireplace is in location)

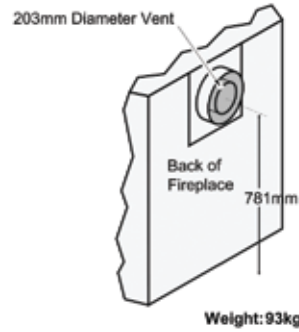


Lopi 864 GS

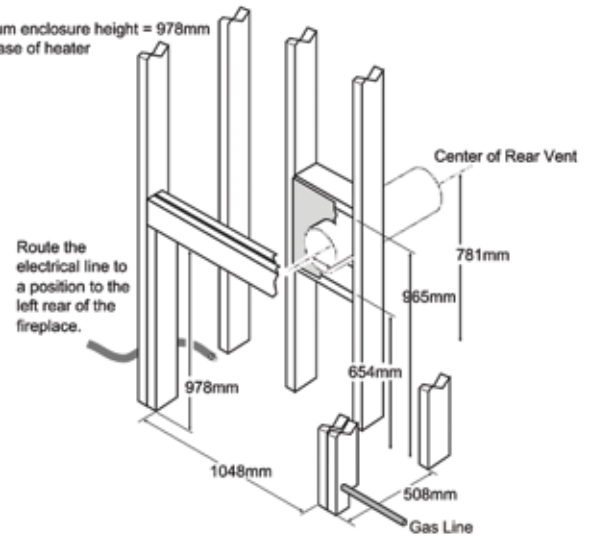
Top Vent Configuration



Rear Vent Configuration

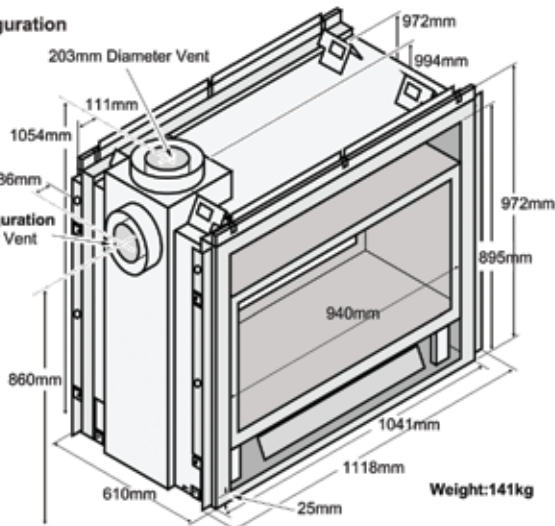


Minimum enclosure height = 978mm from base of heater



Lopi 864ST GS

Top Vent Configuration



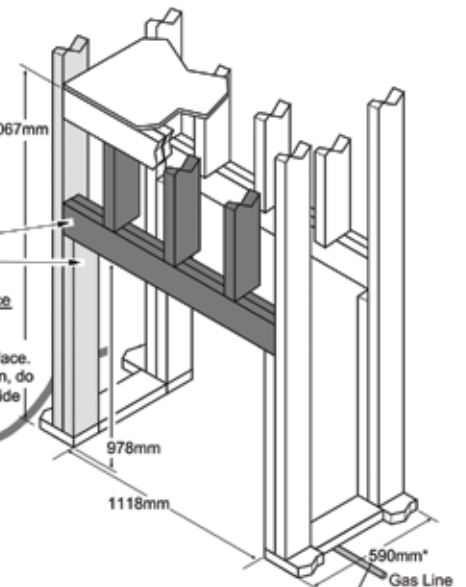
SideVent Configuration

203mm Diameter Vent

Minimum enclosure height = 1067mm from base of heater

NOTE:
The shaded framing must be installed after placing the fireplace in position. The framing above the fireplace interferes with the top of the fireplace. If using the side vent configuration, do not install the framing to the left side (shown in light gray).

Route the electrical line to a position to the left rear of the fireplace.



*Measurement based on using 10mm plasterboard around the perimeter of the timber frame. If using a thicker plasterboard or other material on the frame adjust accordingly



Cypress™ Direct Vent Freestanding Gas Fireplace



Lopi Cypress™ GreenSmart™

The Cypress features sleek, very clean lines and the choice of three interiors for a unique and timeless presentation of fire that lends itself to a wide range of architectural styles. The gentle radius-edges throughout accentuates its versatile design. What really makes the Cypress most unique is the incredibly large 749 square inches of fire viewing glass. This open, three-sided glass design allows you to view the incredible dancing-flames from any angle in the room. In addition to that you have the ability to choose your fire with a selection of three unique log/stone sets. A downward pointing accent light beautifully highlights the interior from the top down, giving the fire a radiance never before offered in a freestanding stove. This adjustable light can also be used when the fire is turned on low, or even off to highlight the stove interior for year round enjoyment!



Lopi Cypress™ GS Shown with Log Media



Detailed Log-set



Fyre-Stone™ Rock Kit



Driftwood Fire Art

Features & Specifications

- 40Mj per hour (high) NG/LPG
- 11.9Mj per hour (low) NG / 7.2Mj per hour (low) LPG
- Glass Size:
- Front - 667mm wide x 411mm high
- Sides - 268mm wide x 390mm high
- Heating up to 185Sqm*
- Energy Star Rating: 3.0
- GreenSmart™ burner system
- Safety Screen in front of glass included
- Dancing-Fyre™ features realistic glowing red embers and the most realistic fire of any gas stove
- Variable convection fan for increased heat transfer
- Accent Lights supplied as standard
- LPG conversion kit included at no additional cost

FEATURING



Scan your QR Reader here using your smart device to see the Cypress GS Burning Video Footage

For fireplace overview, options & comparison refer to pages 4-5.

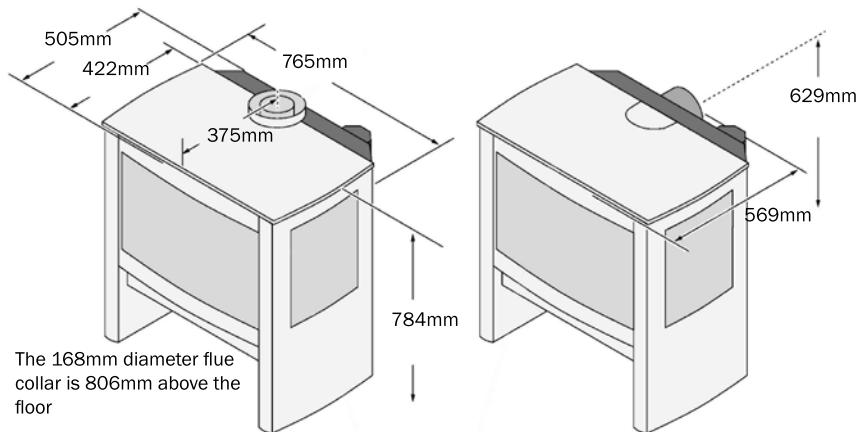
*Heating capacity varies according to the size of closed off area, ceiling height, floor plan, insulation and outside air temperature

Radiant and Convective Heating

The Cypress provides heat in two ways. Radiant heat comes off the stove in straight lines. Think of warming your backside around a campfire. Radiant heat gives gentle warmth and comfort to everything in the room. Convection heat works like a forced-air furnace. The built in heat exchanger harnesses the radiant energy from the fire and transfers it to the air as it naturally circulates around the firebox. The super-heated air is then delivered not just into the room but throughout the house through natural convection. The addition of the standard 165 CFM blower increases the flow of air around the firebox. This makes it easier to move the heat out of the room and into the rest of the house.

Installation Specifications

Always refer to and use the installation manual for complete install information
 Dimensions are subject to change at any time



Decorative Media Options

The Cypress has the option of three decorative media options, each with a distinctive and appealing look



Detailed Six Piece Log-set



Fyre-Stone™ Rock Kit with glass media
 Glass media comes in your choice of reflective Platinum, Bronze or Cobalt Blue.



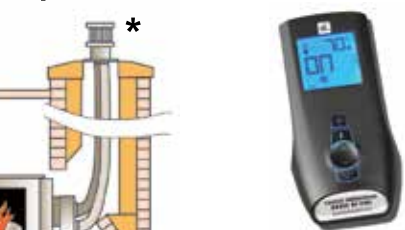
Driftwood Fire Art with glass floor media
 Glass media comes in your choice of reflective Platinum, Bronze or Cobalt Blue.

Optional Enamel Fireback



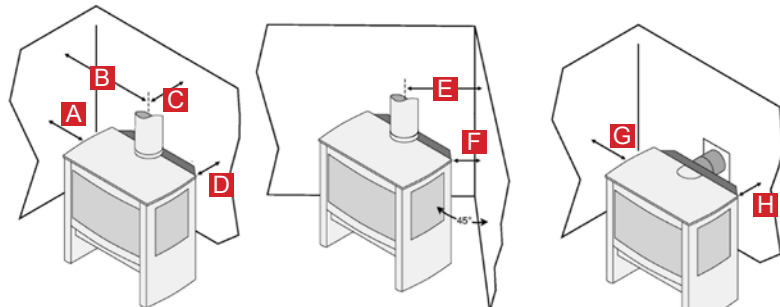
Pebbles shown are for illustration purposes only

Optional GreenSmart Remote



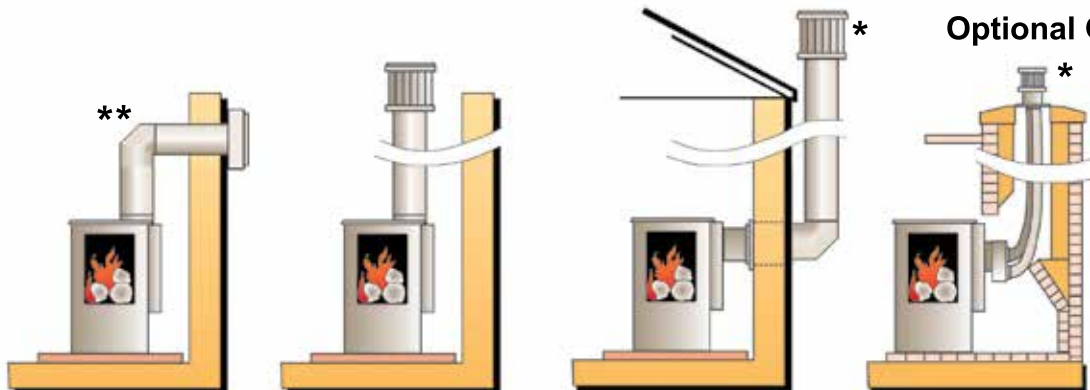
Stove Clearances to Combustibles

Straight Wall Installation Corner Installation Rear Vent Installation



- A** = Side Wall To Unit 254mm
- B** = Side Wall To Flue Center 638mm
- C** = Back Wall To Flue Center
- D** = 175mm

- E** = Corner To Flue Center 420mm
- F** = Corner To Unit 127mm
- G** = Side Wall To Unit 254mm
- H** = Back Wall To Unit 210mm



* A minimum of 3.6 metres of vertical flue is required from base of heater when rear vented. Refer to Installation Manual

** A minimum of 900mm of vertical flue is required when venting horizontally from the top of the stove. Refer to Installation Manual

Floor Protection Requirements

When the stove is installed directly on carpeting, vinyl or other combustible material other than wood flooring or a high pressure laminate wood floor, the stove must be installed on a metal or wood protection panel extending the full width and depth of the heater (Suggested Minimum Pad Size: 810mm wide x 510mm deep.)

Lopi™ DVS & DVL GS Direct Vent Gas Fireplace Inserts

Why Choose a Lopi GreenSmart™ Fireplace Insert?

The Lopi DVS GS & DVL GS Gas Inserts are designed to transform your old inefficient masonry fireplace and turn it into an efficient source of heat for your home. With the combination of convective heat, radiant heat and reduced depth dimensions on both models, these inserts are ideal for existing fireplace openings.

The Lopi DVS GS & DVL GS Inserts feature your choice of either the revolutionary Ember-Fyre™ Log effect Split-flow Burner, or the Dancing-Fyre™ Split-flow Burner with Traditional Log, Fyre-Stone™ Rock or Driftwood Fire Art.

The DVS GS & DVL GS Inserts come standard with ceramic glass resulting in greater radiant heat. This combined with a quiet convection blower means the heat is circulated from the fireplace quickly and evenly throughout the room increasing the overall efficiency. Both the Lopi Inserts now also come standard with the very popular accent light for an added glow when the fireplace is on or off and the Thermostat GreenSmart™ Remote Control. The GreenSmart Comfort Control™ feature allows you to turn off part of the burner with the push of the button to really turn down the heat while maintaining the fire and glowing embers. This allows you to comfortably use your fireplace all year round.

Lopi DVS GS Shown with Ember-Fyre™ Log & Shadowbox™ Face



Scan your QR Reader here using your smart device to see the DVS GS Burning Video Footage

Four Media Options



Traditional Log



Fyre-Stone Rock™



Driftwood Fire Art™

Lopi DVS GS Features & Specifications

- 31Mj per hour (high) NG/ LPG
- 12.6Mj per hour (low) NG 10.7Mj per hour (low) LPG
- Heating up to 140sqm*
- Energy Star Rating: Up to 5 Stars**
- GreenSmart™ burner system
- Ceramic glass for increased radiant heat
- Safety screen in front of glass included
- Split-Level (Dual Burner) Ember-Fyre™ or Dancing-Fyre™
- Comfort Control™ Valve
- Variable convection fan for increased heat transfer
- Accent Lights supplied as standard
- LPG conversion kit available
- GreenSmart™ Remote supplied as standard

DVS GS Dimensions

Unit Height: 496mm
 Unit width at front: 673mm
 Unit width at back: 457mm
 Unit depth: 385mm



Please Note:
 Electrical line positioned at the right hand side of the firebox (front view)

Gas Line positioned on the left hand side of the firebox (front view)

See owners manual for clearances to combustibile materials

For fireplace overview, options & comparison refer to pages 4-5.

*Heating capacity varies according to the size of closed off area, ceiling height, floor plan, insulation and outside air temperature

** Star rating varies according to flueing configuration
 Minimum Energy Star Rating of 3.5 Stars with 2.5 metres of flue, and up to the equivalent of 5 Stars with 12.2 metres of flue.



DVS & DVL GS Direct Vent Gas Fireplace Inserts



Lopi DVS GreenSmart™

The Lopi DVS GS Direct Vent Small Insert will turn your existing inefficient fireplace into a convenient, efficient and cost effective source of gas heating. With the combination of convective heat, radiant heat from the ceramic glass and reduced depth dimension this insert is ideal for small to mid-sized masonry fireplaces. The DVS GS Insert is perfect for zone heating in small to mid-sized living, heating up to 140 Sq mtrs*.

Lopi DVL GreenSmart™

The Lopi DVL GS Direct Vent Large Insert is a larger version of the DVS GS, with an increased height and width dimension. The DVL GS is ideal for medium to large masonry fireplaces and is perfect for zone heating in large rooms, heating up to 185sqm.

The choice of face options, the realistic glow of the logs and flame from the Ember-Fyre™ combined with all of the GreenSmart™ features means the Lopi Direct Vent Inserts are industry leading.

Scan your QR Reader here using your smart device to see the DVL GS Burning Video Footage



Lopi DVL GS Shown with Ember-Fyre™ Log, Cypress Face & Black Enamel Fireback Liner



Four Media Options



Traditional Log



Fyre-Stone Rock™



Driftwood Fire Art™

Lopi DVL GS Features & Specifications

- 40Mj per hour (high) NG/ LPG
- 11.9Mj per hour (low) NG 7.4Mj per hour (low) LPG
- Heating up to 185sqm*
- Energy Star Rating: Up to 5 Stars**
- GreenSmart™ burner system
- Ceramic glass for increased radiant heat
- Safety screen in front of glass included
- Split-Level (Dual Burner) Ember-Fyre™ or Dancing-Fyre™
- Comfort Control™ Valve
- Variable convection fan for increased heat transfer
- Accent Lights supplied as standard
- LPG conversion available
- GreenSmart™ Remote supplied as standard

DVL GS Dimensions

- Unit Height: 603mm
- Unit width at front: 800mm
- Unit width at back: 510mm
- Unit depth: 370mm



Please Note: Electrical line positioned at the right hand side of the firebox (front view)

Gas Line positioned on the left hand side of the firebox (front view)

See owners manual for clearances to combustible materials

For fireplace overview, options & comparison refer to pages 4-5.

*Heating capacity varies according to the size of closed off area, ceiling height, floor plan, insulation and outside air temperature

** Star rating varies according to flueing configuration Minimum Energy Star Rating of 3.5 Stars with 2.5 metres of flue, and up to the equivalent of 5 Stars with 12.2 metres of flue.



Fireplace Insert Options & Dimensions



Face Options

A face is required for your Lopi insert, choose from the number of designs featured below to suit your decor.

Rosario Face - Available with black, nickel or bronze trim

Universal Face - Large or Small



Discovery Face - Available with black, antique gold or nickel trim



Cypress Face



Shadowbox™ Face



Shown with Small One Piece Panel

Face Dimensions

Face Type	DVS GS	DVL GS
Rosario / Discovery	547mm high x 812mm wide	660mm high x 908mm wide
Universal Small	585mm high x 940mm wide	686mm high x 1016mm wide
Universal Large	730mm high x 1116mm wide	838mm high x 1118mm wide
Cypress	635mm high x 965mm wide	763mm high x 1070mm wide
*Shadowbox™	528mm high x 770mm wide	631mm high x 862mm wide

*Note: When using the Shadowbox™ Face a One Piece Panel is required

Surround Panel Options

Surround panels are available in several different sizes to finish off your fireplace. The primary purpose is to cover the gap or remaining space between the face (above) and the masonry opening in your fireplace.



Can be modified to fit inside original fireplace



Available in 3 Sizes, Can be cut down to suit opening



Offers a finish to fireplaces that are elevated. This panel will cover up to 177mm below the insert

Panel	DVS GS	DVL GS
4 x 6"	635mm high x 942mm wide	737mm high x 1016mm wide
8 x 10"	733mm high x 1025mm wide	848mm high x 1122mm wide
10 x 13"	810mm high x 1127mm wide	924mm high x 1224mm wide
1 Piece	DVS GS	DVL GS
Large	724mm high x 1016mm wide	863mm high x 1117mm wide
Small	635mm high x 965mm wide	774mm high x 1066mm wide

Fireback Liners

Fireback liners enhance the look of your fire. The different brick options offer a realistic look to your fire casting shadows when used in conjunction with the standard accent lights. The black enamel is highly reflective meaning the appearance of even more flame and stunning reflections.



Straight / Herringbone Brick



Handmade Brick



Stainless Steel

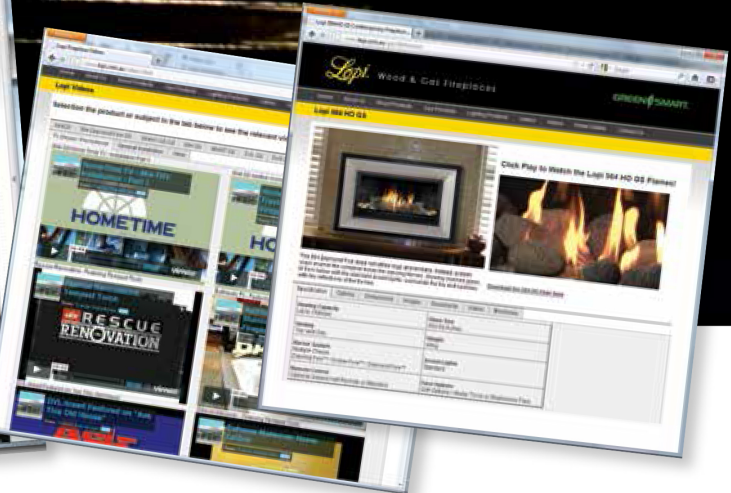


Enamel Black



Explore our fireplaces and be inspired at www.lopi.com.au featuring:

- Image / Ideas Gallery
- Burning Video Footage
- Comprehensive Video Gallery
- Full Specifications & Option Listings
- Downloadable Documents & Manuals
- Find Your Closest Lopi Dealer



Authorised Lopi Dealer:

- SPECIALIST LOPI DEALER -

**HEAT WOODS
COOL WORKS**

126 MAGILL RD NORWOOD // 608 NORTH EAST ROAD HOLDEN HILL



www.stevewaughfoundation.com.au



Distributed in Australia
by Dragon Wholesaling Pty Ltd

Ph. 1800 064 234

www.lopi.com.au

Note: Improper installation of your gas appliance or failure to operate it in accordance to the guidelines detailed in the Installation Manual may negate your warranty and endanger your home and family. Installation information is available on our website at www.lopi.com.au
We recommend all Lopi appliances be installed and maintained on an annual basis by your local authorised Lopi dealer

Brochure V0213