



MODEL

HESTIA 2 CLEAN AIR
HESTIA CLEAN AIR HW

INSTALLATION SPECIFICATION SHEET

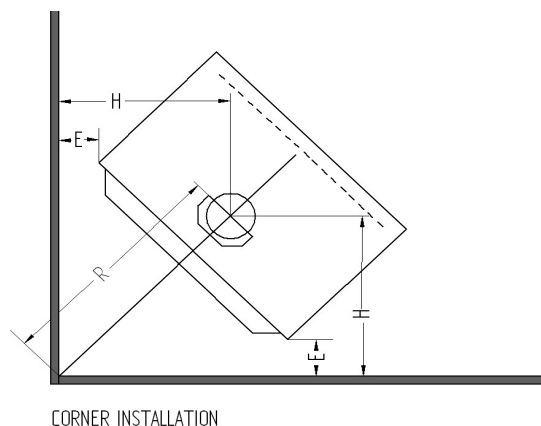
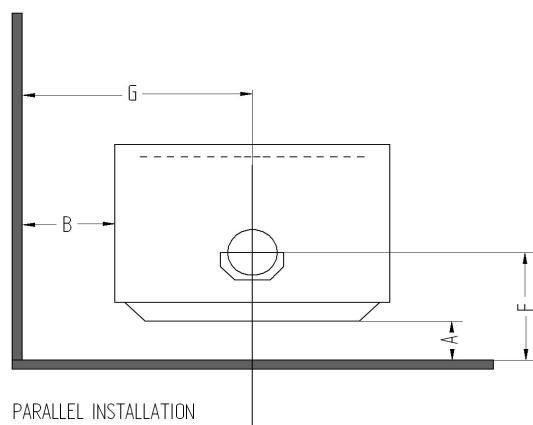
These instructions must be used in conjunction with the 'General Installation Instructions' for MASPORT wood fires.

CLEARANCE REQUIREMENTS

This fire has been tested to the Australian/New Zealand Standard AS/NZS 2918:2001 and all installations must be in accordance with the minimum clearances to combustibles indicated in these instructions.

The minimum clearances to combustibles may be reduced if the combustible walls are shielded with an approved non-combustible material. Details of suitable materials and appropriate clearance reduction factors are present in Section 3 of AS/NZS 2918:2001.

POSITIONING YOUR FREE-STANDING WOODFIRE



NEW ZEALAND

MINIMUM DISTANCES TO HEAT SENSITIVE WALLS (mm)

MODEL	FLUE HEAT SHIELD	A	B	E	F	G	H	R§
HESTIA 2 CLEAN AIR	LOGAIRE DOUBLE SKIN S/S POLISHED	50	340	25	213	660	366	518
	WITHOUT FLUE SHIELD	270	340	150	433	660	491	695

AUSTRALIA

MINIMUM DISTANCES TO HEAT SENSITIVE WALLS (mm)

MODEL	FLUE HEAT SHIELD	A	B	E	F	G	H	R§
HESTIA CLEAN AIR HW	FLOWMET UNIVERSL FLUE SYSTEM	260	240	100	423	560	441	624
	AHD SPECIAL INSULATED FLUE KIT	150	280	100	313	600	441	624

§ Valid only when the room walls are at 90° to each other.

‡ Note: Clearances are for fire hazard only. For durability of finishes or surfaces you should contact the relevant manufacturer for their specification. Glen Dimplex Australasia Ltd accepts no responsibility for the deterioration of surfaces or finishes.

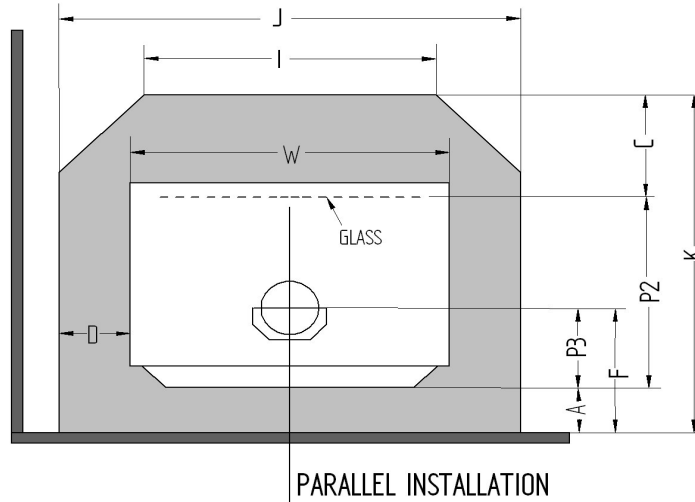
See " INSTALLING THE FLUE " for recommended Australian flue systems.

PRT. NO. HCAM0738

DATE: 07.09.2010

FLOOR PROTECTOR (Hearth) REQUIREMENTS PARALLEL INSTALLATION

MINIMUM FLOOR PROTECTOR DIMENSIONS IN mm



DIMENSIONS IN THE TABLE ARE VALID ONLY WHEN THE FIRE IS EXACTLEY AT ITS MINIMUM ALLOWABLE WALL CLEARANCE.

NEW ZEALAND

MODEL	Flue Shield	Floor Protector height	A#	C#	D	F	I	J	K#	P2	P3	W	Floor Protector Type Ø
HESTIA 2 CLEAN AIR	*		50	300	130	213	600	900	820	470	163	640	ASH
	**		270	340	130	433	600	900	1040	470	163	640	ASH

* Logaire double skin S/S polished 1200 mm shield

** Without flue shield

AUSTRALIA - ALL WITH FLUE HEATSHIELD

MODEL	Flue Shield	Floor Protector height	A#	C#	D	F	I	J	K#	P2	P3	W	Floor Protector Type Ø
HESTIA CLEAN AIR HW	*		260	300	130	423	600	900	1030	470	163	640	ASH
	**		150	300	130	313	600	900	920	470	163	640	ASH

* FLOMET UNIVERSAL FLUE SYSTEM

** AHD SPECIAL INSULATED FLUE KIT

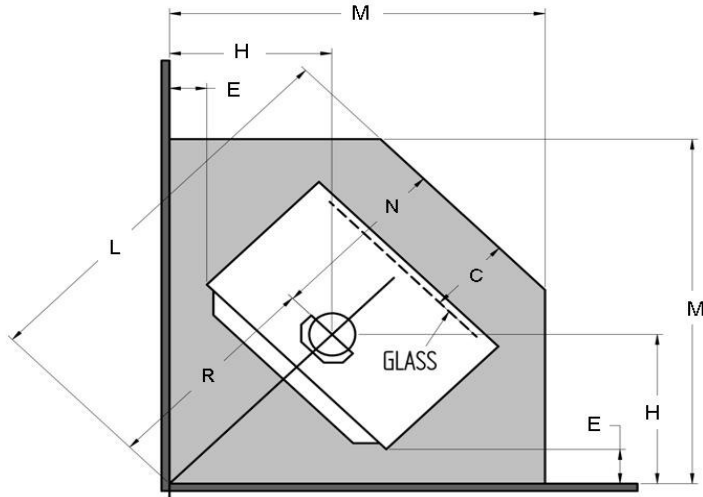
Ø for minimum constructional requirements see general installation instructions.

Valid only when the fire is exactly at its minimum allowable wall clearance.

NOTE: Where a fan is being fitted, you may prefer to increase the 'A' dimension to 100 mm to provide easier access for servicing. If so, the amount you add to 'A' to bring it to 100 mm must also be added to the 'C' and 'S' dimensions.

FLOOR PROTECTORS (Hearth) REQUIREMENTS CORNER INSTALLATION

MINIMUM FLOOR PROTECTOR DIMENSIONS IN mm



DIMENSIONS IN THE TABLE ARE VALID ONLY WHEN THE FIRE IS EXACTLEY AT ITS MINIMUM ALLOWABLE WALL CLEARANCE.

NEW ZEALAND

MODEL	Flue Shield	Floor Protector Height	C	E	H#	L#	M#	N	R#	FLOOR PROTECTOR TYPE
HESTIA 2 CLEAN AIR	*		300	25	366	1125	1008	607	518	ASH
	**		300	150	491	1302	1133	607	695	ASH

* Logaire double skin S/S polished 1200 mm shield

** Without flue shield

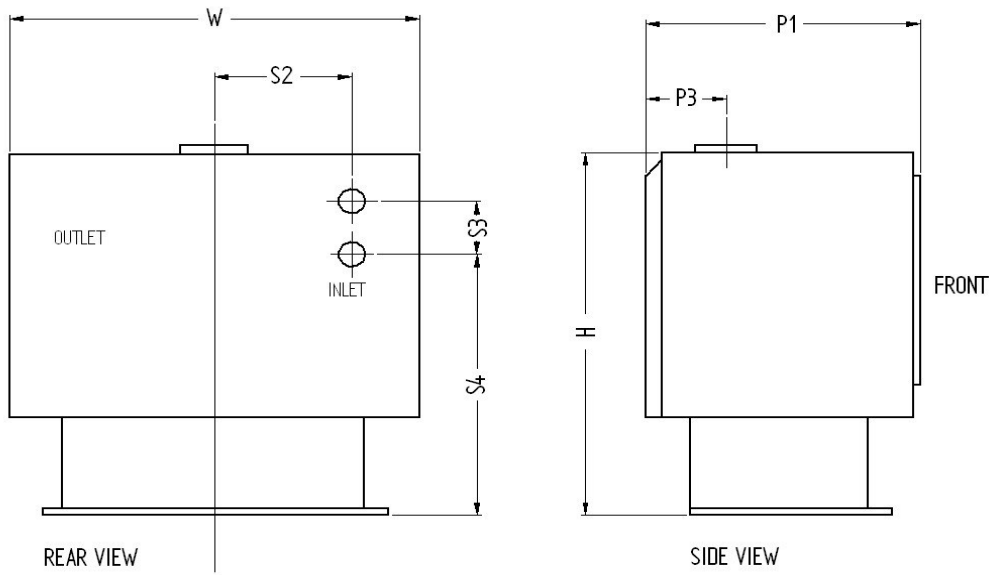
AUSTRALIA

MODEL	Flue Shield	Floor Protector Height	C	E	H#	L#	M#	N	R#	FLOOR PROTECTOR TYPE
HESTIA CLEAN AIR HW	*		300	100	441	1231	1083	607	624	ASH
	**		300	100	441	1231	1083	607	624	ASH

* FLOMET UNIVERSAL FLUE SYSTEM

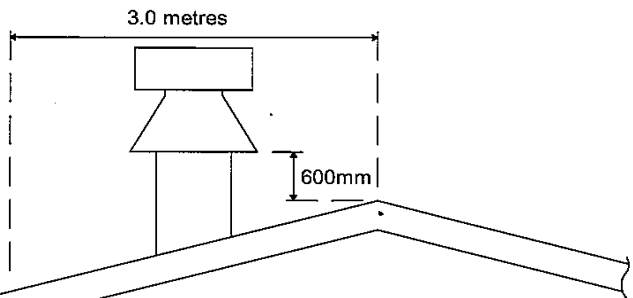
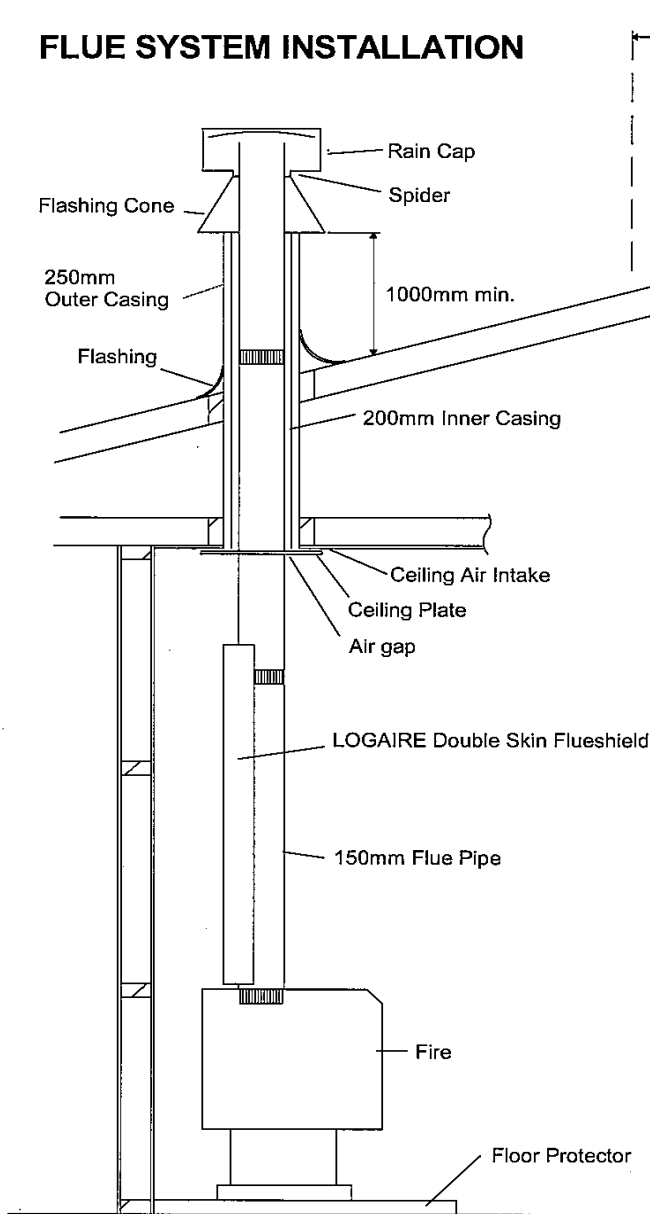
** AHD SPECIAL INSULATED FLUE KIT

FREE STANDING FIRE DIMENSIONS



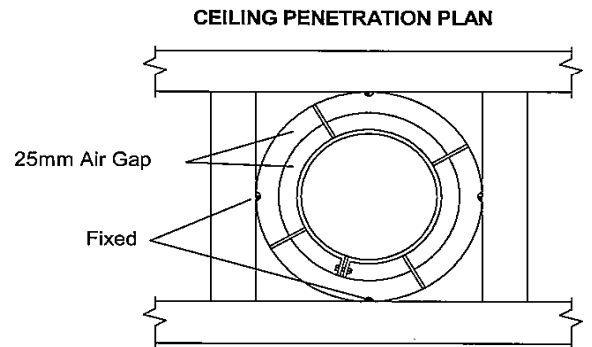
MODEL	P1	P3	H	W	S1	S2	S3	S4
HESTIA 2 CLEAN AIR	523	163	706	640	-	200	120	343
HESTIA CLEAN AIR HW								

FLUE SYSTEM INSTALLATION



Installation shown complies with AS/NZS 2918:2001. If a flue exits out of the roof within 3 metres from the ridge, the outer shield height shall be not less than 600mm above the ridge. If the flue exits further than 3 metres out from the roof ridge then it must project at least 1000mm above roof penetration. This dimension may need increasing to ensure that the top of the flue is at least 3 metres away from the roof or other obstructions when measured horizontally.

The flue pipe shall extend not less than 4.6m above the top of the floor protector. Due to factors such as roof pitch, predominant winds, nearby obstructions (ie. trees, buildings), and fire placement, flue lengths and hats/cowls may vary.

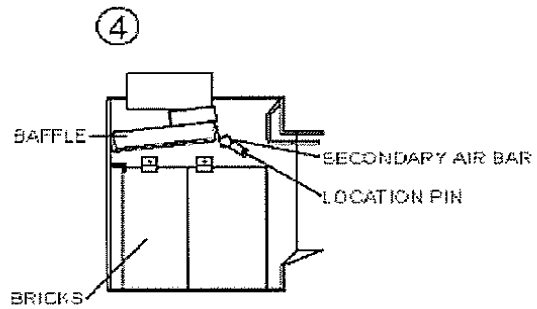
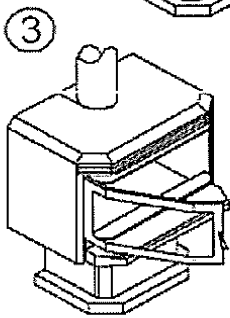
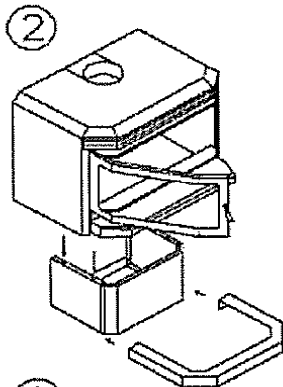
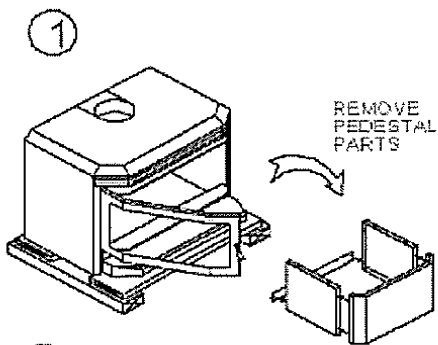


FLUE SYSTEM INSTALLATION 150mm

THIS DIAGRAM IS VALID FOR NZ INSTALLATIONS

FOR INSTALLATIONS IN AU PLEASE REFER TO SPECIFIC FLUE INSTALLATION INSTRUCTIONS

ASSEMBLY OF HESTIA 2 CLEAN AIR HESTIA CLEAN AIR HW



Remove the contents from the fire and assemble the pedestal parts using the nuts and bolts supplied.

(Note: the 4 longer bolts are for stage 2). Lower the fire onto the now assembled pedestal unit and bolt to the fire.

Place assemble fire in position and seismic restraint to the floor.

Next, if not already fitted in place, fit the baffle plate into place. The baffle plate is to be situated in the upper half of the fire and sits onto the brackets fitted inside the firebox.