

Owners &  
Installation

# Manual



## MONTROSE WOOD FIREPLACE

Model: L850B



**PLEASE KEEP THESE INSTRUCTIONS FOR  
FUTURE REFERENCE**

**WARNING:**

Improper installation, adjustment, alteration, service or maintenance can cause injury or property damage. Refer to this manual. For assistance or additional information consult an authorised installer, service agency or the distributor.

It is highly recommended for protection of infants and infirm to place a secure safety guard in front of this appliance when in operation.

---

Thank-you for purchasing a  
**REGENCY FIREPLACE PRODUCT**

The pride of workmanship that goes into each of our products will give you years of trouble-free enjoyment. Should you have any questions about your product that are not covered in this manual, please contact the **REGENCY DEALER** in your area.

Keep those **REGENCY FIRES** burning.

**SAFETY NOTE:** If this wood fire is not properly installed, a house fire may result. For your safety, follow the installation instructions, contact local building, fire officials, or authority having jurisdiction about restrictions and installation inspection requirements in your area.

The authority having jurisdiction should be consulted before installation to determine the need to obtain a permit.



**CAUTION: BURN UNTREATED WOOD ONLY. OTHER MATERIALS SUCH AS WOOD PRESERVATIVES, METAL FOILS, COAL, PLASTIC, GARBAGE, SULPHUR OR OIL WILL DAMAGE THE FIRE AND ATMOSPHERE.**

"This wood heater is designed to burn natural wood only. Higher efficiencies and lower emissions generally result when burning air dried seasoned hardwoods, as compared to green or freshly cut hardwoods."

**DO NOT BURN (WILL VOID WARRANTY)**

- Treated wood
- Tea Tree
- Oil based woods
- Coal
- Garbage
- Cardboard
- Solvents
- Colored Paper
- Trash

**SAVE THESE INSTRUCTIONS**

Data Badge.....4  
 Unit Dimensions .....5  
 Standard Features and Optional Accessories .....6

**INSTALLATION**

Before Installing Your Fireplace.....7  
 Safety Guidelines and Warnings .....8  
 Wood Fireplace Specifications .....9  
 Wood Fireplace Specifics-Minimum Clearances .....10  
 Optional Base Frame.....11  
 Flue and Chimney Requirements .....12  
 Installation Instructions .....16  
 Optional Fan Kit Installation  
     Listing and Code Approvals.....20  
     General Information.....20  
     Minimum Framing Clearances .....20  
     Fan Kit Installation.....21  
     Fan Duct Extension Kit.....22  
     Wiring Diagram.....22  
 Optional Outside Air Kit Installation .....23  
 Brick Installation .....24

**APPLIANCE MAINTENANCE**

Creosote.....25  
 Ash Removal .....25  
 Glass Installation .....25  
 Glass Maintenance.....25  
 Door Latch Adjustment .....25  
 Trouble Shooting .....26

**OPERATING INSTRUCTIONS**

Additional Warnings .....27  
 Air Slide Control .....27  
 Fuel Requirements .....27  
 Lighting the Appliance .....28

**PARTS LIST**

Main Assembly .....29

**WARRANTY**

Installation of Appliance Checklist.....33  
 Warranty .....34

This is a copy of the data badge that accompanies each L850B Fireplace. We have included a copy of the contents here for your review.

**NOTE:** Regency units are constantly being improved. Check the data badge on the unit and if there is a difference, the data badge on the unit is the correct one.

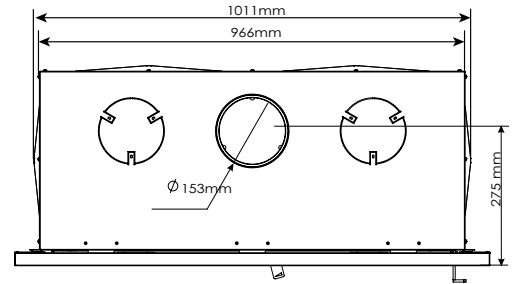
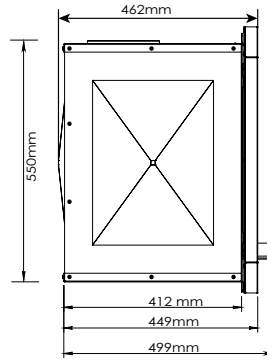
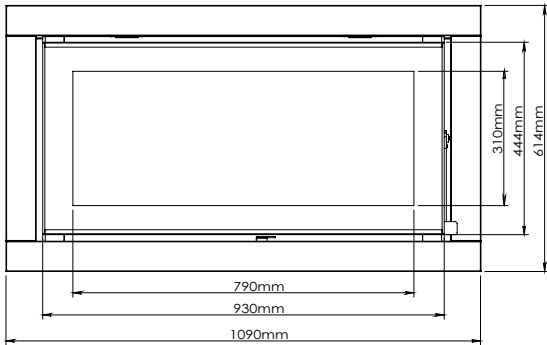
**COPY OF DATA BADGE**

<b>Regency Fireplace Inbuilt</b>	
<b>Model: L850B MONTROSE</b>	
TESTED TO AS/NZS 4013:1999	
TEST REPORT NUMBER: HCMG/14/023A	
MAXIMUM AVERAGE HEAT OUTPUT BURNING HARDWOOD: 11kW	
OVERALL AVERAGE EFFICIENCY BURNING HARDWOOD: 62%	
WHEN TESTED IN ACCORDANCE WITH AS/NZS 4012 TESTED BY: HRL TECHNOLOGY PTY LTD. TRAMWAY RD. MORWELL VICTORIA 3840 (2014)	
Fireplace Products Australia Pty. Ltd. 1 Conquest Way Hallam, VIC 3803	
Date of Manufacture:	
JAN FEB MAR APR MAY JUN JUL AUG SEP OCT NOV DEC	2014 2015 2016
<input type="checkbox"/> <input type="checkbox"/> <input type="checkbox"/> <input type="checkbox"/> <input type="checkbox"/> <input type="checkbox"/> <input type="checkbox"/> <input type="checkbox"/> <input type="checkbox"/> <input type="checkbox"/> <input type="checkbox"/> <input type="checkbox"/>	<input type="checkbox"/> <input type="checkbox"/> <input type="checkbox"/>
Serial Number 433	
919-371	

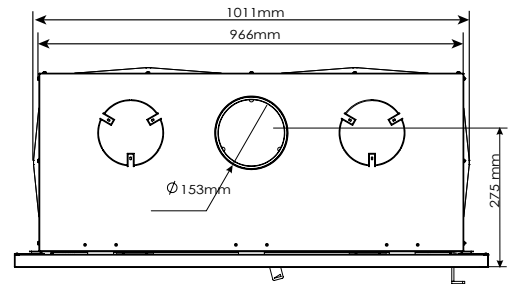
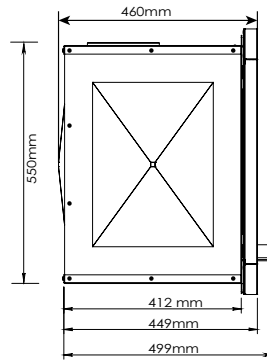
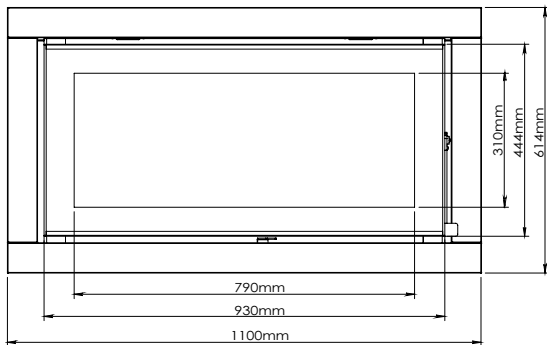
Please make note of the unit serial number and enter in the space provided

## UNIT DIMENSIONS

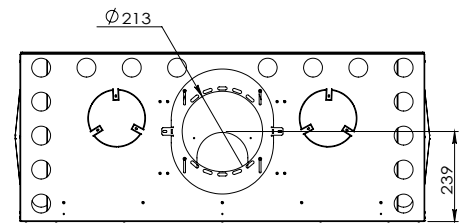
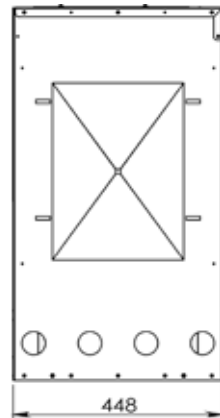
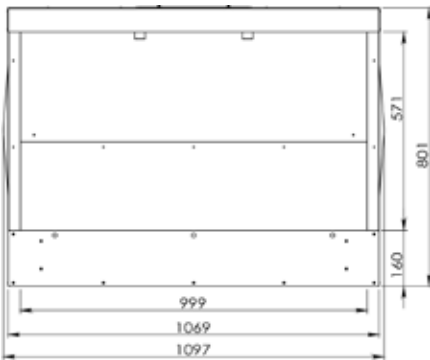
### 1. Standard Clean Front Dimensions



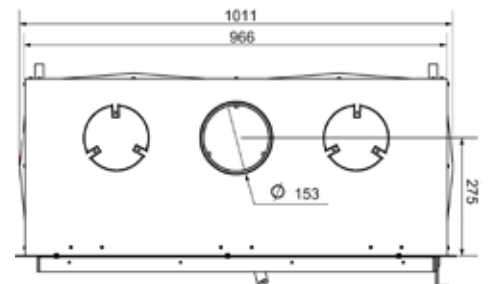
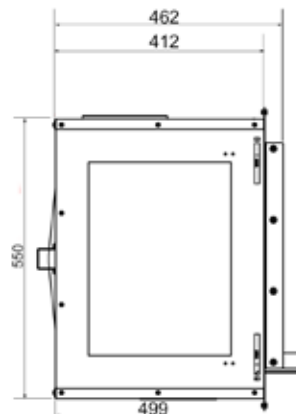
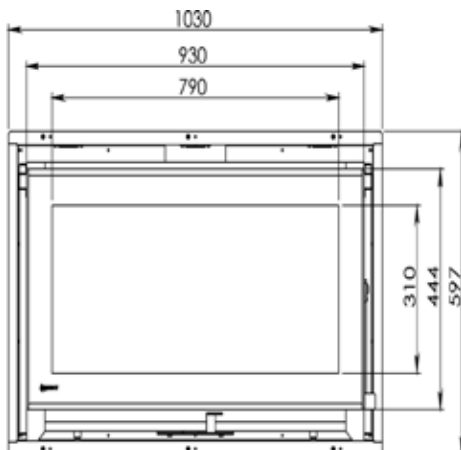
### 2. Optional Faceplate Dimensions



### 3. Zero Clearance Box Dimensions



### 4. Standard Firebox Dimension





Designed for modern living, the Regency Montrose will add ambience and enjoyment to any room. The large viewing glass with black etched edge provides an exceptional view of the fire whilst complimenting the décor of any home.

The Montrose is designed to fit into a custom built wall without a brick fireplace or chimney ensuring it can be featured in any room. As a slow combustion heater the unit can be controlled to maximize heat output as well as wood usage. Designed to not only meet, but exceed the very latest Australian requirements for emissions and efficiency this is the latest in heating technology.

**Standard Features**

- Large glass viewing area (790mm x 310mm)
- 5mm steel firebox – lined with high quality firebrick
- Zero clearance
- Low emissions 1.2g/kg
- Single draft control with airwash
- Removable door handle tool
- Stainless steel andiron

**Optional Features**

- Black 4 sided fascia
- Base frame kit – raises unit 300mm on sturdy steel frame
- Fan forced duct kit (4.5m) up to 2 can be fitted
- Extra ducting (4.5m) kit
- Outside air kit

Regency Fireplaces are constructed with the highest quality materials and assembled under strict quality control procedures that insure years of trouble free and reliable performance.

It is important that you read this manual thoroughly and fully understand the safe installation and operating procedures. The more you understand the way your Regency Fireplace operates, the more enjoyment you will experience from knowing that your unit is operating at peak performance.

## **BEFORE INSTALLING YOUR FIREPLACE**

- 1) Please read this entire manual before you install and use your new wood fireplace. Failure to follow instructions may result in property damage, bodily injury or even death. Install and use only in accordance with manufacturer's installation and operating instructions.
- 2) Check your local building codes - Building Inspection Department. You may require a permit before installing your fireplace. Be aware that local codes and regulations may override some items in the manual.
- 3) Notify your home insurance company that you plan to install a fireplace insert or freestanding heater.
- 4) **THE FIREPLACE CAN GET VERY HOT. DO NOT INSTALL, PLACE OR POSITION TV'S, PAINTINGS, PICTURES, CANDLES, FURNITURE, DRAPES OR ANY OTHER COMBUSTIBLE ITEMS ON THE WALL OR NEAR THE FIREPLACE.**
- 5) **ENSURE THERE ARE NO EXHAUST FANS WITHIN THE VICINITY OF THE FIREPLACE AS THIS CAN CAUSE THE FIREPLACE TO EMIT FUMES BACK INTO THE ROOM.**
- 6) **ENSURE THERE IS ADEQUATE AIR SUPPLY WITHIN THE ROOM/AREA THE FIREPLACE IS BEING INSTALLED IN TO ENSURE PROPER OPERATION OF THE FIREPLACE. INSTALL OPTIONAL OUTSIDE AIR KIT IF IN DOUBT.**
- 7) **EVALUATE THE LOCATION OF YOUR FIREPLACE AND OPTIONAL COMPONENTS. IT IS VERY IMPORTANT TO DETERMINE HOW THE FIREPLACE IS GOING TO BE FINISHED. THE FEATURES YOU WOULD LIKE TO INCORPORATE SUCH AS FACEPLATE, OUTSIDE AIR AND FAN KIT NEED TO BE EVALUATED.**
- 8) **DETERMINE WHAT THE THICKNESS OF YOUR DESIRED NON-COMBUSTIBLE FINISHING MATERIALS WILL BE INCLUDING THE NON-COMBUSTIBLE BOARD. THIS PRE-DETERMINED THICKNESS WILL DICTATE THE POSITION OF THE NAILING FLANGES, FRAMING AND OVERALL FINAL LOOK OF YOUR FIREPLACE.**
- 9) Your fireplace is heavy and requires two or more people to move it safely. The fireplace can be badly damaged by mishandling and or injury can occur.
- 10) Do not connect the fireplace to a chimney system servicing another appliance or an air distribution duct.

**WARNING: CARELESS INSTALLATION IS THE MAJOR CAUSE OF SAFETY HAZARD. CHECK ALL LOCAL BUILDING AND SAFETY CODES BEFORE INSTALLATION OF UNIT.**

THE APPLIANCE, WHEN INSTALLED, MUST BE ELECTRICALLY GROUNDED IN ACCORDANCE WITH LOCAL CODES.

## SAFETY GUIDELINES AND WARNINGS/CAUTIONS

- 1) Never use petrol, petrol type lantern fuels, kerosene, charcoal lighter fuel, or similar liquids to start or 'freshen up' a fire in your heater. Keep all such liquids well away from the heater while it is in use.
- 2) Keep the door closed during operation and maintain all seals in good condition.
- 3) Do not burn any quantities of paper, garbage, and never burn flammable fluids such as petrol, naphtha or engine oil in your stove.
- 4) If you have smoke detectors, prevent smoke spillage as this may set off a false alarm.
- 5) Do not overfire heater. If the chimney connector, flue baffle or the stove top begin to glow, you are overfiring. Stop adding fuel and close the draft control. Overfiring can cause extensive damage to your stove including warpage and premature steel corrosion. Overfiring will void your warranty.
- 6) Do not permit creosote or soot build-up in the chimney system. Check and clean chimney at regular intervals. Failure to do so can result in a serious chimney fire.
- 7) Your Regency stove can be very hot. You may be seriously burned if you touch the stove while it is operating, keep children, clothing and furniture away. Warn children of the burn hazard. For safety reasons a guard around the fire is recommended.
- 8) The stove consumes air while operating, provide adequate ventilation with an air duct or open a window while the stove is in use or use optional outside air kit.
- 9) Do not use grates or andirons or other methods for supporting fuel. Burn directly on the base or bricks where supplied.
- 10) Open the draft control fully for 10 to 15 seconds prior to **slowly** opening the door when refuelling the fire.
- 11) Do not connect your unit to any air distribution duct.
- 12) Your wood fire should burn dry, standard firewood only. The use of cut timber, plywood, "mill ends", etc. is not allowed as this fuel can easily overheat your wood fire. Evidence of excessive overheating will void your warranty. As well, a large portion of sawmill waste is chemically treated timber, which is illegal to burn in many areas. Salt drift wood and chemically treated fire logs also must not be burned in your wood fire.

### 13) DO NOT OPERATE WITH BROKEN GLASS.

**WARNING: THE APPLIANCE AND FLUE-SYSTEM SHALL BE INSTALLED IN ACCORDANCE WITH AS/NZS 2918 AND THE APPROPRIATE REQUIREMENTS OF THE RELEVANT BUILDING CODE OR CODES.**

**WARNING: APPLIANCES INSTALLED IN ACCORDANCE WITH THIS STANDARD SHALL COMPLY WITH THE REQUIREMENTS OF AS/NZS 4013 WHERE REQUIRED BY THE REGULATORY AUTHORITY. I.E. THE APPLIANCE SHALL BE IDENTIFIABLE BY A COMPLIANCE PLATE WITH THE MARKING 'TESTED TO AS/NZS 4013'.**

**ANY MODIFICATION OF THE APPLIANCE THAT HAS NOT BEEN APPROVED IN WRITING BY THE TESTING AUTHORITY IS CONSIDERED TO BE IN BREACH OF THE APPROVAL GRANTED FOR COMPLIANCE WITH AS/NZS 4013.**

CAUTION: MIXING OF APPLIANCE OR FLUE-SYSTEM COMPONENTS FROM DIFFERENT SOURCES OR MODIFYING THE DIMENSIONAL SPECIFICATION OF COMPONENTS MAY RESULT IN HAZARDOUS CONDITIONS. WHERE SUCH ACTION IS CONSIDERED, THE MANUFACTURER SHOULD BE CONSULTED IN THE FIRST INSTANCE.

CAUTION: CRACKED AND BROKEN COMPONENTS, e.g. GLASS PANELS OR CERAMIC TILES MAY RENDER THE INSTALLATION UNSAFE.

**WARNING: ANY MODIFICATION OF THE APPLIANCE THAT HAS NOT BEEN APPROVED IN WRITING BY THE TESTING AUTHORITY IS CONSIDERED AS BREACHING AS/NZS 4013.**

**WARNING: DO NOT USE FLAMMABLE LIQUIDS OR AEROSOLS TO START OR REKINDLE THE FIRE.**

**WARNING DO NOT USE FLAMMABLE LIQUIDS OR AEROSOLS IN THE VICINITY OF THIS APPLIANCE WHEN IT IS OPERATING.**

**WARNING: DO NOT STORE FUEL WITHIN HEATER INSTALLATION CLEARANCES.**

**WARNING: DO NOT USE AS AN OPEN FIRE OR OPERATE WITH THE DOOR OPEN.**

**WARNING: OPEN AIR CONTROL (AND DAMPER WHEN FITTED) BEFORE OPENING FIRE DOOR.**

CAUTION: THIS APPLIANCE SHOULD NOT BE OPERATED WITH A CRACKED GLASS.

CAUTION: THIS APPLIANCE SHOULD BE MAINTAINED AND OPERATED AT ALL TIMES IN ACCORDANCE WITH THESE INSTRUCTIONS

CAUTION: THE USE OF SOME TYPES PRESERVATIVE-TREATED WOOD AS A FUEL CAN BE HAZARDOUS



## UNIT DIMENSIONS

### Dimensions

The outside dimensions of the Montrose L850 including the Zero Clearance Box is as follows:

- Width 1097mm
- Depth = 448mm
- Height = 801mm

Height of optional Base Framing Kit = 300mm

**Note:** Base is non-combustible and needs assembly

### Cavity Requirements

Cavity Depth = 698mm - 720mm

**Note:** Cavity depth is determined by the position of nailing strips and thickness of non-combustible wall finish. Rear clearance must be 250mm

Cavity Width = 1597mm

Height of zero clearance box off the ground should be a minimum of 300mm and supported by a non-combustible stand able to support 265kg.

- **No Ceiling within the cavity.**

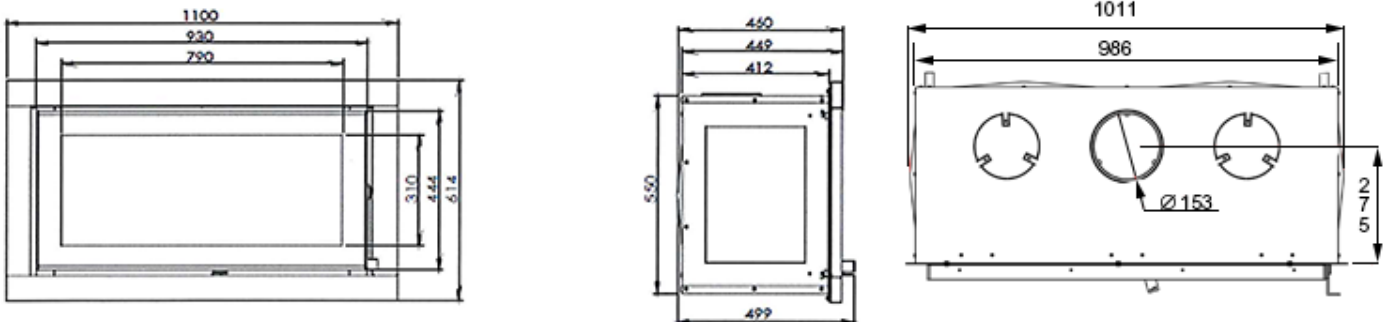
### Flue

- Minimum 4.5 Meters of triple skin flue required with approved cowling

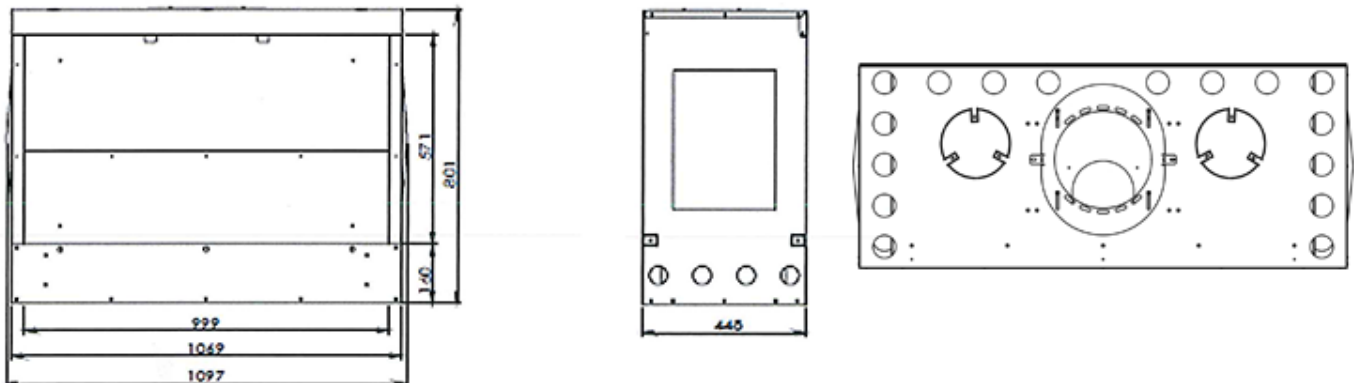
### Optional Ducting

- 2 x Optional fan forced ducting vents are available, using 150mm ducting to a max run of 9 Meters

### Optional Face Plate dimensions



### Zero clearance box dimensions



## WOOD FIREPLACE SPECIFICS AND MINIMUM CLEARANCES

**Framing Guide**

Unit cavity to be open into the roof cavity

**Wall Cladding**

Non-Combustible material such as 9mm cement sheeting must be used on front wall of zero enclosure

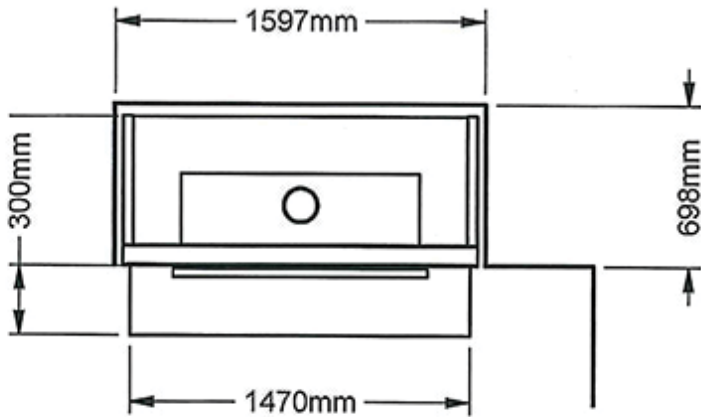
**Hearth Requirements**

Hearth needs to be 6mm thick, 1470mm wide and 995mm deep to allow for 300mm leading edge. We do recommend that your non-combustible hearth extends 900mm in front of the unit. This allows the floor to be protected when the door is fully open in case of ember drop.

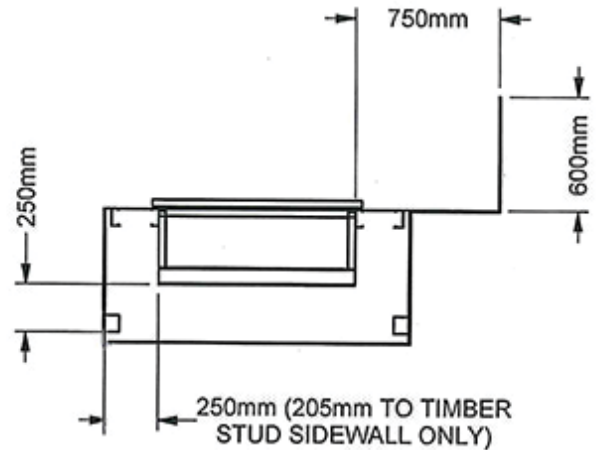
**Floor Protection**

The floor protector must be minimum of 300mm deep in front of the appliance base. However it is highly recommended due to the width of the appliance door that this dimension is increased of ember or hot ash spillage

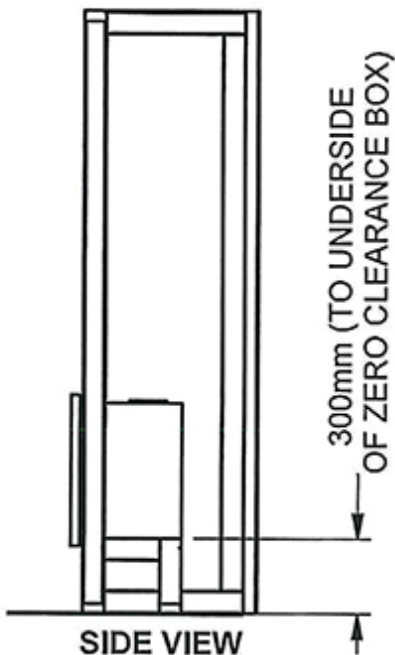
The appliance must be installed on a non-combustible stand 300mm above the hearth.



**CAVITY SIZE AND HEARTH PAD**

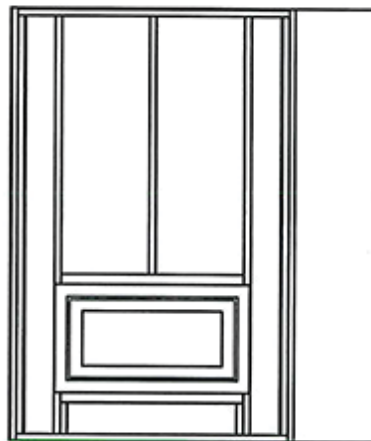


**CLEARANCE TO COMBUSTIBLE**

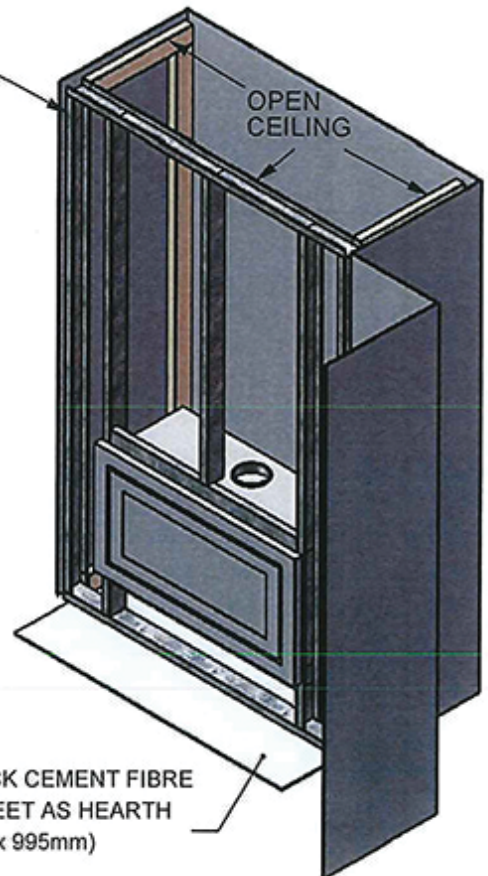


**SIDE VIEW**

NON COMBUSTIBLE FACING MATERIAL & NON COMBUSTIBLE FRAME MUST BE USED ON FRONT WALL OF ZERO CLEARANCE ENCLOSURE

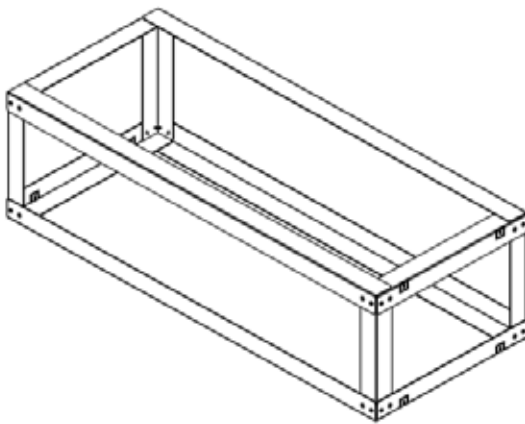
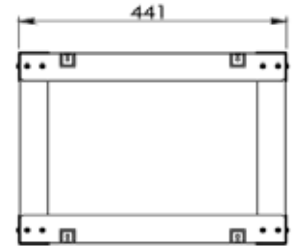
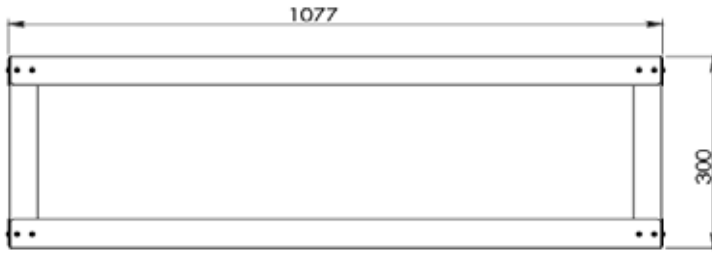


**FRONT VIEW**



6mm THICK CEMENT FIBRE SHEET AS HEARTH (1470mm x 995mm)

**OPTIONAL BASE FRAME - REVISION B (HEIGHT CHANGED TO 300MM)**



**CONSTRUCTING YOUR OWN BASE FRAME**

**WHEN BUILDING YOUR OWN BASE FRAME OR PEDESTAL BASE PLEASE ENSURE THE FOLLOWING CONDITIONS ARE MET.**

1. MINIMUM HEIGHT OF THE BASE FRAME IS 300MM FROM THE FINISHED FLOOR TO THE UNDERSIDE OF THE ZERO SHELL. IF BASE FRAME DOES NOT SIT ON THE SAME LEVEL OF THE FINISHED FLOOR, THEN THE FRAME NEEDS TO BE MADE TALLER TO ENSURE THE 300MM CLEARANCE IS MET. (SEE PAGE 10).
2. ENSURE THE CENTER OF THE BASE IS HOLLOW TO ALLOW THE HOOK-UP OF THE OPTIONAL OUTSIDE AIR KIT.
3. ENSURE THE BASE IS CONSTRUCTED OF NON-COMBUSTIBLE MATERIALS
4. ENSURE THE BASE CAN WITHSTAND THE WEIGHT OF AT LEAST 265KG PLUS.
5. ENSURE THE FLOOR BENEATH THE BASE CAN WITHSTAND AT LEAST 265KG PLUS.

# installation

## FLUE AND CHIMNEY REQUIREMENTS

PLEASE READ AND REFER TO INSTALLATION INSTRUCTIONS UNIT PREPARATION ON PAGE 16

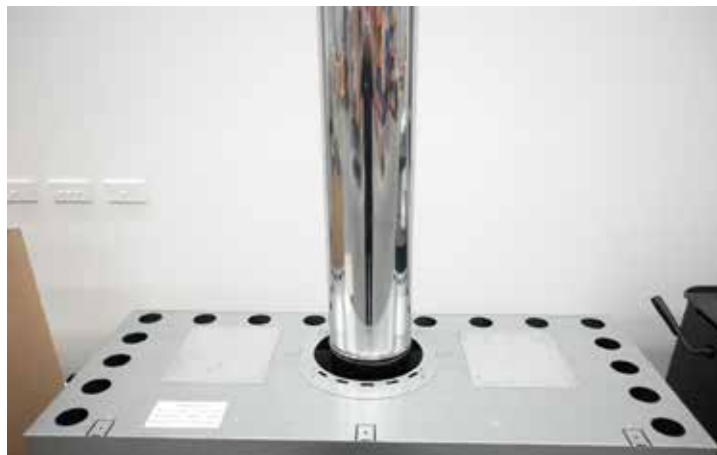
Top of Unit prior to installation of the flue. The packaging material has been removed



1. 6" starter flue fitted. Note the crimped end is down (into unit)



2. 6" Flue fitted. Note: crimped end is down. Must connect active pipe using stainless steel rivets or self drilling screws. 2 for each join..



3. 8" inner galvanized skin fitted. The flue sits down in the box. Note: Crimped end is up.

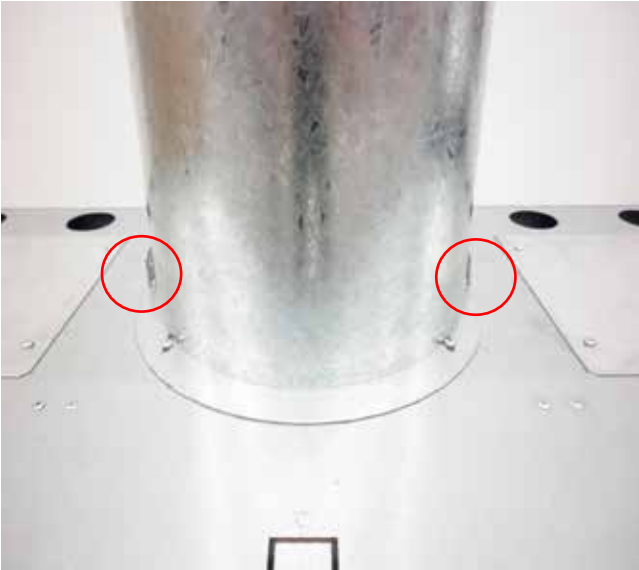


4. 10" galvanized flue skin fitted. The 10" skin sits on top of the box over ventilation holes in plate. Note: Crimped end is up.



5. Bend up the 2 tabs on each side of the 10" flue and secure via self drilling screws

10" galvanized flue skin over ventilation plate.  
Note tab on either side-bent up to secure flue via self drilling screws



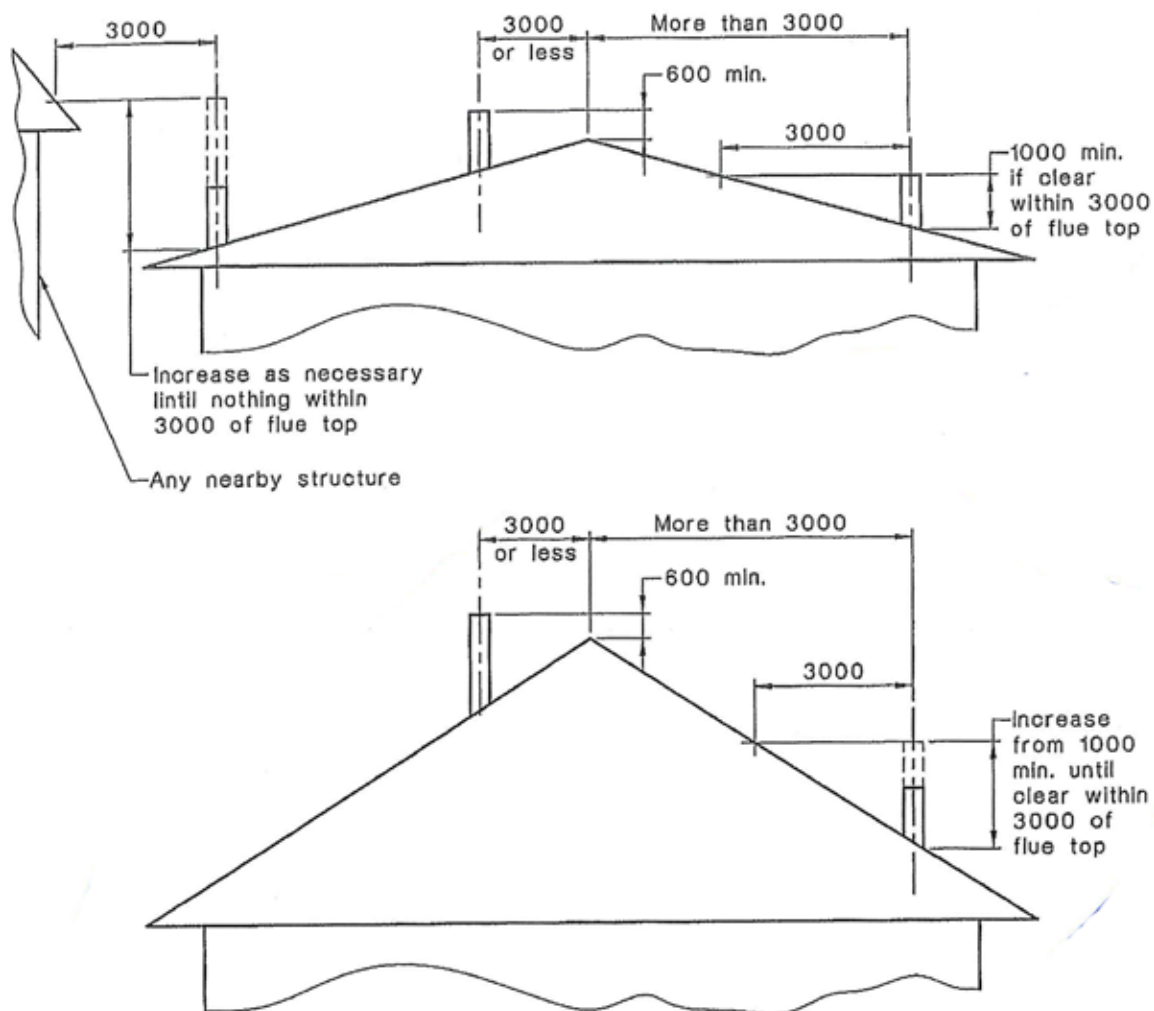
6. Before the next steps ensure all clearances/installation codes have been met. Test the fan for proper operation.

7. Note ventilation at top of outer flue where it meets the cowl. It must be vented to allow heat to escape.  
Note that 8" skin will be shorter than 10" skin at top. This is fine as it allows the 8" skin to vent into the outer skin and cowl.



**At this stage of the installation the unit is installed with the flue system and any optional kits. The next step is to install and set the nailing flanges in the correct position to accommodate the front wall framing and finishing for BOTH THE FACEPLATE AND CLEAN EDGE FRAME.**

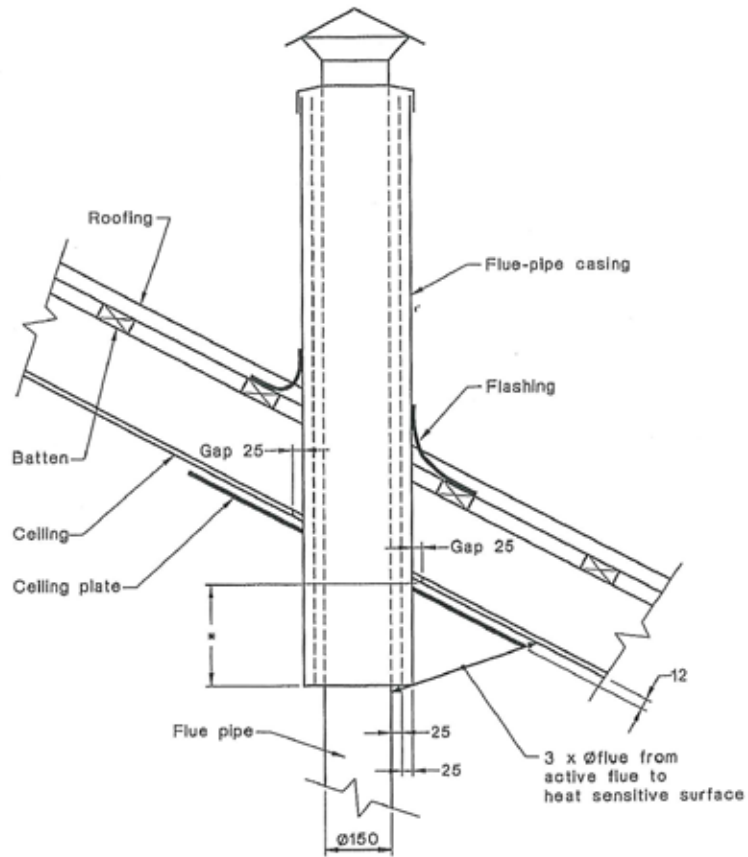
## FLUE AND CHIMNEY REQUIREMENTS



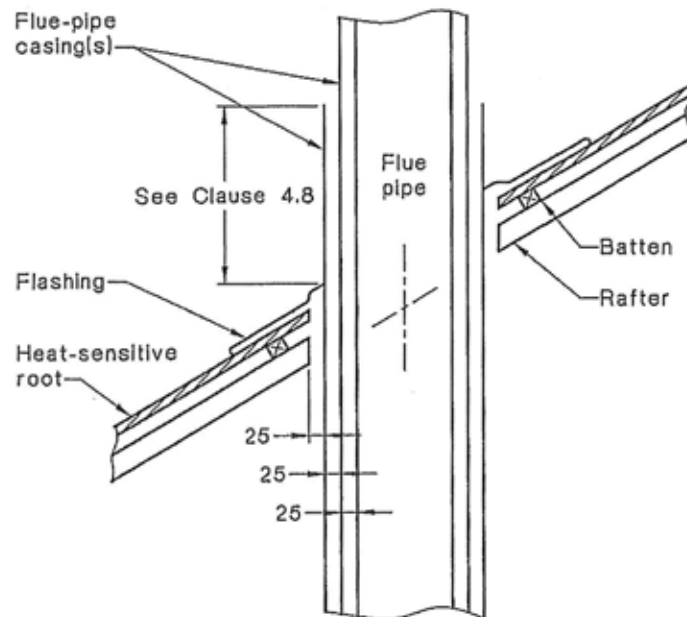
THE FLUE PIPE SHALL EXTEND NOT LESS THAN 4.6 M ABOVE THE TOP OF THE FLOOR PROTECTOR.

NOTE: INSTALLATION MUST BE CARRIED OUT BY A LICENSED INSTALLER IN ACCORDANCE WITH AS/NZS 2918:2001

## FLUE AND CHIMNEY REQUIREMENTS



Typical Example of a Sloped Ceiling Penetration



Example of Roof Penetration

## INSTALLATION INSTRUCTIONS UNIT PREPARATION/FRAMING/CLEAN EDGE AND FACEPLATE WALL FINISHING

**BEFORE INSTALLING ENSURE THE FOLLOWING:**

**READ THE ENTIRE MANUAL**

**EVALUATE THE LOCATION OF YOUR FIREPLACE AND LOCATION OF OPTIONAL COMPONENTS SUCH AS FAN, OUTSIDE AIR AND FACEPLATE.**

**DETERMINE WHAT THE THICKNESS OF YOUR DESIRED NON-COMBUSTIBLE FINISHING MATERIALS INCLUDING THE REQUIRED NON-COMBUSTIBLE BOARD. THIS PREDETERMINED THICKNESS WILL DICTATE THE CAVITY DEPTH, POSITION OF THE NAILING FLANGES, FRAMING AND OVERALL FINAL LOOK OF YOUR FIREPLACE.**

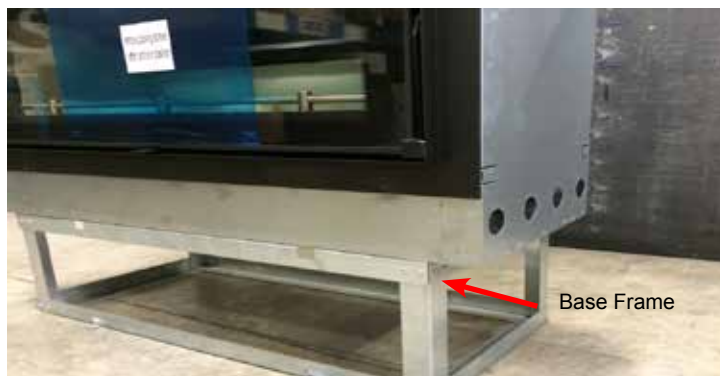
The unit comes standard with nailing flanges and clean edge frame installed.

**Clean edge frame: MAXIMUM THICKNESS OF FINISHING MATERIAL: 32MM**

**Optional Faceplate: MAXIMUM THICKNESS OF FINISHING MATERIAL: 32MM**

1. Determine the location of the fireplace, flueing location and locations of the options such as the Fan Kit and outside air. Determine if the fireplace will be using the clean edge frame or faceplate.

2. Construct your base frame. Please see BASE FRAME instructions on page 11. The base frame is required TO RAISE THE UNIT in order to meet the 300mm clearance to the finished floor.



3 Position your base frame in the predetermined location of fireplace. Level then mark the position of the base frame. Remove the frame and set aside.

4. Frame out back wall if required and side walls only of the fireplace cavity. DO NOT FRAME FRONT WALL. The back and side walls of the cavity can be constructed using timber. Please refer to page 9 and 10 for clearances and cavity depth.

5. Reinstall the base frame and secure to the floor.

6. If using optional outside air kit please refer to page 23. The optional air kit adapter must be installed must be installed prior to the unit being positioned on to the base frame

7. Install the fireplace on the base frame. Secure unit to the base frame

8. Remove the two screws on the back of the unit labelled "packing screws".



9. Pull the firebox forward out of the Zero Shell enough to access the backside of the Clean Edge. When using the Faceplate Option the Clean Edge frame needs to be removed and discarded.

**FIREBOX PULLED FORWARD FROM ZERO SHELL**





## INSTALLATION INSTRUCTIONS

### UNIT PREPARATION/FRAMING/CLEAN EDGE AND FACEPLATE WALL FINISHING

10. Remove the six nuts and bolts and bolts that are used to secure the Clean Edge Frame to the unit. Discard the Clean Edge Frame and hardware.



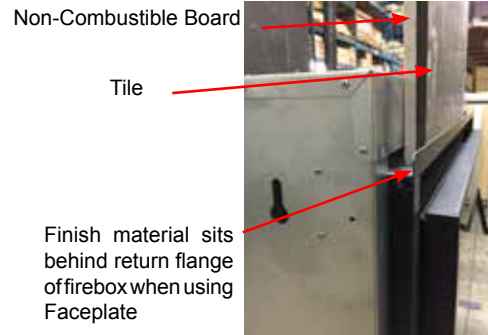
Unit without Clean Edge Frame and pulled forward from Zero Shell



11. DETERMINE THE THICKNESS OF THE FINISHING MATERIAL. Maximum of 32mm on both the Clean Edge Frame and Faceplate.



12. When using the Faceplate Option, the firebox needs to be pulled forward out of the Zero Shell to the predetermined thickness of the finish material. Position the firebox forward out of the Zero Shell to the predetermined thickness of the finish material. It is very helpful to use scrap piece of non-combustible board and tile as a gauge. Ensure unit is centered and in correct position as this will dictate the location of the spigot, framing and finishing. When using the clean edge frame, the unit does not require to be pulled out of the zero shell.

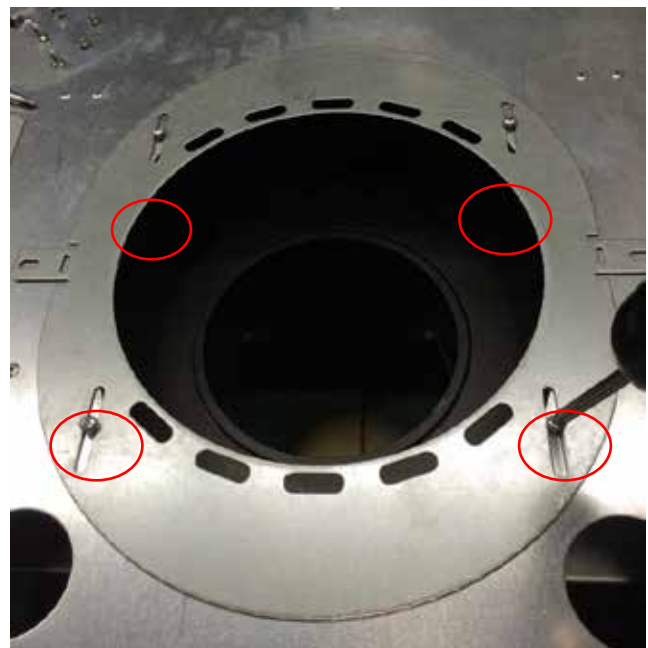


13. You are now ready to install the flueing. Loosen the 4 screws on the top of the unit that secure the adjustable flue plate. Set the plate so the unit spigot is centered. This is not required when using clean edge frame. Only required to do when using faceplate option.

Below is the view of the top of the unit prior to installation of the flue. The packaging material has been removed.

Please refer to Flue requirements on page 12. Install your flue system.

14. After flueing has been installed, complete the install of your optional kits such as fan and/or outside air kit



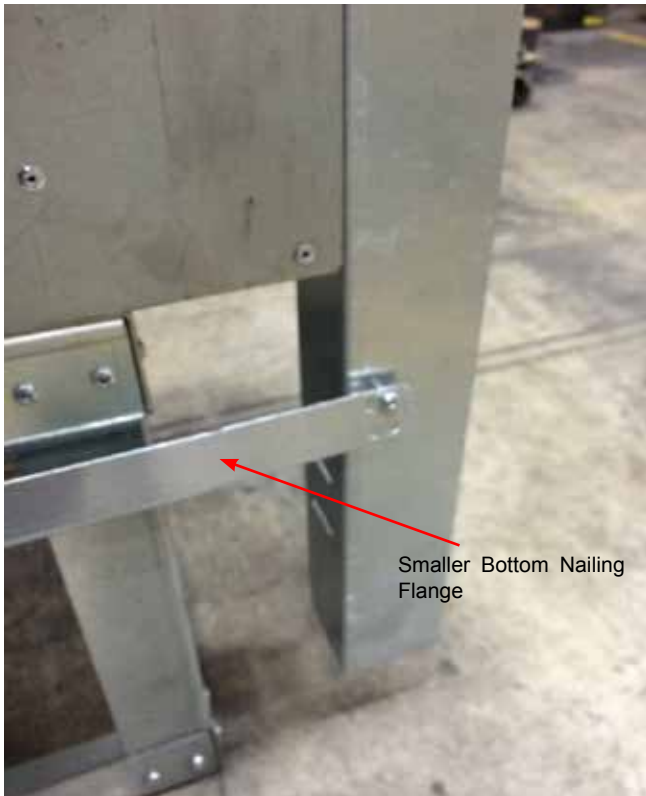
## INSTALLATION INSTRUCTIONS

### UNIT PREPARATION/FRAMING/CLEAN EDGE AND FACEPLATE WALL FINISHING

15. Install the nailing strips. The unit comes with four nailing strips. The top, left and right side are all the same and the bottom one is the smaller piece. Install the top and side nailing strips with the slotted side on the unit. The left and right should **NOT** be touching the floor. Secure with the screws provided. Install the bottom small nailing flange and secure to the left and right vertical ones. **DO NOT TIGHTEN SCREWS** on the top, left and right nailing flanges. **THIS APPLIES TO FACEPLATE AND CLEAN EDGE FRAME.**

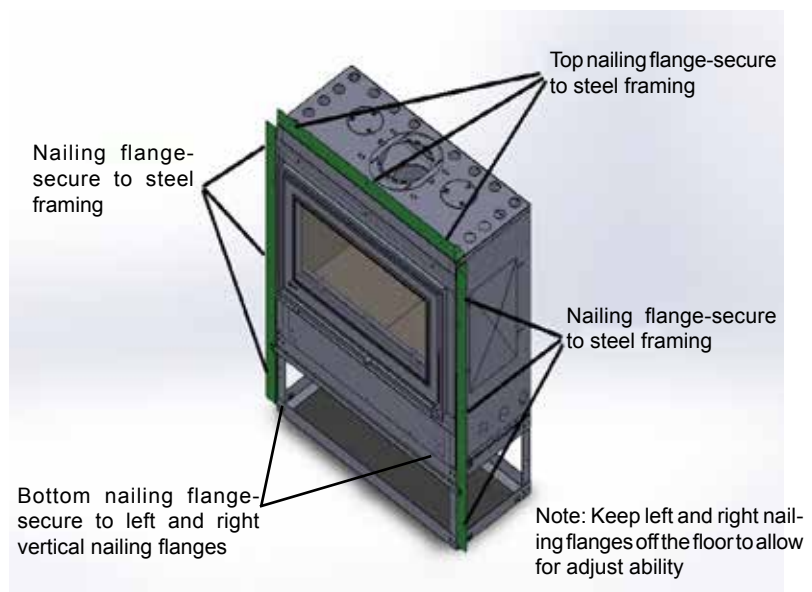


Nailing strip installed with slotted side on unit. The slot allows the movement of the nailing strip to be adjusted depending upon thickness of finish material.



16. When using the Faceplate option, the finishing materials sit behind the firebox flange when the unit is pulled forward to the pre-determined depth. Using the scrap pieces of non-combustible board and tile as gauge, insert them so they are tight against the backside the return edge of the firebox frame. Then slide the nailing flanges up against the backside of the non-combustible board/ finishing materials. Tighten the screws on the nailing flanges. Do this on the all three sides: top/ left and right.

**THE NAILING FLANGES ARE NOW SET TO THE THICKNESS OF THE FINISH MATERIAL**

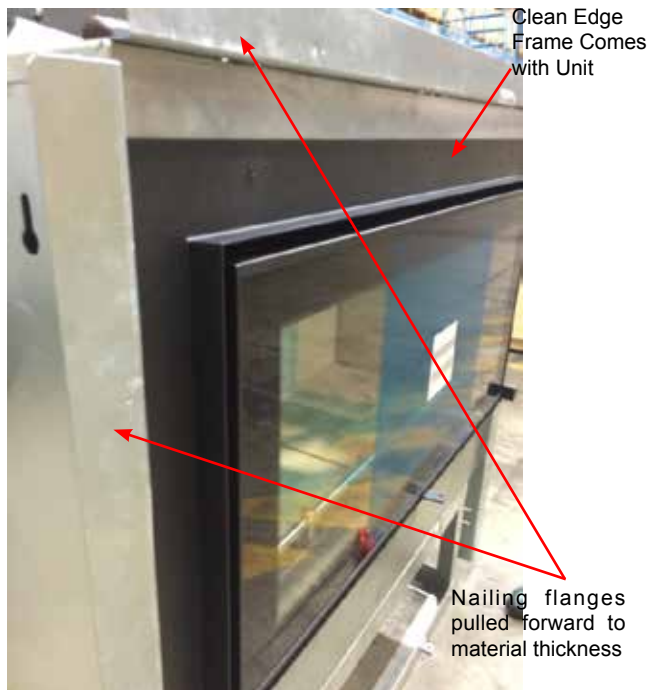


## INSTALLATION INSTRUCTIONS

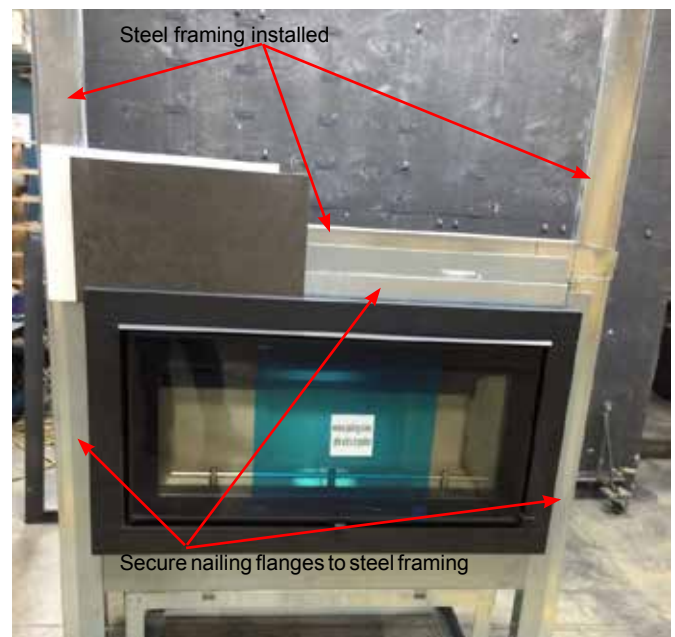
### UNIT PREPARATION/FRAMING/CLEAN EDGE AND FACEPLATE WALL FINISHING

17. When using the Clean Edge Frame, position the nailing flanges to the pre-determined thickness of the finish material. The finish materials and non-combustible board are to sit flush with the edge of the Clean Edge Frame. Using the scrap pieces as a gauge position them so they are flush with the front edge of the clean edge frame. Then slide the top nailing flange so it is tight against the back of the non-combustible board/finish material and tighten the screws. Do the same to the left and right sides.

**THE NAILING FLANGES ARE NOW SET TO THE THICKNESS OF THE FINISH MATERIAL**



18. Install the steel framing: The front wall requires to be constructed of non-combustible materials including the framing. Steel stud framing must be used. Install the left and right vertical steel frame and secure to the nailing flanges. Position the steel frame behind the nailing flange. Install the top horizontal steel frame and secure to the top nailing flange. Applies to both Clean Edge Frame and Faceplate.



19. Finish constructing the remainder of the front wall using steel framing. Ensure the framing is level and plumb and there is enough framing to secure the required non-combustible board.

20. Install the non-combustible board. Ensure there are no seams on the top and sides as these areas get extremely hot. Having no seams on the top and side will prevent cracking. Use only high heat non-combustible board.

21. Install the final layer of finishing material such as tile, slate, Etc. ENSURE ALL ADHESIVES/ GLUES/ ETC ARE HIGH HEAT RESISTANT. ALLOW BONDING AGENTS TO CURE PROPERLY BEFORE FIRING UNIT.



## OPTIONAL FAN KIT INSTALLATION

### LISTINGS AND CODE APPROVALS

This Fan Kit has been approved for use with Montrose L850.

Check with your local building code agency before you begin your installation to ensure compliance with local codes, including the need for "permits" and follow-up inspections. If any problems are encountered regarding code approvals, or if you wish clarification on any of the instructions contained here, contact your local dealer.

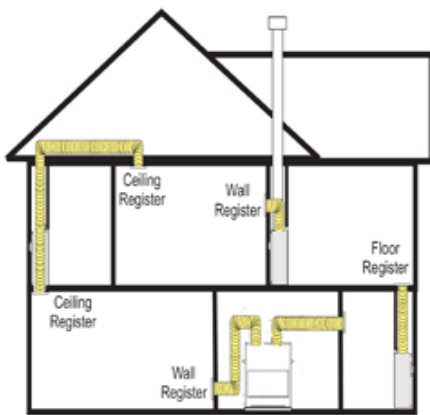


Diagram 1: Guide for possible air duct runs and locations. Keep duct length and number of bends to a minimum. Maximum duct length is 9.0m. **The Fan Kit (#946-591) DOES NOT contain any ducting. The optional extension duct kit (No. 7 in table below) is 4.5 m in length and part No. is (#946-596)**

Item No.	Description	No	Description
1	240V Fan Assembly	7	Aluminum Flex 4.5m
2	Duct Flange-Fan	8	Duct Mounting Plate
3	Adapter Round to Oval	9	Duct Flange-Stove
4	Angle Bracket	10	Sidewall Grille
5	Junction Box	11	Connector Clamp
6	Wall Adapter Plate		

### GENERAL INFORMATION

The Fan Kit increases the effectiveness of your fireplace by dispersing warm air from the fireplace to remote locations in the same room or other rooms in your home.

Up to two kits may be installed on the fireplace.

#### Important Installation Notes

- 1) The appliance installation must conform with local codes and installation codes.
- 2) The appliance when installed, must be electrically grounded in accordance with local codes.
- 3) This kit is tested and safe when installed in accordance with this installation manual. Please read all instructions before starting installation and follow all instructions carefully during installation.
- 4) Installation of this kit must be performed by a qualified service technician.
- 5) The Fan Kit must be installed only as specified. Any modifications of the kit or components will void the warranty and may cause a fire hazard.
- 6) Plan the location of the fireplace and the warm air duct runs, see diagram 1 as a guide for possible duct runs and locations.

#### Maximum Duct Run: 9.0m

If you require more than 4.5m please purchase an additional Fan Duct Extension Kit. (#946-596)

**NOTE:** Airflow through the duct system is affected by the duct length and number of bends. Keep the length and bends to a minimum to maximize performance.

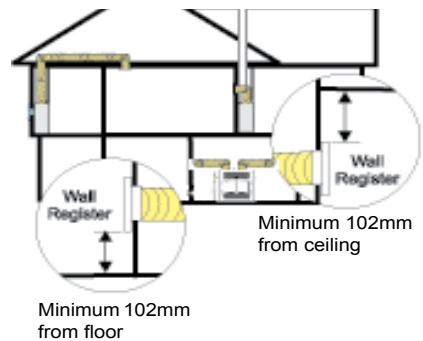
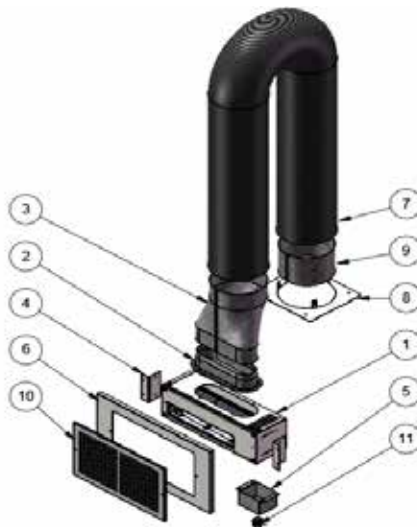
### MINIMUM FRAMING CLEARANCES

- \* Wall studs must be 407mm on center for mounting fan housing.
- \* Fan Housing: Maintain a (6mm) clearance from fan housing to combustible material.
- \* Wall Registers must be 102mm above floor and / or 102mm below ceiling.

- 1) Determine the location of the air register/fan housing assembly. Cut a 121mm x 406mm hole between framing members (wall studs or floor joists). Maintain a 6mm clearance from fan housing to combustible material. See Framing Clearances section.

#### Minimum Fan Duct Clearances

The fan ducting requires a minimum of 25mm clearance to combustibles.



## OPTIONAL FAN KIT INSTALLATION

**NOTE:** Installation of Fan Kit should be done prior to installation of the wall.

### L850 Montrose

2) Mount and secure the fan housing assembly to framing members, the front of the fan housing will protrude 12.7mm out of the wall so it may be finished with drywall, etc. See diagram 2

3. Install the air duct run. Secure the duct to the duct collar on the unit and the fan housing with 3 screws per end and aluminum duct tape.

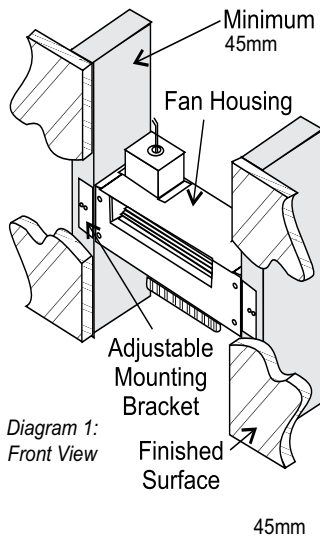


Diagram 1:  
Front View

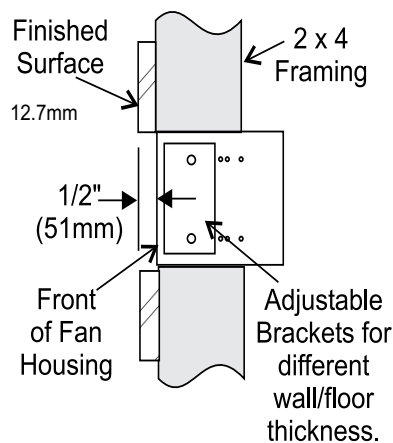
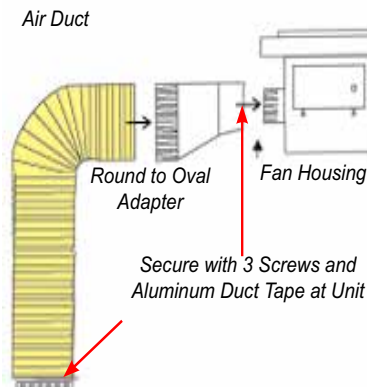


Diagram 2: Side View - Secure fan housing to minimum 45mm framing.

**Round Air Duct:** Attach the 152.4mm round air duct (supplied) to the fireplace collar and run the duct to the fan housing. Attach the round-to-oval adapter to the fan housing and the air duct to the adapter



4. Install the On/Off switch in a convenient location. This switch controls the fan operation. **NOTE:** Variable speed or Rotary 3 speed switch can be fitted.

5. Wire up the the fan, wall switch and power supply per local codes. See wiring diagram as reference.  
\*Electrician to supply wiring

6. Screw fan junction box to the fan housing.

7. Screw the Register Adapter Frame and the Air Register to the Fan Housing See diagram 4.

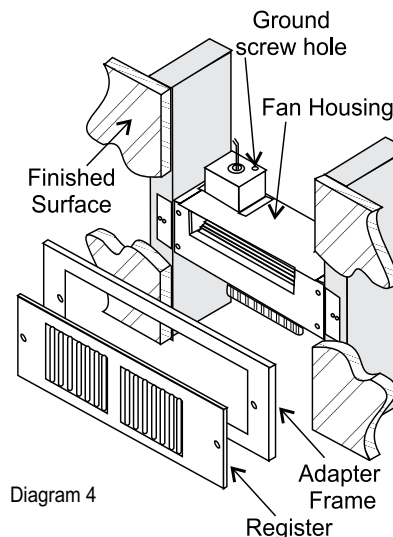
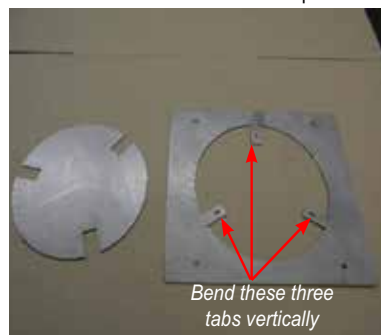


Diagram 4

8) Within the fan kit there is a flat plate with a knockout. Take the plate and remove the knockout and bend the three tabs up vertically.



9) Secure the collar within to the three tabs using the screws provided.



10) Remove the cover plate on the top of the unit. If installing two fans, remove both. Attach the knock off plate and collar to the same positions on the unit.



11) You are now ready to attach the other end of the fan ducting to the unit. Slide the ducting over the collar and secure with screws provided.



12) Final step is to double check the fan ducting connections at both the unit and fan. Next ensure there is a minimum of **25mm clearance to combustibles**. Strap and secure the fan duct. Double check the operation of the fan and all electrical work is completed.

## OPTIONAL FAN KIT INSTALLATION

### FAN DUCT EXTENSION KIT

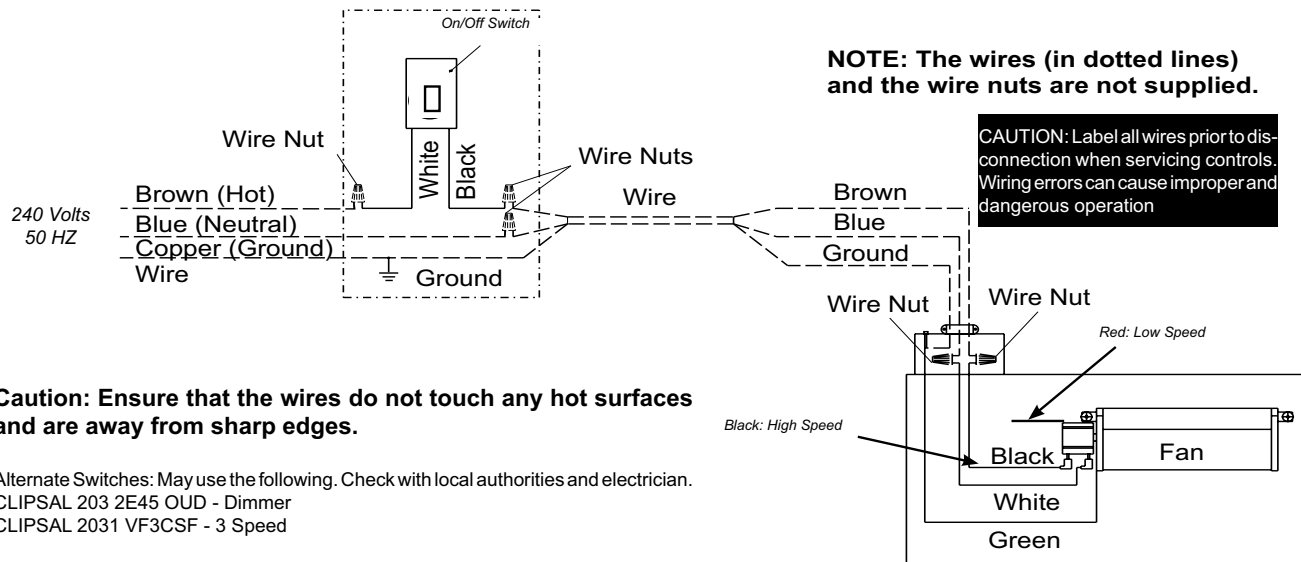
1. Attach the connecting collar to the duct that came with the duct kit. Use the screws provided.



2. Attach the 4.5m duct within this kit to the connecting collar on the opposite end with the screws provided. Extend the flex to the desired length.



### WIRING DIAGRAM



Installation of wiring and switching must be carried out by a qualified electrician

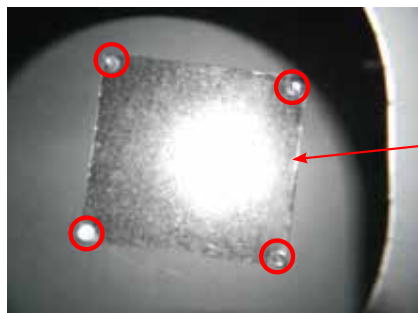
## OPTIONAL OUTSIDE AIR KIT INSTALLATION

### L850 Montrose

#### OUTSIDE AIR KIT INSTALLATION

When installing the outside air kit please ensure your pedestal base the unit sits on is hollow in the center. The outside adapter attaches to the bottom of the unit. It is recommended not to down-size the outside air ducting.

1. Evaluate your base frame. Ensure there is adequate space to allow the hook up of the adapter beneath the unit.
2. Gently lay the unit on its back to access the bottom. Remove the cover plate located on the bottom of the unit accessing the primary air control.



Remove screws and Cover Plate



View with Cover Plate removed and unit adapter installed.

3. Install the adapter ensuring it is centered on the primary air opening. Secure in place with the provided screws.

NOTE: The larger diameter end requires to be sitting below the unit. Insert adapter with smaller diameter end.



Large Diameter End to be Below Unit

4. Stretch the flex out to the distance required. Attach the flex to the large diameter part that is protruding below the bottom of the unit. Use the screws provided.



5. Cut a hole on your pre-determined outside wall to allow the fresh air hood to be installed. Install and secure the fresh air hood. Caulk around the flange to ensure tight seal against exterior of home. Join the flex from the unit adapter to the fresh air hood on the inside of the wall



## BRICK INSTALLATION

Firebricks are not in place at time of delivery to prevent damage.

Place 3 rear bricks at back of fireplace firstly.

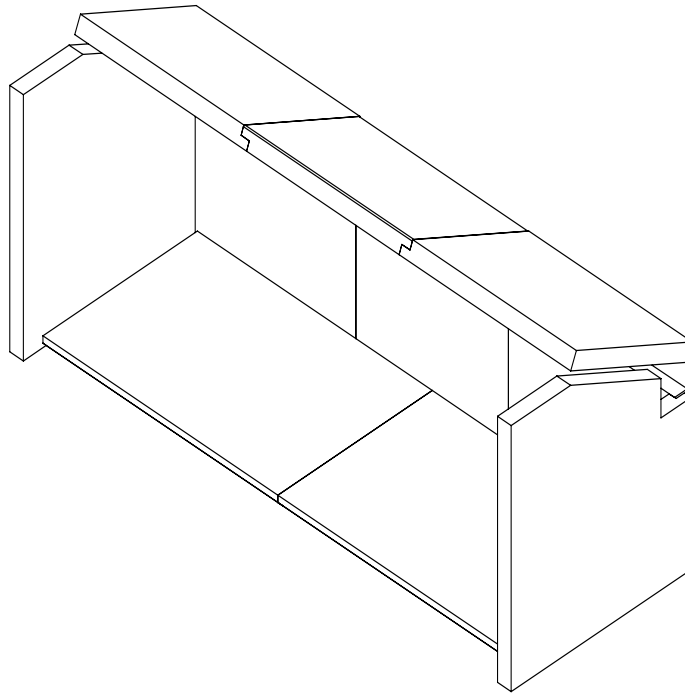
Then place 2 side bricks in position left and right.

3 x Baffle Bricks need to be placed in position at top of fire.

Finally insert 2 firebricks on the base of the firebox.

Firebricks are included as an integral part of the unit and not only enhance operating performance hence compliance of the unit but also to extend the life of your firebox.

These must be replaced if damaged in any way **in order not to Void the Warranty**





## APPLIANCE MAINTENANCE

### CREOSOTE

When wood is burned slowly, it produces tar and other organic vapours, which when combined with moisture, form creosote. The creosote vapours condense in the relatively cool chimney flue of a slow burning fire. As a result, creosote residue accumulates on the flue lining. When ignited, this creosote can result in an extremely hot fire.

**WARNING: Things to remember in case of a chimney fire:**

1. Close all draft and damper controls.
2. CALL THE FIRE BRIGADE.

#### Ways to Prevent and Keep Unit Free of Creosote

- 1) Burn stove with the draft control wide open for about 10-15 minutes every morning during burning season.
- 2) Burn stove with draft control wide open for about 10 - 15 minutes every time you apply fresh wood. This allows the wood to achieve the charcoal stage faster and burns up any unburned gas vapours which might otherwise be deposited within the system.
- 3) **Only burn seasoned wood!** Avoid burning wet or green wood. Seasoned wood has been dried at least one year.
- 4) A small hot fire is preferable to a large smouldering one that can deposit creosote within the system.
- 5) The chimney should be inspected at least once every two months during the heating season to determine if a creosote buildup has occurred.
- 6) **Have chimney system and unit cleaned by competent chimney sweeps twice a year during the first year of use and at least once a year thereafter or when a significant layer of creosote has accumulated (3 mm/1/8" or more) it should be removed to reduce the risk of a chimney fire.**

### ASH REMOVAL

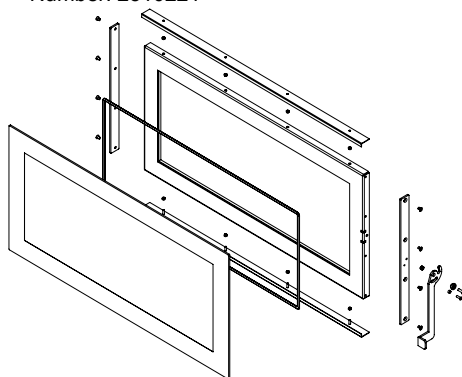
During constant use, ashes should be removed every few days.

#### Safety Precautions

- 1) Do not allow ashes to build up to the loading doors. Only remove ashes when the fire has died down. Even then, expect to find a few hot embers.
- 2) Please take care to prevent the build-up of ash around the start-up air housing located inside the stove box, under the loading door lip.
- 4) The firebricks are brittle and can be damaged if pieces that are too large are forced/thrown in.
- 5) Shovel out the ash into an appropriate container for removing ashes. The ash can still have hot embers so dispose of carefully. A large metal pail designed for ash removal is recommended. It should come with a tight fitting lid and wire handle for carrying.
- 6) Leave about 25mm of ash in the firebox. It will make it easier to build and maintain a fire. The hot coals tend to nestle into the ash and glow, adding more heat to the fuel and reflecting the heat back into the fire.

### GLASS INSTALLATION

Remove the door from the stove and remove the glass retainer. Position the glass in the door, make sure that the glass gasketing will properly seal your unit, and replace the retainer, it should rest on the gasket not the glass. Tighten securely, but do not wrench down on the glass as this may cause the glass to break. Replacement Glass Part Number: 2510221



### GLASS MAINTENANCE

Your Regency stove is supplied with Neoceram ceramic glass that will withstand the highest heat that your unit will produce. In the event that you break your glass by impact, purchase your replacement from an authorized Regency dealer only, and follow our step-by-step instructions for replacement.

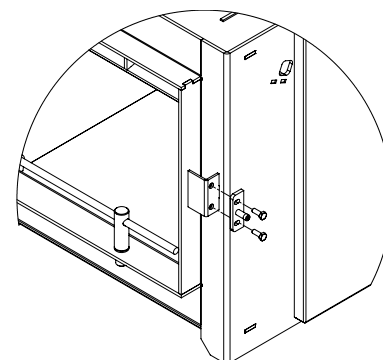
Allow the stove to cool down before cleaning the glass, do not clean the glass when it is hot and do not use abrasive cleaners as both will damage the glass.

### DOOR LATCH ADJUSTMENT

The door latch may require adjustment as the door gasket material compresses over time.

Follow the steps below to allow the latch to be moved closer to the door frame, causing a tighter seal

- 1) Unscrew latching sleeve.
- 2) Move door latch back towards the firebox by a few millimetres.
- 3) Retighten latch bolts.



## TROUBLE SHOOTING

Symptom	Possible Cause	Solution
<i>Fire will not start or starts slowly</i>	The combustion air control is closed, or insufficient combustion air is reaching the fire.	Ensure that the air control is open and that the air inlet is free from debris. If necessary crack open the fireplace door until the fire is started.
	Wet or insufficient kindling was used to try to start the fire	Use drier kindling and paper if necessary to start the fire. The initial burn helps to warm the chimney and establish a proper draft.
	Trying to burn wet "fuel" wood will slow down the start	Use drier "fuel" wood for the fire, and allow more air space to start the fire. Wood should have a moisture content of 15-20% for best results. Use more kindling to dry the "fuel" wood.
	A negative air pressure in the home which can reverse or impede the natural flow of flue gasses.	Crack open a door or window, and turn off all exhaust devices. Typically increasing chimney height will help to increase fireplace draw.
	A dirty or blocked chimney or blocked air inlets can reverse or impede the natural flow of flue gasses.	Inspect the chimney and fireplace for buildup or blockage and as necessary have the chimney and fireplace cleaned.
<i>Dirty Glass</i>	The air control may have been closed to soon, slowing down the burn of the fire, which will allow deposits to stick to the glass	Leave the air control open longer, at least 10-15 minutes every time you insert fresh wood, to ensure the fire has reached optimum temperature and properly established a draft.
	Burning wet wood will slow the burn of the fire, produce more smoke, and allow unburned fuel to stick to the glass.	Use drier wood for the fire. Wood should have a moisture content of 15-20% for best results.
	A dirty chimney, or an improperly sized or installed vent, will impede the flow of flue gasses slowing down the fire and allowing unburned fuel to stick to the glass.	Inspect the chimney for buildup or blockage and to ensure that the proper size and configuration of venting was installed (refer to the Unit's manual) and as necessary have the chimney cleaned, repaired, or replaced.
	An inadequate supply of combustion air will slow the burn and allow deposits to stick to the glass.	Ensure that air intakes are clean and clear of any debris. It may be necessary to install an outside air kit to provide adequate air supply.
	Worn gaskets will change the airflow of the fireplace and can allow deposits to stick to the glass.	Inspect and replace any worn gaskets to ensure proper airflow patterns within the unit.

Symptom	Possible Cause	Solution
<i>Fire burning too fast</i>	The door may have been left open, or the door latch may need adjustment.	Ensure that the door is properly closed and that when latched that the latch holds the door closed. If necessary adjust the latch (refer to the manual).
	Worn gaskets and/or an improperly installed ash plug (freestanding units) will change the airflow of the fireplace and can increase the speed of the burn by bypassing the air control system.	Inspect and replace any worn gaskets to ensure proper airflow patterns within the unit. Remove ash plug and clean the plug and surrounding area, then re-seat the plug into the bottom of the stove.
	The air control may have been left open, allowing the fire to burn faster	Once the fireplace has reached optimum temperature, adjust the primary air control to maintain optimum burn.
	Soft, rotten and extremely dry wood will burn quickly.	As much as possible use a dense and seasoned wood, preferably at 15-20% moisture content. If necessary mix newer, less seasoned wood with fuel that may be burning too fast.
	An overly tall chimney may create an excessive draft, which will increase the speed of the burn.	Although stove pipe dampers are not recommended in today's EPA Certified units, it is possible to install a chimney damper in the pipe at a height of 18" above the flue of the unit. This will restrict the flue gasses and help decrease the speed of the burn.
<b>CAUTION</b> <b>If the body of your unit starts to glow, you are overfiring the unit. STOP loading fuel immediately and close the draft control until the glow has completely subsided.</b>		

## OPERATING INSTRUCTIONS

With your unit now correctly installed and safety inspected by your local authority, you are now ready to start a fire. Before establishing your first fire, it is important that you fully understand the operation of your draft control.

**WARNING: ANY MODIFICATION OF THE APPLIANCE THAT HAS NOT BEEN APPROVED IN WRITING BY THE TESTING AUTHORITY IS CONSIDERED AS BREACHING AS/NZS 4013.**

**WARNING: DO NOT USE FLAMMABLE LIQUIDS OR AEROSOLS TO START OR REKINDLE THE FIRE.**

**WARNING: DO NOT USE FLAMMABLE LIQUIDS OR AEROSOLS IN THE VICINITY OF THIS APPLIANCE WHEN IT IS OPERATING.**

**WARNING: DO NOT STORE FUEL WITHIN HEATER INSTALLATION CLEARANCES.**  
**CAUTION: THIS APPLIANCE MUST BE MAINTAINED AND OPERATED AT ALL TIMES IN ACCORDANCE WITH THESE INSTRUCTIONS.**

**WARNING: OPEN AIR CONTROL (AND DAMPER WHEN FITTED) BEFORE OPENING FIRING DOOR.**

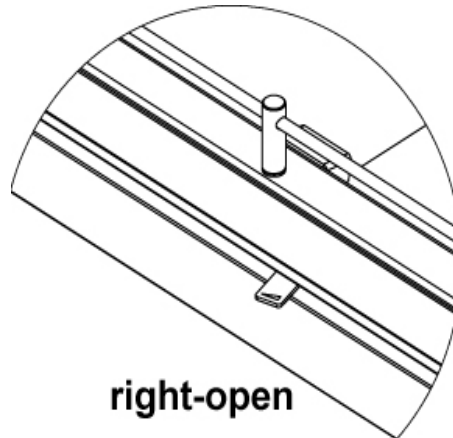
**CAUTION: THIS APPLIANCE SHOULD NOT BE OPERATED WITH A CRACKED GLASS.**

**CAUTION: THIS APPLIANCE SHOULD BE MAINTAINED AND OPERATED AT ALL TIMES IN ACCORDANCE WITH THESE INSTRUCTIONS.**

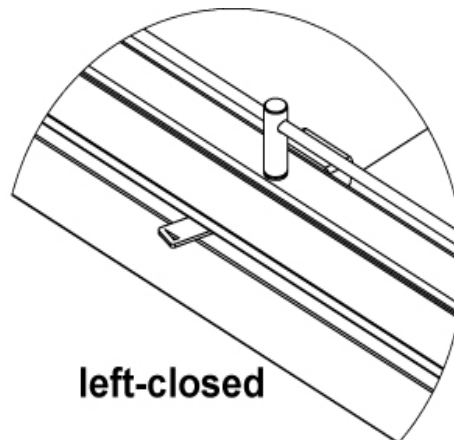
**CAUTION: THE USE OF SOME TYPES OF PRESERVATIVE-TREATED WOOD AS A FUEL CAN BE HAZARDOUS.**

## AIR SLIDE CONTROL

Both the primary and air wash drafts are controlled by the control rod located at the bottom of the unit (when facing the unit). To increase your draft - pull right to open, and to decrease - push left. All units have a secondary draft system that continually allows combustion air to the induction ports at the top of the firebox, just below the flue baffle.



right-open



left-closed

## FUEL REQUIREMENTS

**BURN ONLY HARDWOOD TIMBER THAT HAS BEEN SEASONED AND THE MOISTURE CONTENT OF THE LESS THAN 20%.**

**FRESHLY CUT WOOD REQUIRES AT LEAST 12-18 MONTHS TO BE READY FOR USE.**

**USING SEASONED TIMBER WITH PROPER MOISTURE CONTENT WILL ENSURE DRAFT, CLEAN GLASS, EFFICIENCY AND HEAT OUTPUTS.**

**CAUTION: BURN UNTREATED AIR DRIED SEASONED HARDWOODS ONLY. OTHER MATERIALS SUCH AS WOOD PRESERVATIVES, METAL FOILS, COAL, PLASTIC, GARBAGE, SULPHUR COAL, BRIQUETTES OR OIL WILL DAMAGE THE FIRE AND ATMOSPHERE AND VOID THE WARRANTY.**

"This wood heater is designed to burn natural wood only. Higher efficiencies and lower emissions generally result when burning air dried seasoned hardwoods, as compared to green or freshly cut hardwoods."

**DO NOT BURN  
(WILL VOID WARRANTY)**

- Treated wood
- Tea Tree
- Oil based woods
- Coal
- Garbage
- Cardboard
- Solvents
- Colored Paper
- Trash

**SAVE THESE INSTRUCTIONS**

## WOOD STORAGE

Store wood under cover, such as in a shed, or covered with a tarp, plastic, tar paper, sheets of scrap plywood, etc., as uncovered wood can absorb water from rain or snow, delaying the seasoning process.

For safety reasons and in order to avoid over firing of your unit do not burn your fire with the door open or ajar

**WARNING: To build a fire in ignorance or to disregard the information contained in this section can cause serious permanent damage to the unit and void your warranty!!**

**WARNING: Do not over-fire this unit and always open the door slowly when reloading**

## LIGHTING THE APPLIANCE AND THE FIRST FEW FIRES

When your installation is completed and inspected you are ready for your first fire.

**1)** Split wood into 3 stacks: Kindling, Start Up, (larger pieces than kindling) and firewood.

**2)** Open draft control fully.

**3)** Open firebox door and build a small fire using paper and dry kindling on the firebrick base. Secure door on the firebox and wait a few minutes for a good updraft in the flue to establish the fire.

Add start up fuel and spread across the unit. It is important to create airspaces within the pieces of start up fuel for proper ignition and clean combustion. (Leaving the door slightly open will help your fire start more rapidly.)

**CAUTION: Never leave unit unattended if door is left open. This procedure is for fire start-up only, as unit may overheat if door is left open for too long.**

**4)** With the draft still in the fully open position add two or three seasoned logs to your fire. Form a trench in the ash bed to allow air to reach the rear of the firebox prior to closing the door.

**5)** After about 45 minutes, when your wood has begun to burn strongly, adjust your draft control down to keep the fire at a moderate level.

**WARNING: Never build a roaring fire in a cold stove. Always warm your stove up slowly!**

**6)** Once a bed of coals has been established on the base of the firebox, you may adjust the draft control to a low setting to operate the unit at its most efficient mode.

**7)** During the first few fires, keep the combustion rate at a moderate level and avoid a large fire. Only after 5 or 6 such fires can you operate the stove at its maximum setting, and only after the metal has been warmed.

**8)** For the first few days, the stove will give off an odour from the paint. This is to be expected as the high temperature paint becomes seasoned. Windows and/or doors should be left open to provide adequate ventilation while this temporary condition exists. Burning the stove at a very high temperature the first few times may damage the paint. Burn fires at a moderate level the first few days.

**9)** Do not place anything on the stove top during the curing process. This may result in damage to your paint finish.

**10)** During the first few days it may be more difficult to start the fire. As you dry out the firebrick and your masonry flue, the draft will increase.

**11)** For those units installed at higher elevations or into sub-standard masonry fireplaces, drafting problems may occur. Consult an experienced dealer or mason on methods of increasing your draft.

**12)** Some cracking and popping noises may be experienced during the heating up process. These noises will be minimal when your unit reaches temperature.

**13)** Before opening your door to reload, open draft fully for approximately 10 to 15 seconds until fire has been re-established. This will minimize any smoking. Open door slowly.

**14)** All fuel burning appliances consume oxygen during operation. It is important that you supply a source of fresh air to your unit while burning. A slightly opened window is sufficient for the purpose. If you also have a fireplace in your home, a downdraft may be created by your Regency Stove causing a draft down your chimney. If this occurs, slightly open a window near your unit.

**CAUTION: If the body of your unit, flue baffle or any part of the chimney connector starts to glow, you are over firing. Stop loading fuel immediately and close the draft control until the glow has completely subsided.**

**15)** Green or wet wood is not recommended for your unit. If you must add wet or green fuel, open the draft control fully until all moisture has been dispersed by the intense fire. Once all moisture has been removed, the draft control may be adjusted to maintain the fire.

**16)** If you have been burning your stove on a low draft, use caution when opening the door. After opening the damper, open the door a crack, and allow the fire to adjust before fully opening the door.

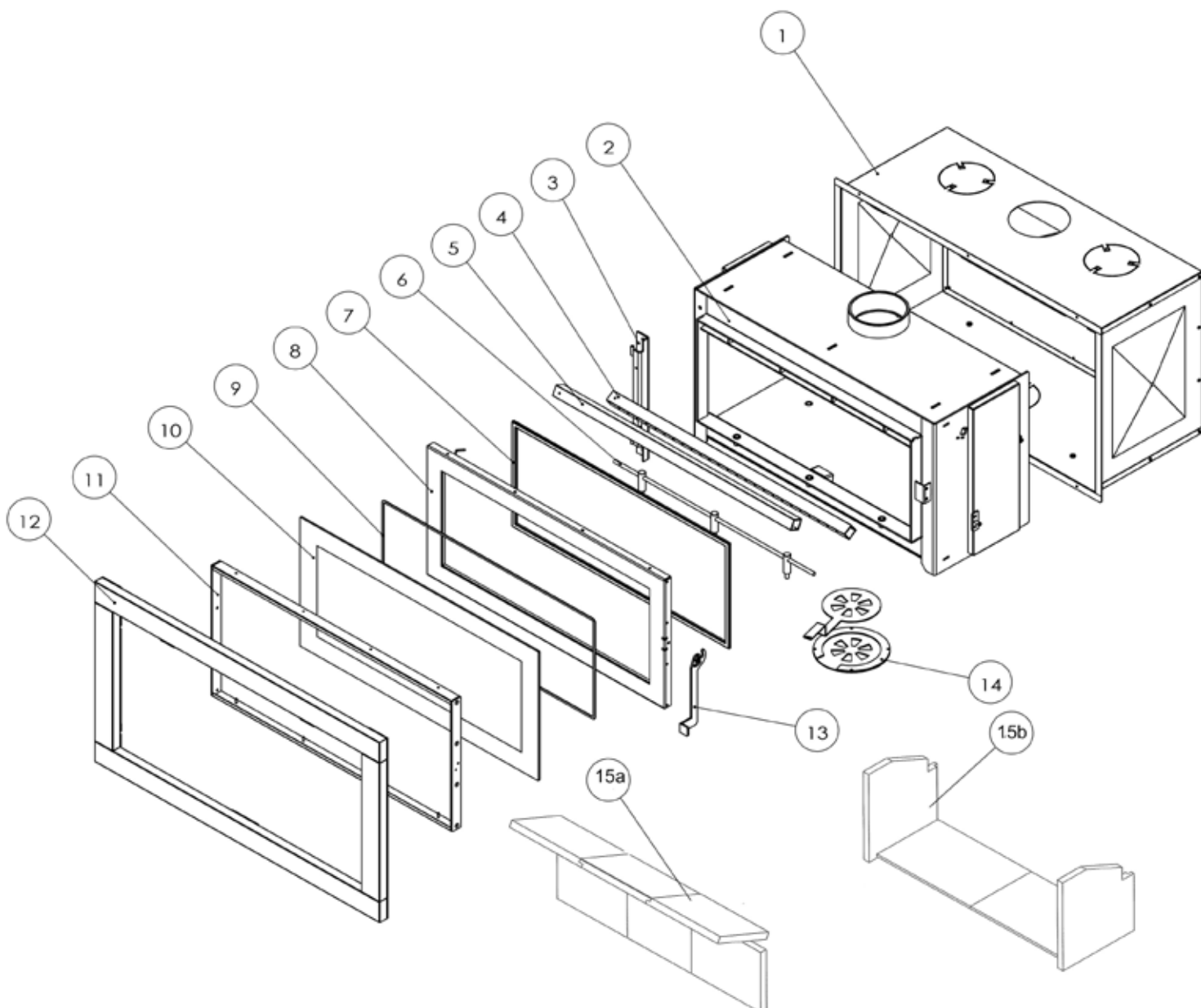
**17)** The controls of your unit or the air supply passages should not be altered to increase firing for any reason.

**18)** If you burn the unit too slowly or at too low a setting your unit will not be operating as efficiently as it can. An easy rule of thumb says that if your glass is clean, then your flue is clean and your exhaust is clean. Burn the stove hot enough to keep your glass clean and you won't need to clean your flue as often.

**DO NOT LOAD FIREPLACE OR COVER THE REAR SECONDARY TUBE. ENSURE COALS / FUEL ARE BEHIND LOG RETAINER DO NOT OPEN DOOR WITH A ROARING FIRE OR WITH AIR CONTROL IN LOW POSITION. WHEN REFUELING ALWAYS ENSURE AIR CONTROL IS IN HIGH POSITION.**

**MAIN ASSEMBLY**

1) 1565000	Firebox Shell	12) 1560402A	L850B Fascia
2) 1561000	Firebox Assembly	1560402B (Not Shown)	L850B Fascia with box
4) 1560500	Back Secondary Air Tube	13) 1562200	Door Handle
5) 1563000	Front Secondary Air Tube	14) 1567000	Air Damper Assembly
6) 1568000	Log Bar Support Assembly	15a) 1560030	Top (3) and Rear (3) Bricks
7) 1562007	Door Gasket	15b) 1560040	End (2) and Base (2) Bricks
8) 1562100	Door Frame Assembly	16) 1560019	Door Opening Tool
9) 3720301	Glass Gasket	18) 1569000	Adjustable Door Latch
10) 2510221	Black Trimmed Ceramic Glass	1560404A (Not Shown)	Std Clean Edge Front (no box)
11) 1562400	Glass Retainer Bracket	1560404B (Not Shown)	Std Clean Edge Front (with box)



### INSTALLATION OF APPLIANCE CHECKLIST

For future reference and to assist in any warranty claim please complete the following information.  
In the unlikely event of a problem, contact your installer or dealer for assistance:

#### APPLIANCE WAS PURCHASED FROM

Name: \_\_\_\_\_

Address: \_\_\_\_\_

Telephone Number: \_\_\_\_\_

#### MODEL DETAILS

Date Installed: \_\_\_\_\_

Model Description: \_\_\_\_\_

Serial Number: \_\_\_\_\_

#### INSTALLED BY

Company Name: \_\_\_\_\_

License Number: \_\_\_\_\_

Plumber Name: \_\_\_\_\_

Address: \_\_\_\_\_

Telephone Number: \_\_\_\_\_

#### COMMISSIONING CHECKS (TO BE COMPLETED AND SIGNED)

Is flue system set up in accordance with AS2918

YES  NO

Smoke and Spillage test completed

YES  NO

Use of appliance and operation of controls explained

YES  NO

Clearance to combustible materials checked

YES  NO

Installers Signature: \_\_\_\_\_

Print Name: \_\_\_\_\_

Date: \_\_\_\_\_



**Regency Fireplace Products are designed with reliability and simplicity in mind. In addition, our internal Quality Assurance Team carefully inspects each unit thoroughly before it leaves our door. Fireplace Products Australia Pty. Ltd. is pleased to extend this warranty to the original purchaser of a Regency Product. This warranty is not transferable.**

**The Warranty:**

Covered under the agreement against manufacturer's defects from the date of purchase are the following components:

The Firebox for 15 years; **(Parts & labour for the first 5 Years and parts only thereafter)**  
 Steel Baffles for 12 months;  
 Cast Iron Liners / Baffles for 2 years;  
 Electrical components (ie. fans, switches) for 12 months. **(Parts & labour from the invoiced purchase date)**

Regency Fireplace Products is not liable for freight or labour on any wood burning appliance replaced in field.

**Repair/replacement parts purchased by the consumer from Regency Fireplace Products after the original coverage has expired on the unit will carry a 90 day warranty, valid with a receipt only. Any item shown to be defective will be repaired or replaced at our discretion. No labour coverage is included with these parts.**

**Conditions:**

Any part or parts of this unit which in our judgement show evidence of such defects will be repaired or replaced at Regency Fireplace Product's option, through an accredited distributor or agent provided that the defective part be returned to the distributor or agent **Transportation Prepaid**, if requested. In areas where there is not an approved service agent or the closest approved service agent is situated more than thirty (30) kilometres from the installation, Regency is not obliged to arrange warranty repairs and travel and/or additional labour charges will apply.

It is the general practice of Regency Fireplace Products to charge for larger, higher priced replacement parts and issue credit once the replaced component has been returned to Regency Fireplace Products and evaluated for manufacturer defect.

The authorised selling dealer is responsible for all in-field service work carried out on your Regency product. Regency Fireplace Products will not be liable for results or costs of workmanship from unauthorised service persons or dealers.

At all times Regency Fireplace Products reserves the right to inspect product in the field which is claimed to be defective.

All claims must be submitted to Regency Fireplace Products by authorized selling dealers. It is essential that all submitted claims provide all of the necessary information including customer name, purchase date, serial #, type of unit, problem, and part or parts requested, without this information the warranty will be invalid.

**Exclusions:**

This warranty does not extend to or include paint, door or glass gasketing, neo-ceramic glass, firebrick or trim. It does not cover installation and operational related problems such as over-firing, use of corrosive driftwood, downdrafts or spillage caused by environmental conditions, nearby trees, buildings, hilltops, mountains, inadequate flueing or ventilation, excessive offsets, negative air pressures caused by mechanical systems such as furnaces, fans, clothes dryers etc.

At no time will Regency Fireplace Products be liable for any consequential damages which exceed the purchase price of the unit. Regency Fireplace Products has no obligation to enhance or modify any unit once manufactured. ie. as products evolve, field modifications or upgrades will not be performed.

Regency Fireplace Products will not be liable for travel costs for service work.

Installation and environmental problems are not the responsibility of the manufacturer and therefore are not covered under the terms of this warranty policy.

Any unit which shows signs of neglect or misuse is not covered under the terms of this warranty policy.

The warranty will not extend to any part which has been tampered with or altered in any way, or in our judgment has been subject to misuse.

Freight damage to stoves and replacement parts is not covered by warranty and is subject to a claim against the freight carrier by the dealer.

Regency Fireplace Products will not be liable for acts of God, or acts of terrorism, which cause malfunction of the appliance.

Performance problems due to operator error will not be covered by this warranty policy.

Products made or provided by other manufacturers and used in conjunction with the operation of this appliance without prior authorisation from Regency Fireplace Products may nullify your warranty on this product.

# Register your Regency® warranty online [www.regency-fire.com.au](http://www.regency-fire.com.au)



## Reasons to register your product online today!

- View and modify a list of all your registered products.
- Request automatic email notification of new product updates.
- Stay informed about the current promotions, events, and special offers on related products.
- Help assure you get the most out of your warranty.
- Eliminate confusion and frustration if warranty\*\* service is required in the future.

\*\* Proof of purchase required at time of warranty request.

***Installer: Please complete the following information***

**Dealer Name & Address:** \_\_\_\_\_  
\_\_\_\_\_

**Installer:** \_\_\_\_\_

**Phone #:** \_\_\_\_\_

**Date Installed:** \_\_\_\_\_

**Serial No.:** \_\_\_\_\_