

LANDSCAPE® BALANCED FLUE SPACE HEATER

INSTALLATION & OPERATING MANUAL

The Landscape 1000 & 1600 are approved to be installed as a zero clearance firebox and are designed to operate on Natural Gas and Propane (LPG) gases ONLY. Approval Number GMK 10056.

VERSION 19

WARRANTY

Provided your Real Flame gas fire is installed in strict accordance with our installation instructions, the firebox is unconditionally guaranteed for ten years and all other parts for twelve months from date of purchase.

This unconditional warranty covers parts and labour at our discretion taking into consideration normal wear and tear and does not cover fires installed in outdoor settings.

WARNING

The “Landscape 1000 & 1600” have a primary safety glass fitted in front of the glass door. This safety glass is fitted to these appliances to reduce the risk of injury from burns and at no time should this glass be permanently removed.

For protection of young children or the infirm, a secondary guard is required.

WARNING

The outer glass panel gets extremely hot! Precaution should be taken and young children supervised at all times when heater is operating.

INSTALLATION NOTICE

- The installation of this appliance is only to be carried out by an authorised person in accordance with the Manufacturer’s Instructions, local gas fitting regulations, AS5601-2004 installation code for gas burning appliances and any other relevant statutory regulations.
- Do not modify this appliance.
- In all cases the installation of this appliance shall meet the requirements as set out in AS5601-2004.

- **NOTE: A slight smell may be apparent for the first few hours of use. This is due to the heat resistant paint curing. It is recommended to open windows in the room for the first lighting of the fire. In some instances a slight discolouration may occur inside the firebox. This is a normal condition and is not covered by warranty.**

IMPORTANT SAFETY NOTICE

- **DO NOT PLACE ARTICLES ON OR AGAINST THIS APPLIANCE.**
- **DO NOT USE OR STORE FLAMMABLE MATERIAL NEAR THE APPLIANCE.**
- **DO NOT SPRAY AEROSOLS IN THE VICINITY OF THIS APPLIANCE WHILST IT IS IN OPERATION.**
- **CARE MUST BE TAKEN TO ENSURE THAT ANY RETURN AIR REGISTER OR EXHAUST SYSTEM DOES NOT ADVERSLEY AFFECT THE OPERATION OF THE APPLIANCE OR DRAUGHT OF CHIMNEY OR FLUE.**

CONTENTS

Contents	3
Data Plate	4
Zero Clearance introduction	5
Dimensions Landscape 1000	6
Dimensions Landscape 1600	7
Terminations	8
Timber frame installation.....	9
Vertical & horizontal venting installation	12
Tests to be carried out by installer	13
Pebble set up	13
Servicing and maintenance	14
Parts list	16
Gas control assembly	17
Flue termination (cowls) regulations	18
Remote control operating guide	19
Electrical diagram	22
Troubleshooting	24
Real Flame contact information	28

DATA PLATE (Affixed to the base of the unit for reference to gas pressure & consumption)

MODEL LANDSCAPE 1000		
GAS TYPE		
NATURAL GAS @ 0.8 kPa TEST PRESSURE POINT (HIGH)	INJECTOR SIZE 3 X 2.3mm	GAS CONSUMPTION 41Mj/h
LPG @ 2.6 kPa TEST PRESSURE POINT (HIGH)	INJECTOR SIZE 3 X 1.1mm	GAS CONSUMPTION 41Mj/h
NATURAL GAS @ 0.40 kPa TEST PRESSURE POINT (LOW)	INJECTOR SIZE 3 X 2.3mm	GAS CONSUMPTION 28Mj/h
LPG @ 0.90 kPa TEST PRESSURE POINT (LOW)	INJECTOR SIZE 3 X 1.1mm	GAS CONSUMPTION 28Mj/h
APPROVAL NO: GMK10056		
SERIAL NUMBER:		
DATE OF MANUFACTURE		WEIGHT 132 KG

MODEL LANDSCAPE 1600		
GAS TYPE		
NATURAL GAS @ 1.00 kPa TEST PRESSURE POINT (HIGH)	INJECTOR SIZE 4 X 2.75mm	GAS CONSUMPTION 51Mj/h
LPG @ 2.6 kPa TEST PRESSURE POINT (HIGH)	INJECTOR SIZE 4 X 1.0mm	GAS CONSUMPTION 51Mj/h
NATURAL GAS @ 0.40 kPa TEST PRESSURE POINT (LOW)	INJECTOR SIZE 4 X 2.75mm	GAS CONSUMPTION 31Mj/h
LPG @ 1.50 kPa TEST PRESSURE POINT (LOW)	INJECTOR SIZE 4 X 1.0mm	GAS CONSUMPTION 38Mj/h
APPROVAL NO: GMK10056		
SERIAL NUMBER:		
DATE OF MANUFACTURE		WEIGHT 195 KG

LANDSCAPE MODEL

INTRODUCTION

The Real Flame “Landscape” is a ribbon burner space heater for use with **Natural Gas Aus & NZ and Propane.**

The Real Flame warranty will be voided by, and Real Flame disclaims any responsibility for the following actions:

- Modification of the space heater and/or components including balanced flue assembly or glass door.
- Use of any component part not manufactured or approved by Real Flame in combination with this “Landscape” fireplace system.
- Installation other than as instructed in this manual.

CAUTIONS

- Due to its high operating temperature, the appliance should be located out of traffic and away from furniture and draperies.
- Children and adults should be alerted to the hazards of the high surface temperature, which could cause burns or clothing ignition.
- Young children should be carefully supervised when they are in the same room as the appliance.
- Clothing or other flammable materials must not be placed on or near the appliance.

SELECTING YOUR APPLIANCE LOCATION

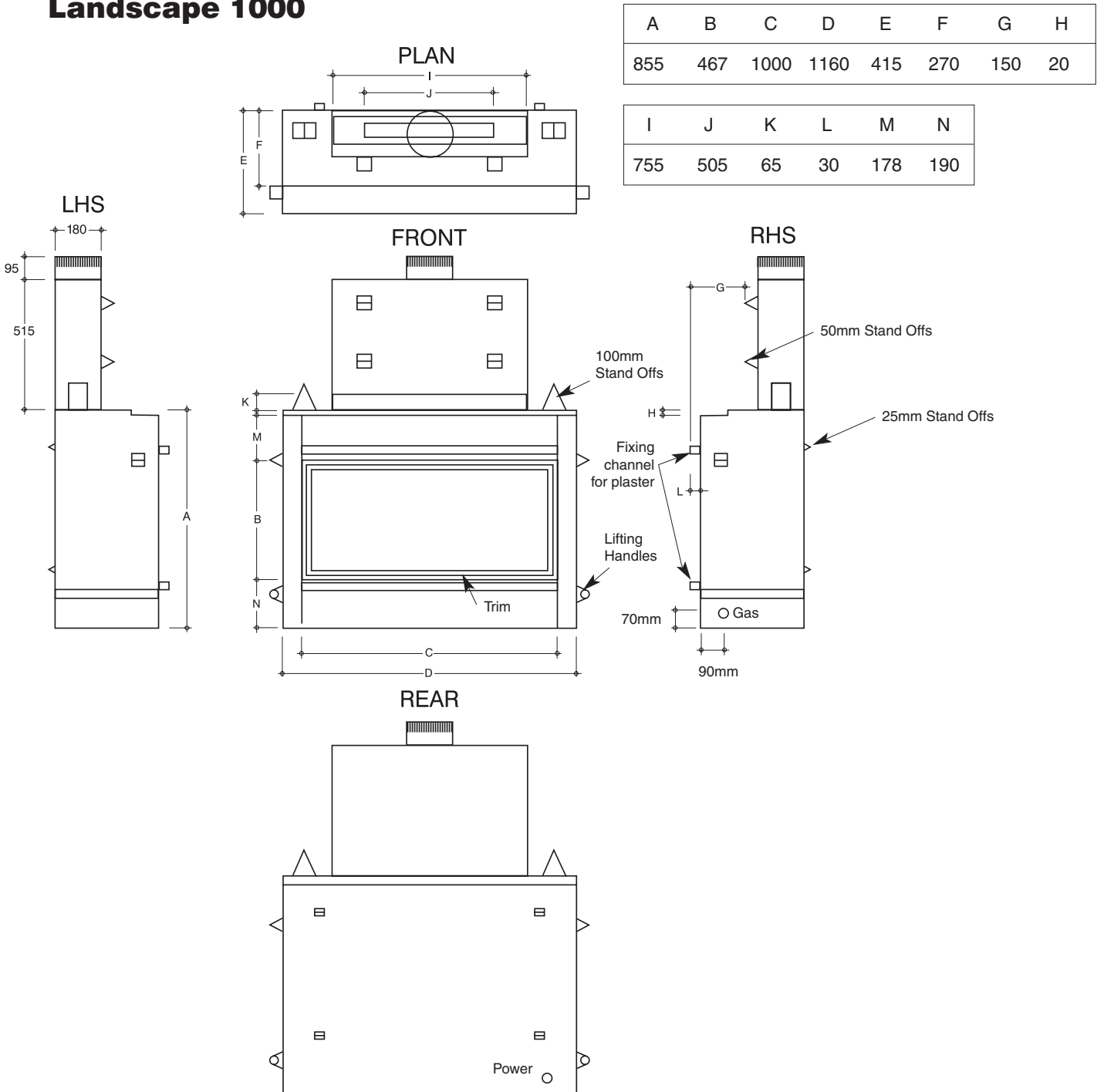
Your appliance may be installed in any location that is free of air conditioning ducts, electrical wiring and plumbing. Safety, as well as efficiency of operation, must be considered when selecting the heater location. Try to select a location that does not interfere with room traffic and offers access for the Balanced Flue terminal installation. Refer to AS5601-2004 for minimum clearances for Balanced Flue termination.

WARNING

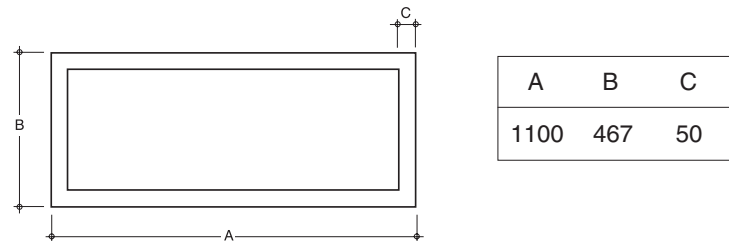
When this appliance is installed directly on tile or other combustible materials other than wood flooring, the appliance should be installed on a metal or wood panel extending the full width and depth of the appliance.

DIMENSIONS

Landscape 1000

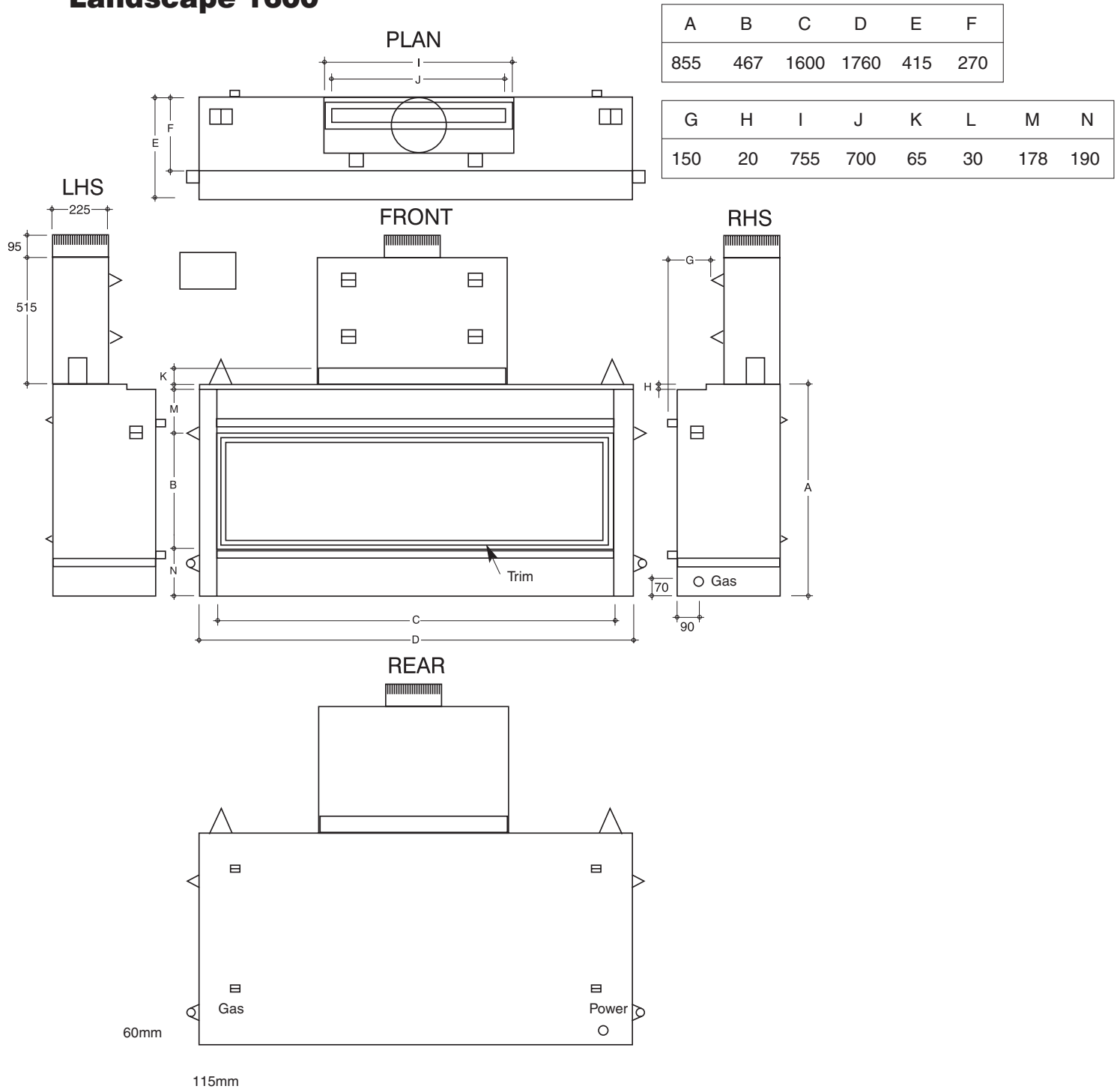


Landscape 1000 Trim

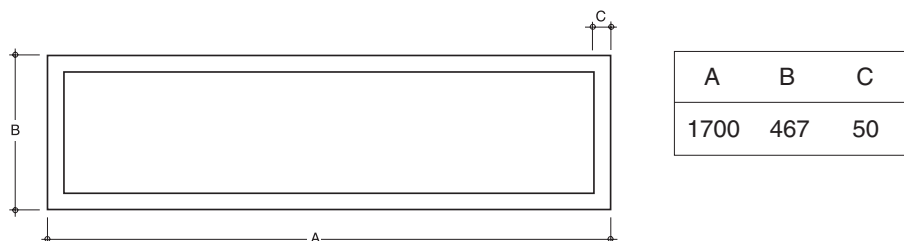


DIMENSIONS

Landscape 1600



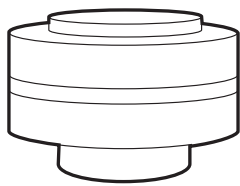
Landscape 1600 Trim



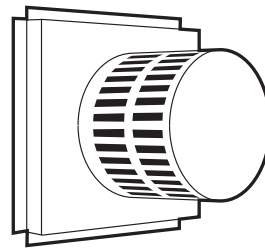
LANDSCAPE MODEL (continued)

Cowl types

- The Landscape is a balanced flue space heater.
- It can be installed with the flue terminating with a horizontal or vertical cowl to suit the application.



Vertical top termination
Vertical top termination

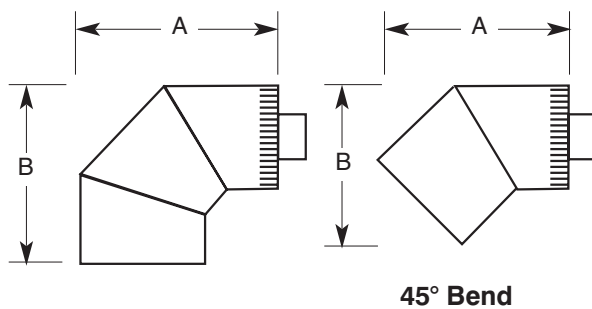


Horizontal rear termination
RF/HZ

Flue

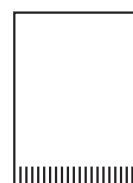
Model	Inner	Outer	90° Bend		45° Bend	
			A	B	A	B
1000	100	180	265	370	260	200
1600	150	225	315	315	270	270

Flue Components

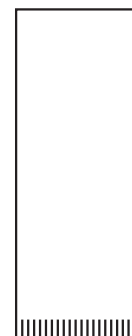


90° Bend

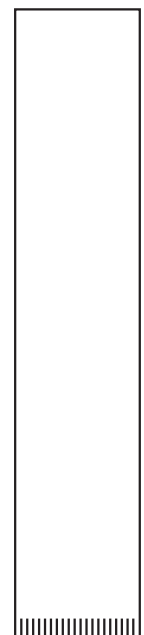
45° Bend



300mm



600mm



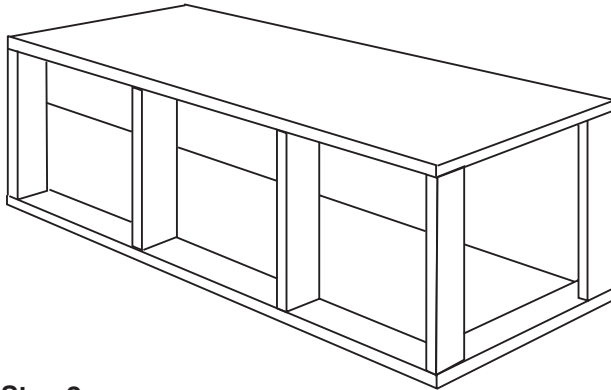
1200mm

LANDSCAPE MODEL (continued)

Timber Frame Installation Procedure

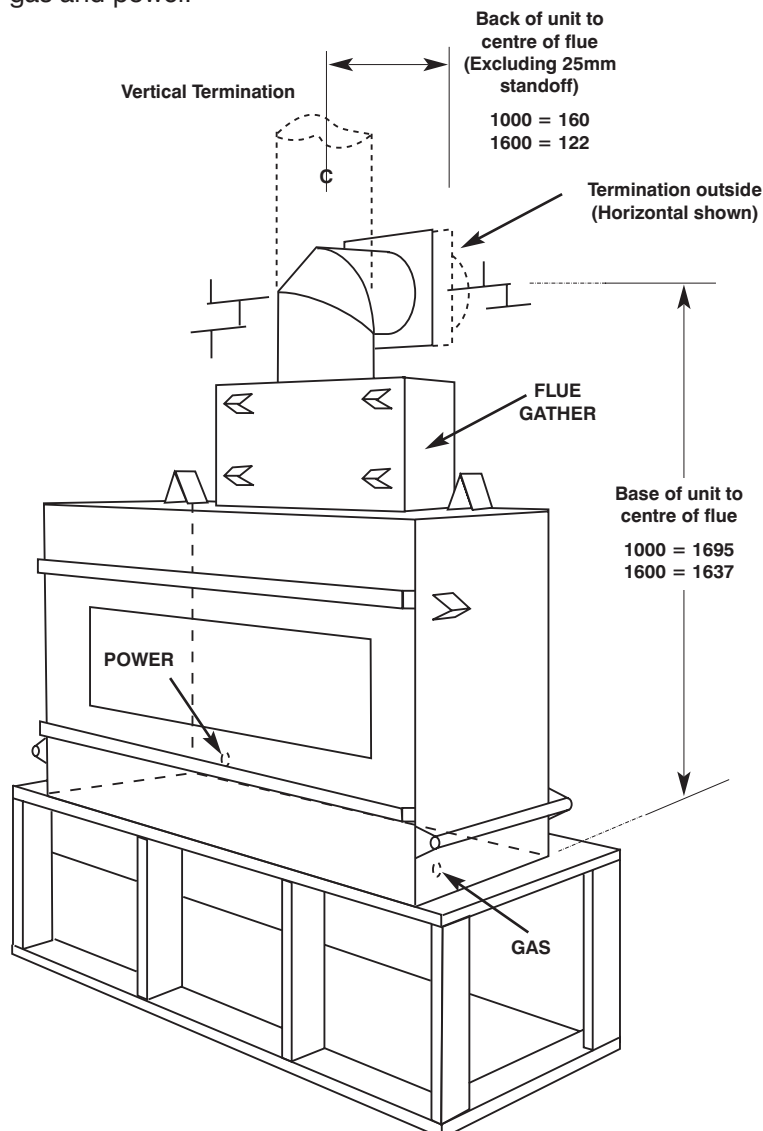
Step 1

Construct the base for the unit. Ensure base is adequate for the weight of the fire.



Step 2

Call for delivery of the unit, position on the base and fit off gather, flues and termination. Connect gas and power.

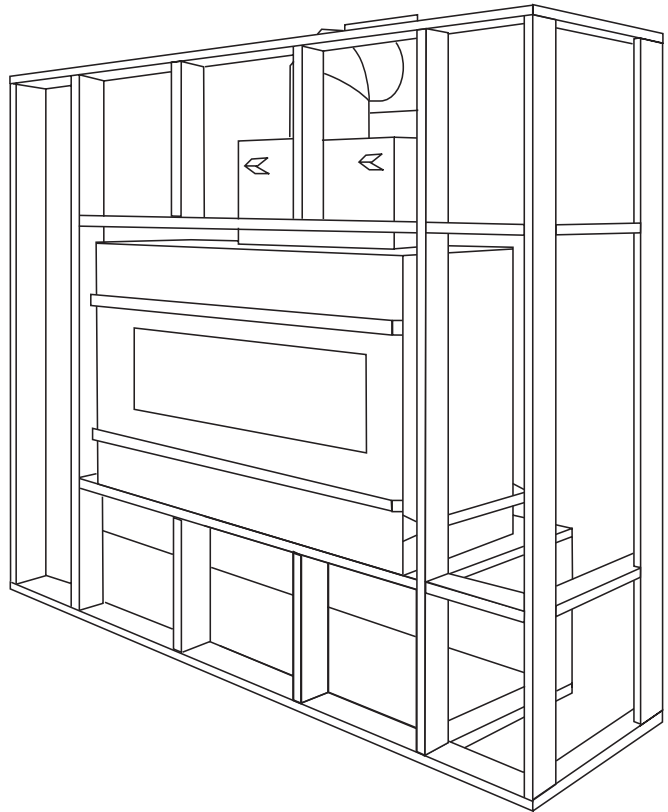


LANDSCAPE MODEL (continued)

Timber Frame Installation Procedure

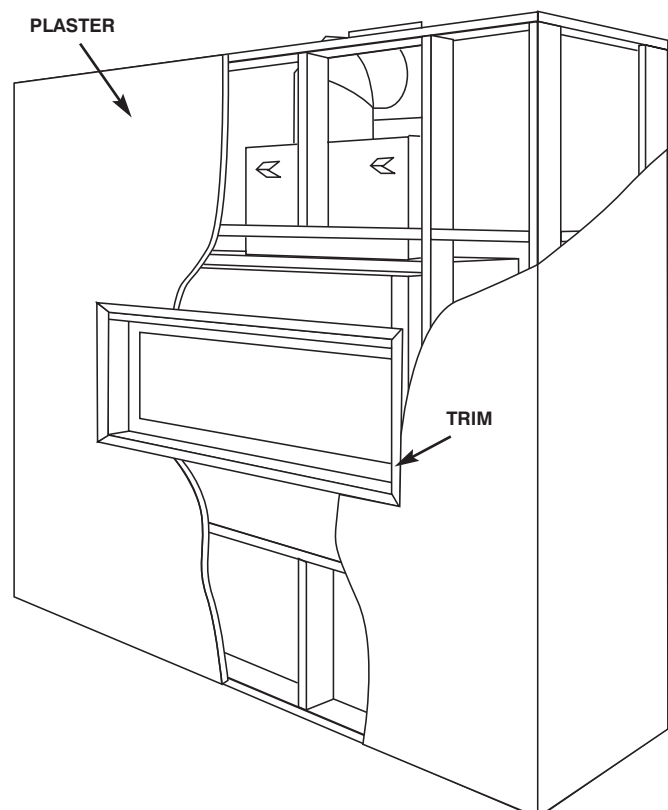
Step 3

Construct the frame around the fire as per drawing, taking note of required clearances. (See page 11)



Step 4

Sheet plaster and finish remembering to run plaster beyond stud and behind trim.

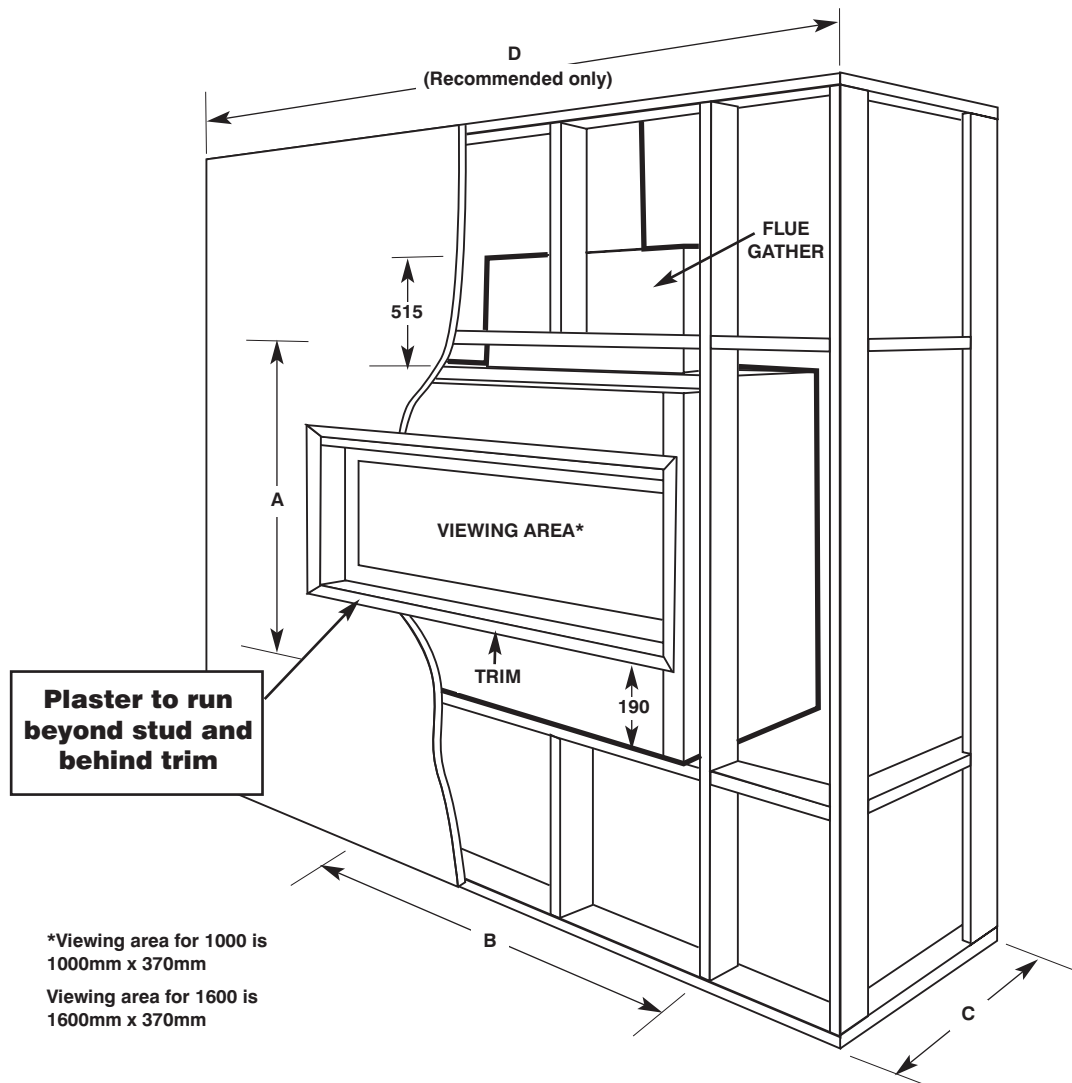


Step 5

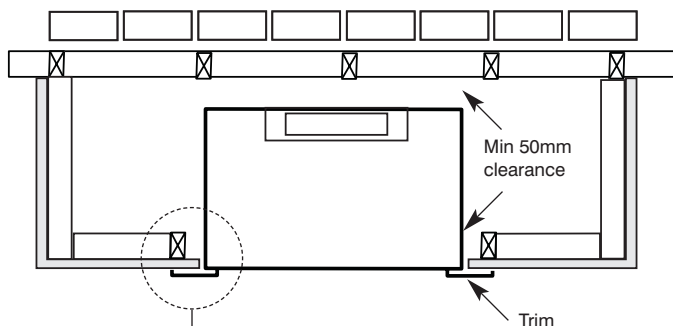
Commission fire as per page 13.

LANDSCAPE MODEL (continued)

Landscape 1000 & 1600 Timber Frame Installation Dimensions



NOTE: Ensure frame is suitable for fire weight.



NOTE

Plasterboard to run beyond stud as shown, and to go behind trim.

Frameout Dimensions (in mm)

MODEL	A	B	C	D
1000	960	1260	475	1800
1600	960	1860	475	2400

CLEARANCES FROM COMBUSTIBLES

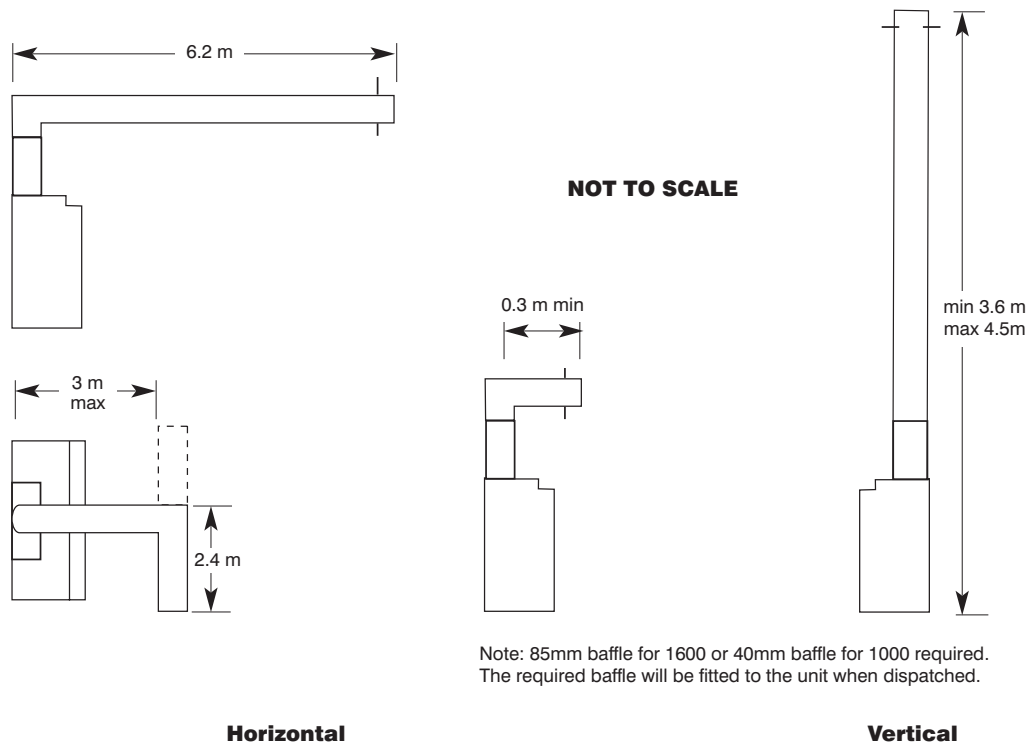
Floor	0 mm
Sides	50 mm
Top	100 mm
Flue Outer	50 mm
Front	25 mm
Back	25 mm

LANDSCAPE ZERO CLEARANCE MODEL (continued)

INSTALLATION OF VERTICAL & HORIZONTAL FLUING

Vertical terminations must be installed with the following clearances:

- Minimum of 500 mm from the nearest part of the roof (Measurement is taken from the bottom of the termination).
- Minimum of 1500 mm from any mechanical air inlet.
- Minimum of 500 mm from any building structure or obstruction facing the termination.
- Maximum vent height is 4.5 meters from the base of the unit.
- Minimum clearances 50mm from vent to all combustible materials must be maintained.



BALANCED FLUE TERMINATION LOCATION

This section is used to determine where your Balanced Flue termination will be located.:

- Flue terminations shall not be recessed in walls or sidings.
- **EXTREMELY IMPORTANT:** In heavy snow areas take extra care to prevent blocking flue termination with snow removal equipment.
- Flue gases exiting flue terminals are very hot and must not be restricted to assure fireplace combustion is not affected.
- Do not place, build any obstruction, plant any bushes or for any reason attempt to conceal the flue termination. To do so will affect the operation of the fireplace and may be hazardous.
- This unit must always vent directly to outdoors.

CAUTIONS AND REQUIREMENTS

All flueing must maintain a clearance of 50mm from combustible materials.

NOTE: It is imperative for satisfactory operation of the “Landscape” space heater that no flueing components be modified in any way. All components have been manufactured to eliminate the need for modification when properly selected and installed.

LANDSCAPE MODEL (continued)

Tests to be carried out by installer

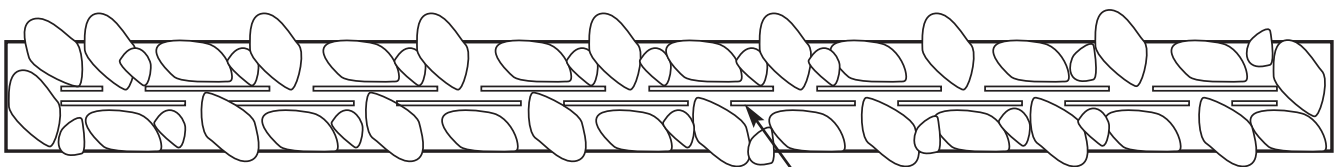
- Check unit for gas leaks.
- Ensure that both high and low pressures are set as per the appliance data plate on page 4. Refer to page 17 for adjustments and test pressure points
- Turn the unit on to ensure it operates correctly.
- Instruct the customer on the use of the remote control. Refer to remote control operating guide on pages 19, 20 and 21.

Set up for pebbles in Landscape 1000 and 1600 (Optional)

- PEBBLES ARE TO BE SET UP AS PER THE BELOW DRAWINGS.
- AT NO STAGE ARE THE PEBBLES TO BE PLACED OVER THE BURNER CUT OUTS, THIS IS CLEARLY SHOWN IN THE DRAWINGS.
- IF PEBBLES ARE PLACED OVER THE CUT OUTS THIS MAY CAUSE SLIGHT DAMAGE TO THE BURNER AND AS SUCH THE BURNER WILL **NOT** BE COVERED BY WARRANTY.

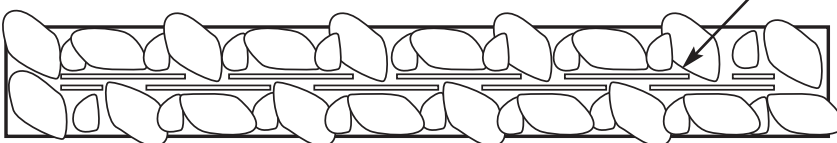
Landscape 1600 pebble configuration

32 large pebbles and 17 small pebbles



Landscape 1000 pebble configuration

20 large pebbles and 20 small pebbles



Pebbles must not be placed over burner cutouts

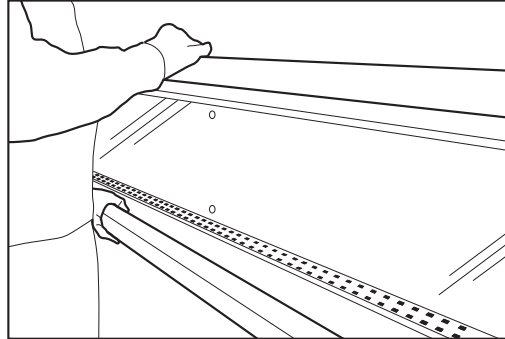
SERVICING AND MAINTENANCE

- To follow when servicing, removing fan or changing valve or control modules.

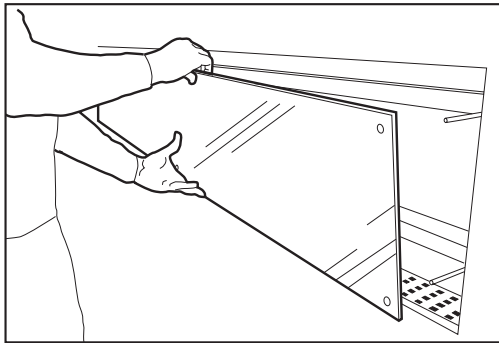
IMPORTANT: POWER MUST BE ISOLATED PRIOR TO CARRYING OUT THE SERVICE/MAINTENANCE.

SERVICE/MAINTENANCE ONLY TO BE CARRIED OUT BY AN AUTHORISED PERSON.

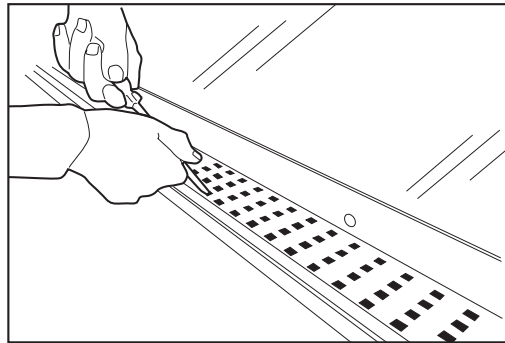
- DO NOT MODIFY THIS APPLIANCE



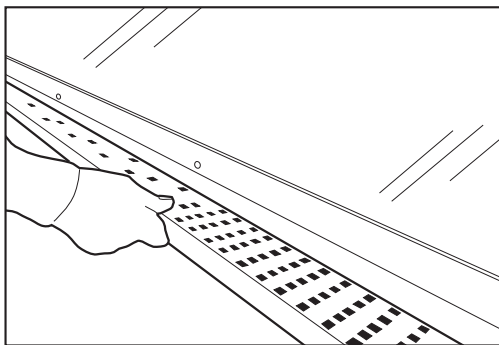
1. Remove the trim



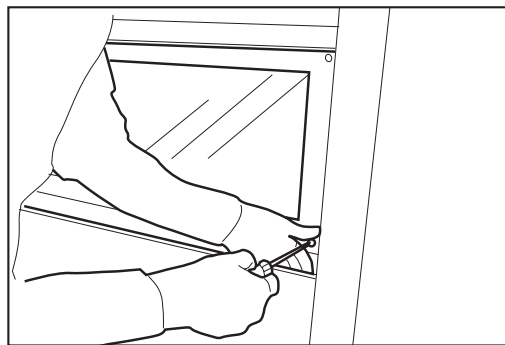
2. Remove front safety glass



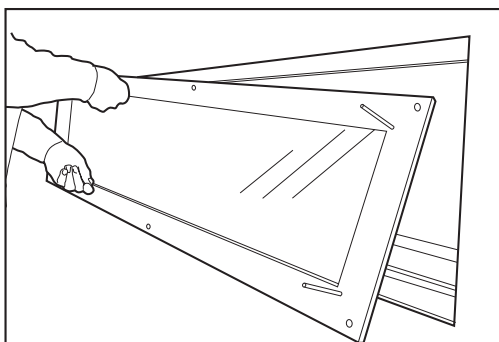
3. Prise up air intake panel



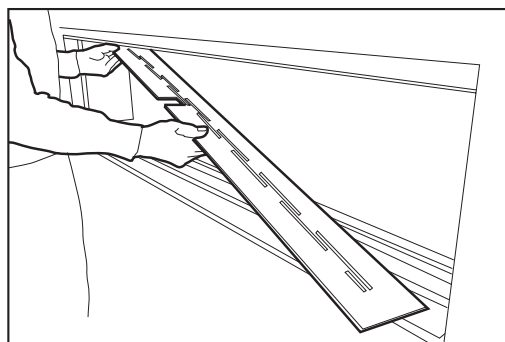
4. Lift out air intake panel



5. Unscrew rear glass door

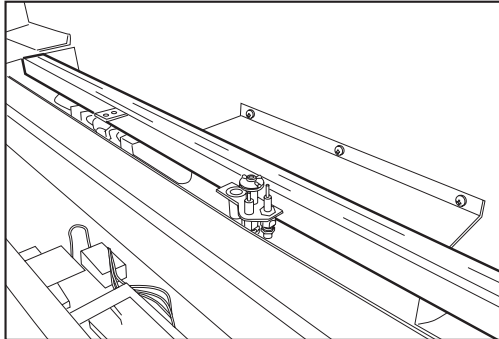


6. Lift out rear glass door

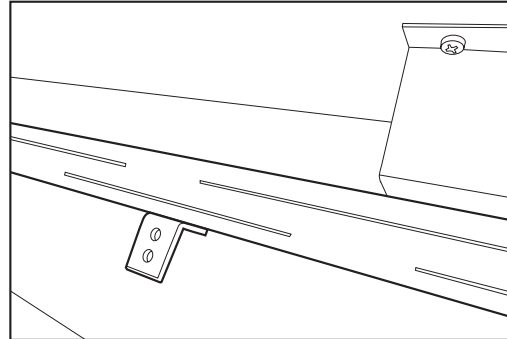


7. Remove burner top plate

SERVICING AND MAINTENANCE (continued)



8. Remove burner



9. Remove bottom of burner tray, fan is then exposed and may be serviced or removed

To service or change gas valve or control modules, the process is the same as steps 1 to 3.

- After carrying out service or replacing parts, reverse the above processes to reinstate the unit.
- Prior to lighting ensure there are no gas leaks.

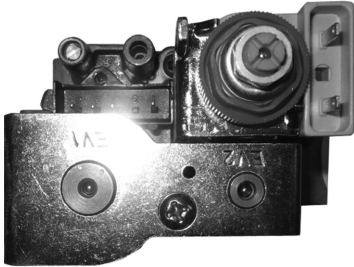
FOR YOUR SAFETY READ BEFORE LIGHTING

- Check the appliance for gas leaks
- Check that all electrical connections are secure
- Check that the power to the unit has been turned on

MAINTENANCE

It is recommended that you have your landscape installation inspected yearly including a visual check of the flue system and flame pattern.

PARTS LIST



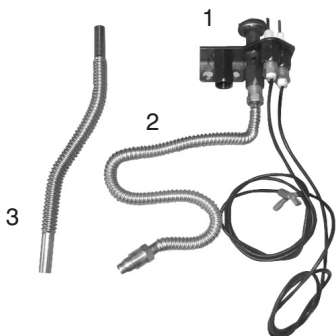
SIT 845 SIGMA GAS CONTROL VALVE



SIT 579 ELECTRONIC
FLAME CONTROL DEVICE



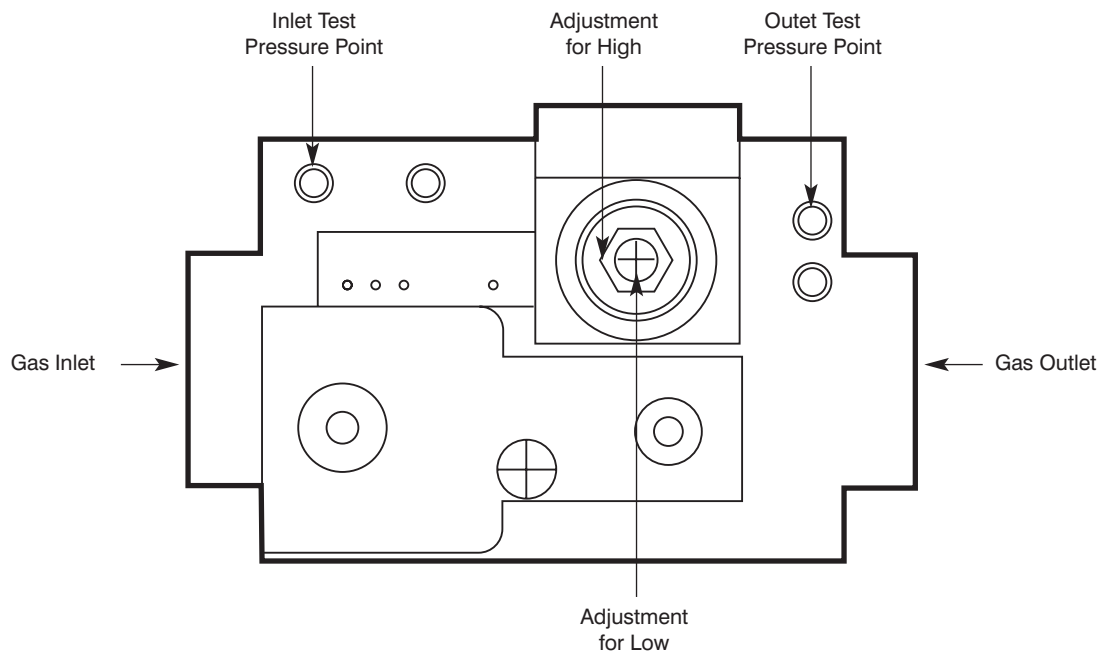
MILLENNIUM THERMOSTAT REMOTE
CONTROL SYSTEM



SIT PILOT ASSEMBLY

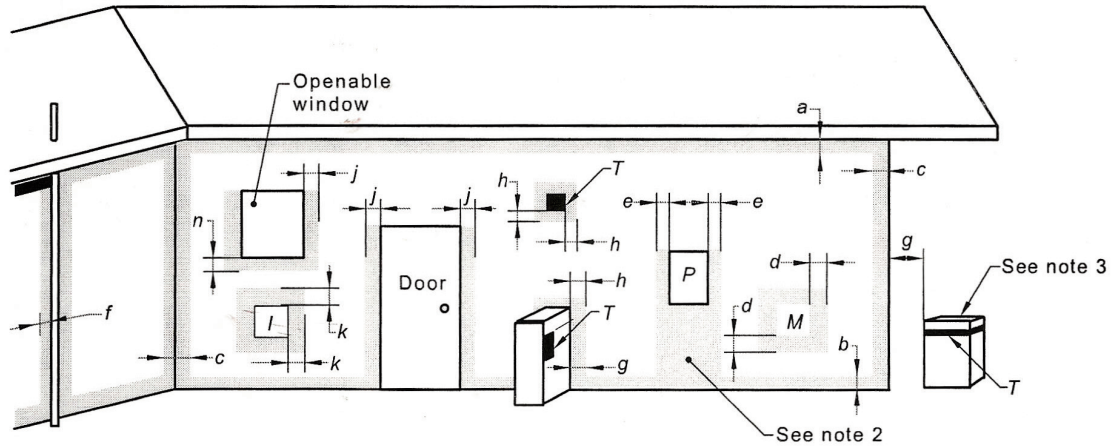
1. Pilot
2. Pilot Tube
3. Burner Tube

GAS CONTROL ASSEMBLY



LANDSCAPE FLUE TERMINATION (COWLS) REGULATIONS

Balanced Flue



LEGEND:

- T = Flue terminal
- I = Mechanical air inlet
- M = Gas meter
- P = Electricity meter or fuse box
- Shading indicates prohibited areas for flue terminals

Ref.	Item	Minimum clearances (mm)	
		Natural draft	Fan assisted
a	Below eaves, balconies and other projections:		
	• Appliances up to 50 MJ/h input	300	200
	• Appliances over 50 MJ/h input	500	300
b	From the ground, above a balcony or other surface †	300	300
c	From a return wall or external corner †	500	300
d	From a gas meter (M) (see 4.7.11 for vent terminal location of regulator)	1000	1000
e	From an electricity meter or fuse box (P)	500	500
f	From a drain pipe or soil pipe	150	75
g	Horizontally from any building structure † or obstruction facing a terminal	500	500
h	From any other flue terminal, cowl, or combustion air intake †	500	300
j	Horizontally from an openable window, door, non-mechanical air inlet, or any other opening into a building with the exception of sub-floor ventilation:		
	• Appliances up to 150 MJ/h input	500	300
	• Appliances over 150 MJ/h input up to 200 MJ/h input	1500	300
	• Appliances over 200 MJ/h input up to 250 MJ/h input †	1500	500
	• Appliances over 250 MJ/h input †	1500	1500
	• All fan-assisted flue appliances, in the direction of discharge	-	1500
k	From a mechanical air inlet, including a spa blower	1500	1000
n	Vertically below an openable window, non-mechanical air inlet, or any other opening into a building with the exception of sub-floor ventilation:		
	• Space heaters up to 50 MJ/h input	150	150
	• Other appliances up to 50 MJ/h input	500	500
	• Appliances over 50 MJ/h input and up to 150 MJ/h input	1000	1000
	• Appliances over 150 MJ/h input	1500	1500

† Unless appliance is certified for closer installation

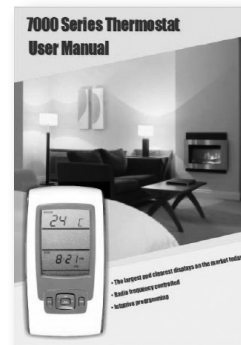
NOTES:

- 1 All distances are measured to the nearest part of the terminal.
- 2 Prohibited area below electricity meter or fuse box extends to ground level.
- 3 See Clause 5.13.6.6 for restrictions on a flue terminal under a covered area.
- 4 See Appendix J, Figures J2(a) and J3(a), for clearances required from a flue terminal to an LP Gas cylinder. A flue terminal is considered to be a source of ignition.
- 5 For appliances not addressed above acceptance should be obtained from the technical regulator

REMOTE CONTROL OPERATING GUIDE

PLEASE REFER TO THE MILLENNIUM 7000 SERIES MANUAL ON OUR WEBSITE SHOULD YOU REQUIRE FURTHER DETAIL.

To assist service technicians who may not have access to this manual, the following is an abbreviated operating procedure. This should be read before servicing commences.



The Landscape 1000 & 1600 are controlled completely by the use of the remote control; this remote can be used either as a manual operation or an auto operation.

- The remote thermostat uses radio frequency to transmit to the gas/fan controller.
- The remote thermostat has a LCD display
- The remote thermostat uses 2 off "AA" batteries which should last for 12 months. (Depending on quality of battery.) Batteries should be changed when smoke alarms are changed.
- The remote control and the controller are non-serviceable parts and if faulty should be returned to Real Flame Pty Ltd for replacement.

Locating the remote

The remote houses the thermostat that controls the heat output of the fire. When storing the remote either on its wall bracket or by placing it somewhere in the room where the fire is located, ensure there are no other heat sources that will affect the thermostats ability to accurately read the room temperature. For example, by placing the remote in direct sunlight or under a cushion, the fire may turn down or off before the room reaches the set temperature.

Factory Set Features

- When turned on the fire will always start on the low setting and remain on low for 3 minutes, it will then go to the high setting.
- The fan will automatically come on in the high mode after the fire has been operating for 3 minutes 20 seconds.
- When the fire shuts off on auto mode or is shut off in manual mode, the fan will continue to operate for 3 minutes in the "High" mode.
- The fire can be operated in either "Auto" mode or "Manual" mode.

Setting the day and time

- Before changing settings the heater must be OFF. When in the OFF mode the only display shown on the remote is the room temperature and the time.
- To set the time press <T>, the hour will flash, set the correct hour by using the <UP> and <DOWN> button. When set, press <OK> to confirm.
- When the <OK> button is pushed the minutes will flash, again by using the <UP> and <DOWN> buttons set the correct minutes and then push the <OK> button.
- When the <OK> button is pushed the day will flash, again by using the <UP> and <DOWN> buttons set the correct day and then push the <OK> button.
- Your remote will now display the correct day and time.

To change settings

- The remote must be in the OFF mode to change settings. NOTE: Each of the 3 setting modes must be completed within 2 seconds.

To change between Degrees C to Degrees F

- Press in sequence <P>, <T>, <T>, <A/M>

To restore factory setting

- Press in sequence <P>, <T>, <T>, <DOWN>

REMOTE CONTROL OPERATING GUIDE (continued)

Teaching RF code

- Ensure the power to the heater is turned off.
- Press in sequence <P>, <T>, <T>, <UP>
- The LCD display will show “CL” (Code Learn) for 2 seconds then return to the normal OFF state display.
- During this time a special code will be transmitted by the RF thermostat to the control unit, causing the control unit to learn its ID.
- CAUTION: The thermostat has already been programmed with a unique code. Do not attempt to teach the RF thermostat ID code unless instructed by the manufacturer.

To program

- Press <P>
- “PD” will appear at the top of the display screen. And “MO” will flash.
- Press <OK>
- Time will flash and “P1” will appear in the screen.
- Set wake up time and press <OK> to confirm.
- Set temperature required and press <OK> to confirm.
- Repeat above steps for remaining “P2” (Away), “P3” (Coming Home) and “P4” (Sleep) programs.
- Repeat all of the above for each day.

When setting the programs have the remote near the unit to ensure the remote can communicate with the control (Located in the bottom of the heater.)

The Landscape will operate through the remote either in Manual Mode or Auto Mode, below is a sample of each:

Example of Manual Operation

Set the thermostat to desired Set temperature e.g. 26°C.

- The flame will start on low, with the fan off.
- After 3 minutes, the flame changes to the High setting, if the temperature is 23.5°C or lower. The fan will switch on High 3 minutes and 20 seconds after the flame is lit.
- As the temperature rises above 23.5°C, the modulating valve will decrease the gas level one step every 0.5° above 23.5°. The fan will continue to operate on High.
- When the room temperature reaches 26.5°C, the modulating valve will operate at its lowest setting. The fan will switch to Low speed.
- If the room temperature were to rise above 29°C, the flame will be extinguished. The fan will run on for another 3 minutes on High before shutting down.
- If the room temperature then drops down to 26° or lower, the flame will again be lit, and then the fan will begin after the flame-on delay.

REMOTE CONTROL OPERATING GUIDE (continued)

In Auto mode, the RF thermostat will control the flame and the fan according to the programmed times and temperature. The flame can be programmed to turn on or off, or change the required temperature.

The switch off and on sequence operate as per manual operation, detailed above.

Example of Auto Operation

Set the thermostat to Monday;

Turn off at 8.00 am and set temperature of 25°C;

Lower temperature at 9.00 am with set temperature at 15°C.

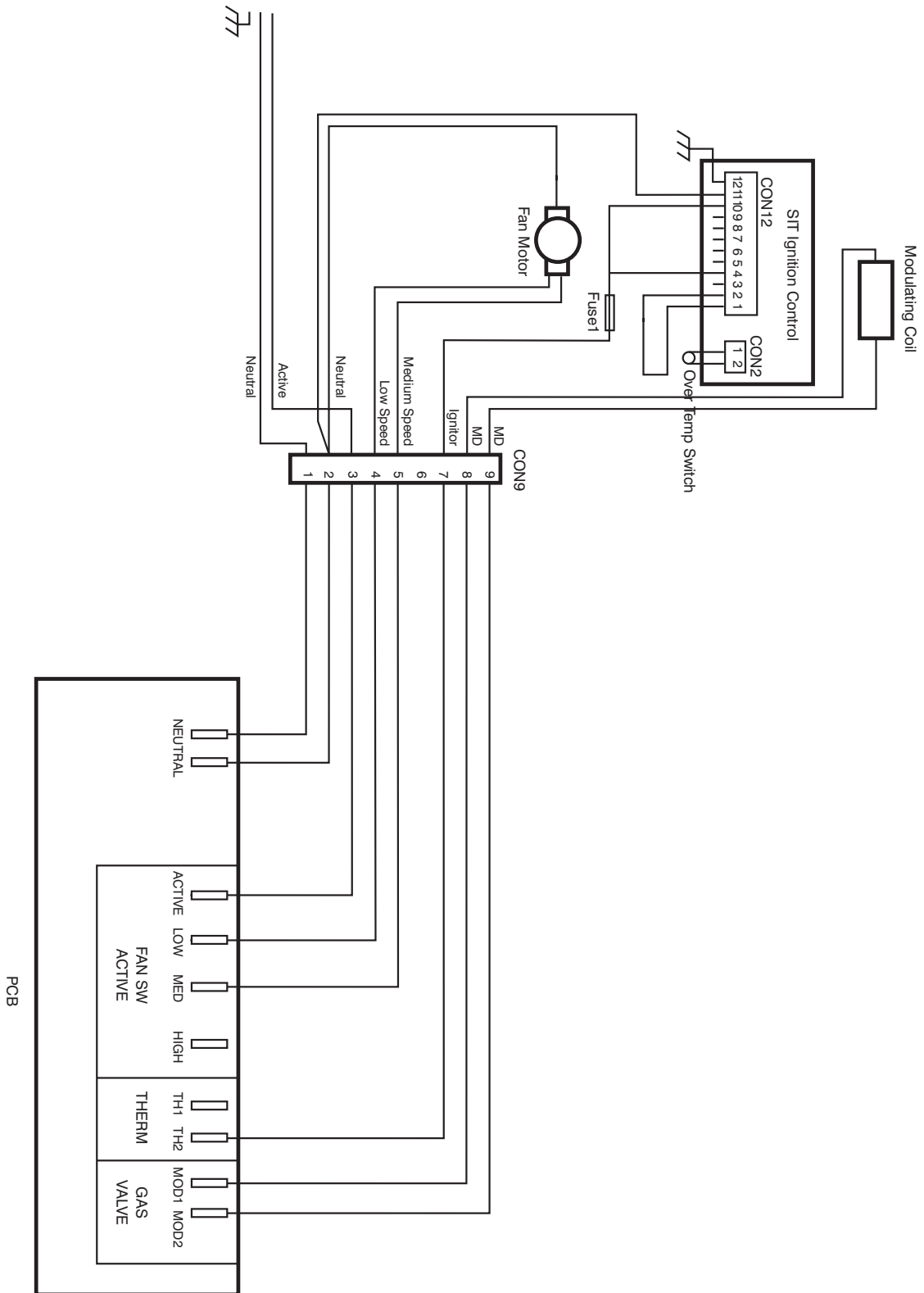
- At 8.00 am on Monday, the flame will start on Low, with fan off (if flame was already off)
- After 3 minutes, the flame changes to highest setting, if room temperature is 22.5° or lower. The fan will switch on High after 3 minutes and 20 seconds after the flame was lit.
- As the temperature rises above 22.5°, the modulating valve will decrease the gas level one step for every 0.5° above 22.5°. The fan will continue to operate on High.
- When the room temperature reaches 22.5°, the modulating valve will operate at its lowest setting. The fan will switch to Low speed. The flame will remain lit as long as the room temperature is 28° or lower.
- If the room temperature were to rise above 28°, the flame will be extinguished. The fan will run for further 3 minutes on High before shutting down.
- If the room temperature then drops down to 25° or lower, the flame will again be lit, and the fan will begin after the flame-on delay.
- At 9.00 am on Monday, the required room temperature is now only 15°C.
- If the room temperature is above 18°, then the flame will be extinguished, with the fan operating for a further 3 minutes.
- If however the room temperature were to be below 18° for whatever reason, the flame would remain on together with the fan. The level of the flame, or speed of the fan, will depend how far below the 18° is the room temperature.

WARNING

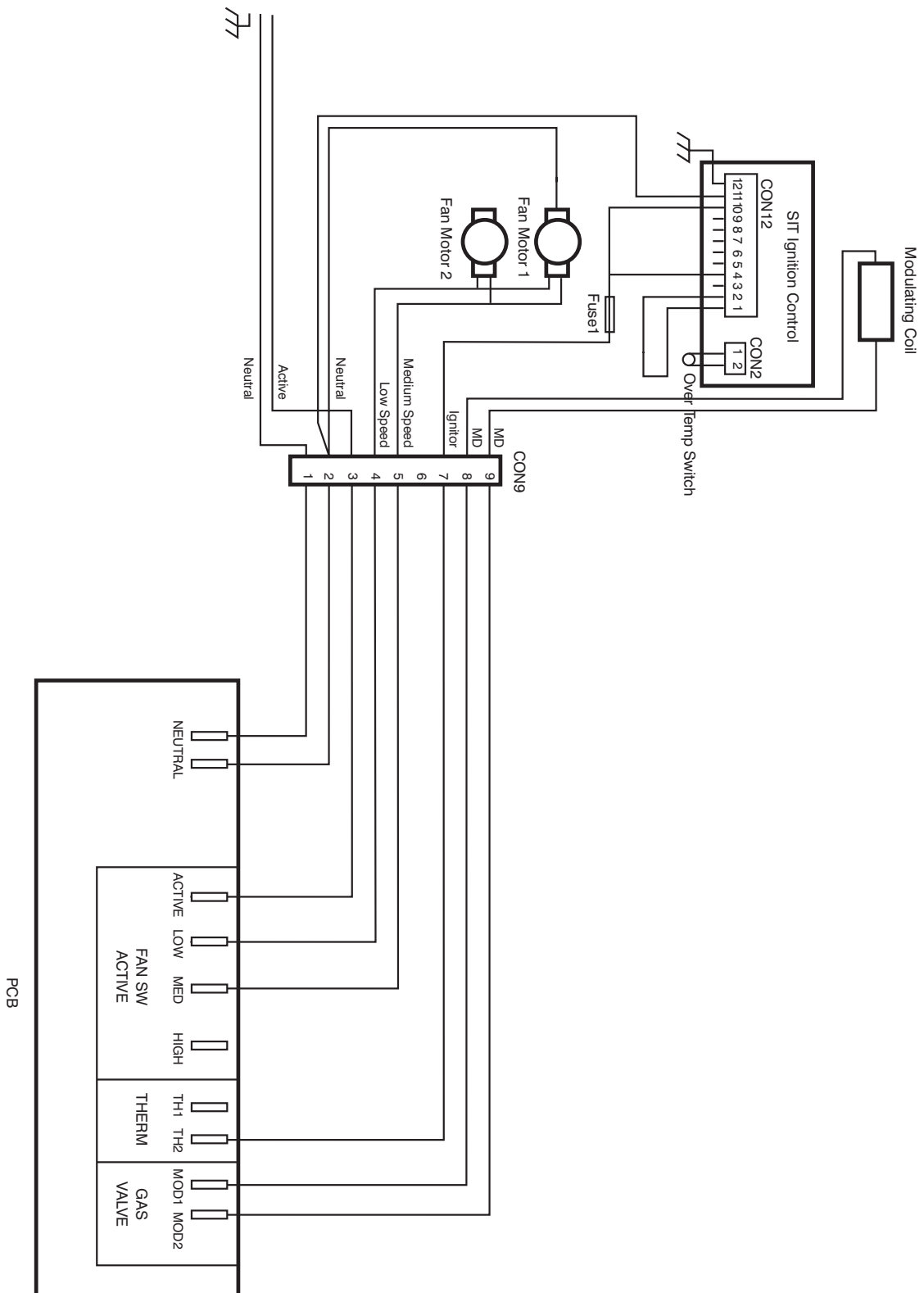
When the RF thermostat is in the “Auto” mode and the room temperature drops below the minimum temperature, the fire and fan will come on and operate until the room temperature is 3° above the minimum and then turn off, therefore:

- The minimum temperature should be set at a temperature that is not likely to cause the fire to continually turn on and off.
- If leaving the house for an extended period, the RF thermostat should be turned “OFF”.
- As long as the RF thermostat is in the “Auto” mode and the temperature goes below the minimum set temperature, the fire will come on no matter what times are programmed into the thermostat.
- If you are unsure of the operation of the RF thermostat, please contact the manufacturer.

ELECTRICAL DIAGRAM - Landscape 1000



ELECTRICAL DIAGRAM - Landscape 1600



TROUBLESHOOTING FOR LANDSCAPE

Problem	Possible Cause	Suggested Remedy
When the remote is activated nothing happens	The remote is not talking to the receiver.	Reprogramme the remote to the receiver (Refer Millennium manual in installation manual).
	The remote batteries are flat.	Replace the batteries.
The fire cuts off and won't relight	The over temp snap disc has been activated.	Allow the fire to cool down and then try to relight the fire. If the fire fails to relight, contact the manufacturer.
The fan will not come on	Possible caused by overheat or electrical fault.	Contact the manufacturer.
Flame appears to be low	Pressure not set.	All pressures are set in the factory at the time of manufacture, however the installing plumber must make sure the pressures are correct.

**IF YOUR LANDSCAPE FIREPLACE STILL DOES NOT OPERATE CORRECTLY CONSULT YOUR DEALER.
 ALL SERVICE AND REPAIRS SHOULD BE PERFORMED BY AN AUTHORISED AGENCY.
 ALL SPARE PARTS AND OPTIONAL TRIM FINISHES ARE AVAILABLE FROM REAL FLAME PTY LTD.**



real flame
the hearth of australia

REAL FLAME PTY LTD

ABN 76 006 311 155

Head Office/Factory/Showroom

1340 Ferntree Gully Rd.
Scoresby Vic 3179
Ph: (03) 8706 2000 Fax: (03) 8706 2001
E-mail: info@realflame.com.au

Richmond - VIC Showroom

300 Swan St.
Richmond Vic 3121
Ph: (03) 9428 4443 Fax: (03) 9428 4445

Dandenong - VIC Showroom

9 Lonsdale St.
Dandenong Vic 3175
Ph: (03) 9791 9285 Fax: (03) 9791 9662

Geelong - VIC Showroom

1/2A Gordon Avenue.
Geelong West Vic 3218
Ph/Fax: 5229 0844
E-mail: realflamegeelong@hotmail.com.au

Sydney - NSW Showroom

654 Pacific Highway.
Chatswood NSW 2067
Ph: (02) 8905 0189 Fax: (02) 8905 0192
E-mail: info@realflame.com.au

Miranda - NSW Showroom

36 Kareena Rd
Miranda NSW 2228
Ph: (02) 8513 6202 Fax: (02) 9520 1974
E-mail: paul@realflamemiranda.com.au

Adelaide - SA Showroom

173 -175 Magill Rd.
Norwood SA 5067
Ph: (08) 8132 0371 Fax: (08) 8132 1687
E-mail: realflamesa@iprimus.com.au

Miton - QLD Showroom

46 Douglas St,
Milton QLD 4064
Ph: (07) 3368 2011

Perth - WA Showroom

47-53 McDonald St East,
Osborne Park WA 6017
Ph: (08) 9444 9900 Fax: (08) 9444 9800

Fyshwick - ACT Showroom

88 Wollongong St,
Fyshwick ACT 2609
Ph: (02) 6280 5522