

# Masport<sup>®</sup> Heating

## INSERT & INBUILT WOOD FIRES

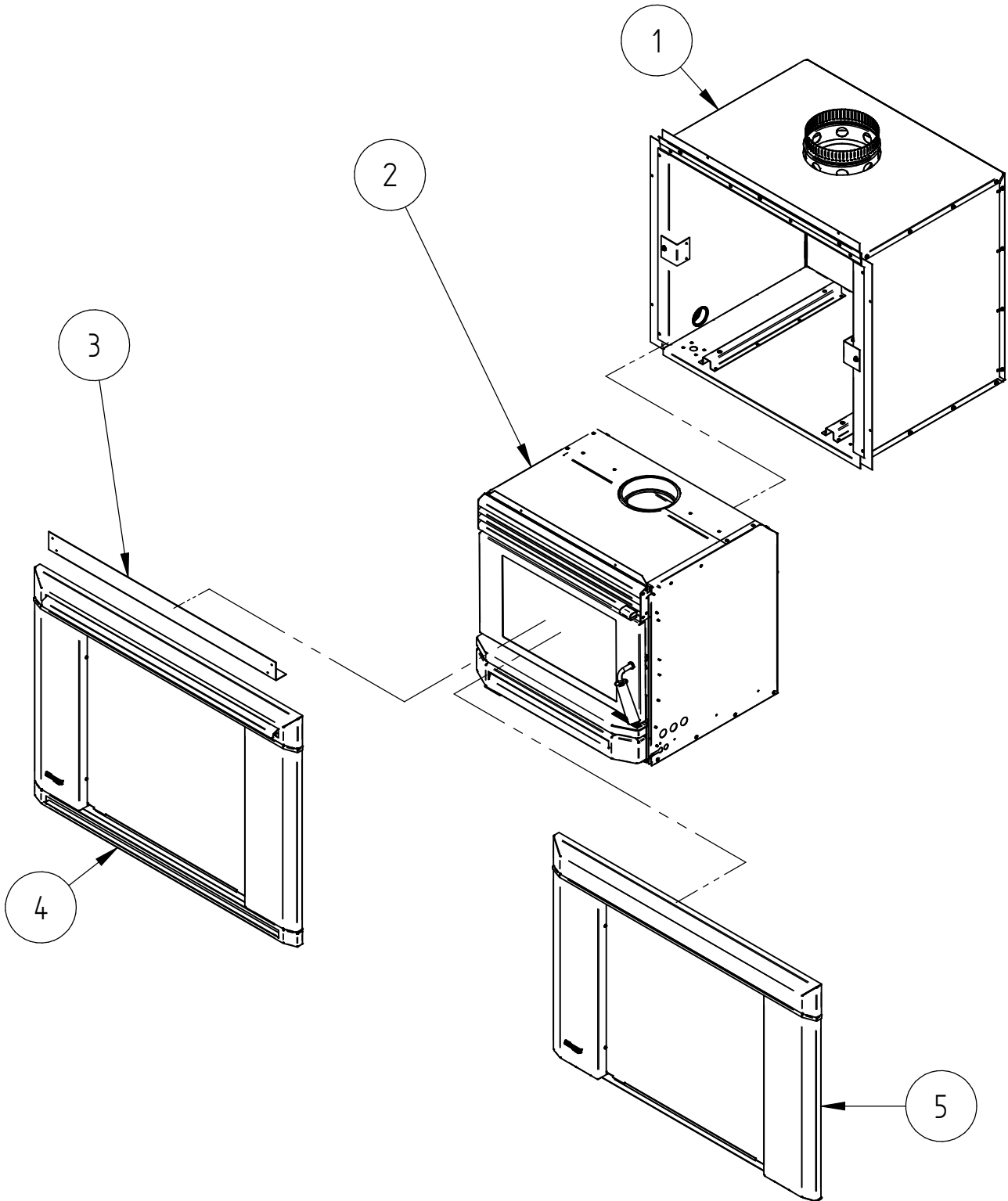
### LE7000 PROVINCIAL - AUSTRALIA

DESCRIPTION	ITEM NO.	MARKET	FUEL TYPE	FINISH	YEAR	FAN
Fire Box	995989	AU	HARDWOOD	-NA.-	JUN-2005	YES
Fascia	995992			Metalllic Black VHT Paint		-NA.-
ZC Fascia	995995					
ZC box	995965			-NA.-		

KIT CODE	DESCRIPTION	CONTENTS
MAW2061	LE7000 PROV Black VHT Insert	995989 + 995992
MAW2064	LE7000 PROV Black VHT Z/C	995989 + 995995 + 995965



# OVER ALL SCHEMATIC FOR LE7000 (AU) MASONRY & INBUILT / ZC COMPONENTS

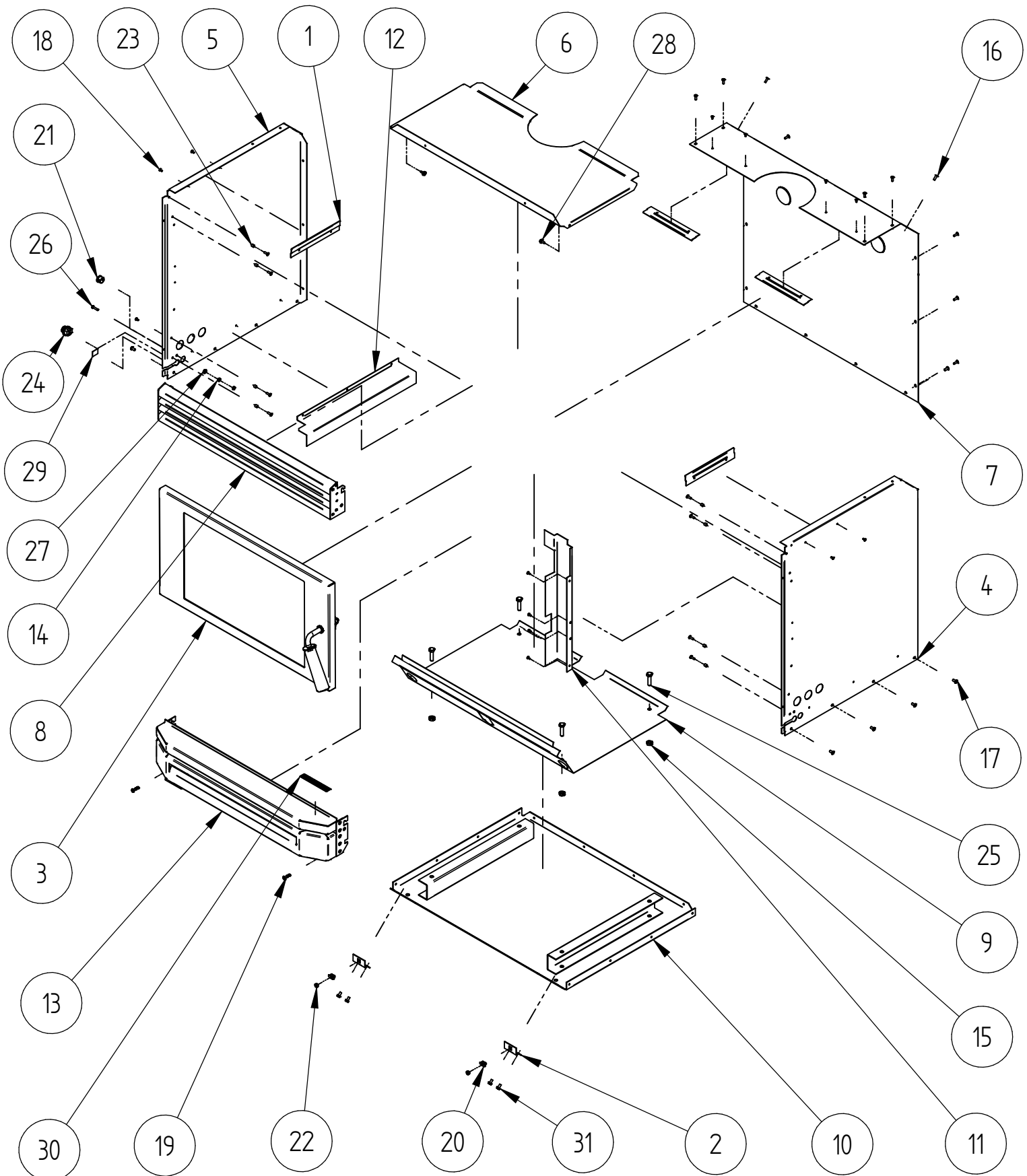


When ordering PLEASE QUOTE PART ID along with Finish Suffix (if applicable)

FASCIA AND ZERO CLEARANCE BOX				
Item	Part ID	Model(s)	Description	Qty
		993989		
1	995965	-	ZERO CLEARANCE BOX LE7000 PRO	1
2	995989	-	W/F LE7000 PROV S3 INB 05 BLK VHT	1
3	995181	-	SUPPORT-ANGLE, ZC KT LE7 PRO	1
4	995995	-	FASCIA LE7000 PROV Z/C BLK VHT	1
5	995992	-	FASCIA LE7000 PROV BEV BLK VHT	1

When ordering PLEASE QUOTE PART ID along with Finish Suffix (if applicable)

## PANELS, DOOR AND PEDESTAL

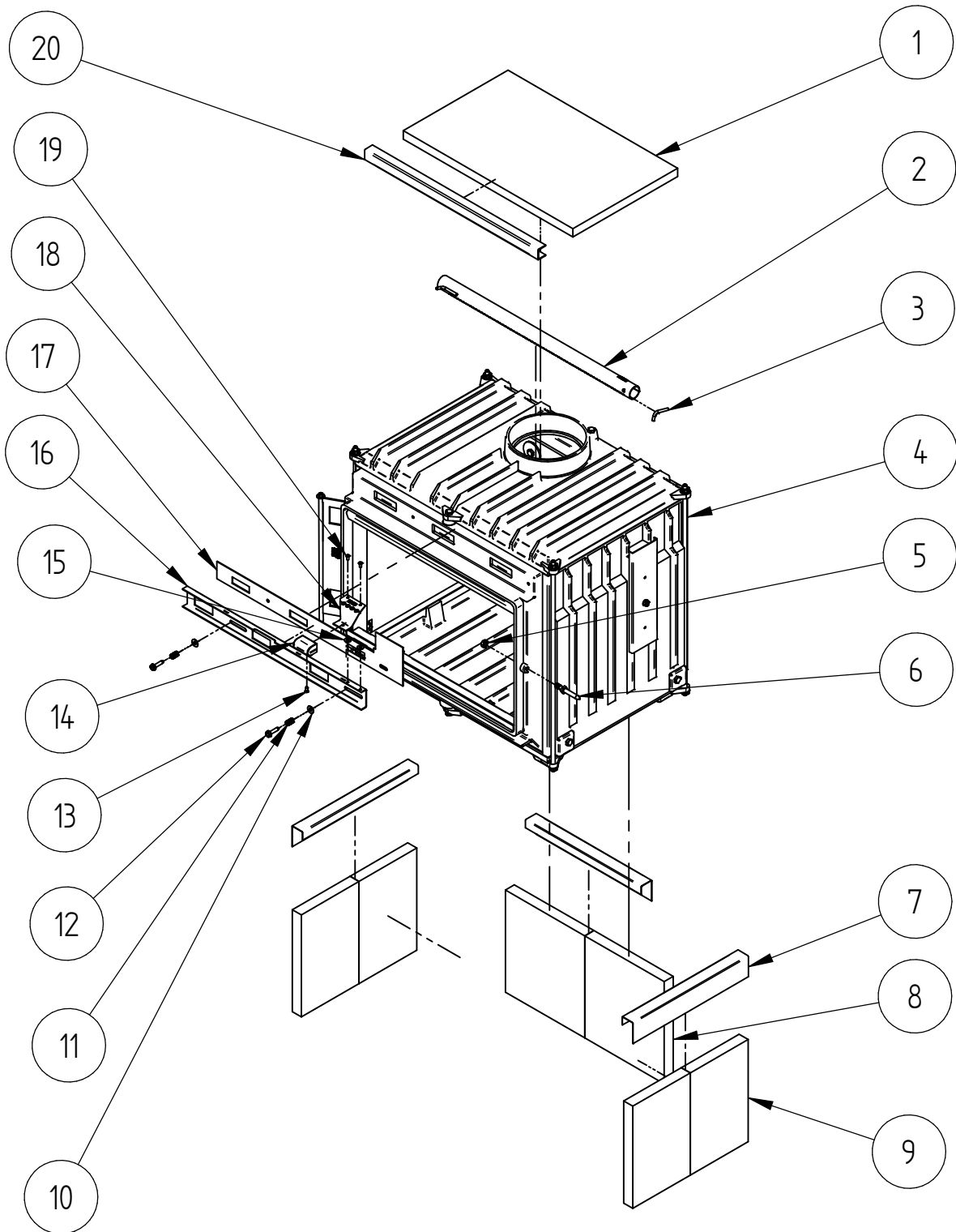


When ordering PLEASE QUOTE PART ID along with Finish Suffix (if applicable)

PANELS, DOOR AND PEDESTAL				
Item	Part ID	Model(s)	Description	Qty
		995989		
1	986514	-	CASE OUTER, GUIDE RAIL LE	4
2	990281	-	PLATE LATCH LOUVRE INBUILT	2
3	993282	-	LE7 PROV MET BLK VHT	1
4	995116	-	CASE OUTER, SIDE RH LE7-PROV	1
5	995117	-	CASE OUTER, SIDE LH LE7-PROV	1
6	995118	-	CASE OUTER, TOP LE7 PROV	1
7	995119	-	CASE OUTER, REAR LE7 PROV	1
8	995193	V02	LE7000 TOP LOUVRE GRILL ASSY	1
9	995140	-	Heatshield Bottom LE7 PROV S3	1
10	995147	-	BASE ASSEMBLY	1
11	995148	-	HEATSHIELD - KNOB LE7 PROV S3	1
12	995150	-	Cable Tunner, LE7 PROV S3	1
13	995780	V02	FAN BOX ASSY COMPLETE LE7 PROV	1
14	522103	-	NUT; HEX STD M4 ST	2
15	522118	-	NUT; HEX STD M8 ZP	4
16	524006	-	RIVET; 73 AS 5-5	20
17	524007	-	RIVET; 73 AS 6-3	12
18	524008	-	RIVET; 73 MS 4-2	15
19	527900	-	STUD; DZUSSZ 5 265-716-190 BLK	2
20	529100	-	RECEPTACLE; BLK DZUSSZ5 285-102161	2
21	529400	-	GROMMET; PLASTIC 22-PLB16	1
22	529404	-	GROMMET; DZUSSZE 5 275-040-400	2
23	586148	-	SPACER-GRILLE - BLUE FINISH	8
24	529201	-	CLAMP; CABLE 16 LITTLE GRIPPER	1
25	521068	-	SCREW; M8X30 HEX ZP	4
26	521015	-	SCREW; M4X16 PAN SLOT ZP	1
27	523205	-	WASHER; STAR M4 EXT	1
28	521643	-	SCREW; S/T 8GX1/2" HEX POZI BLK	2
29	585631	-	DECAL EARTH	1
30	595695	-	DECAL "BURN ONLY" COMBINED NZ/AUS	1
31	521620	-	SCREW; S/T 10GX3/8" HEX FLANGE SLOT BLK	4

When ordering PLEASE QUOTE PART ID along with Finish Suffix (if applicable)

# AIRSLIDE, BAFFLE, BRICKS AND FIREBOX (Pre-2012)

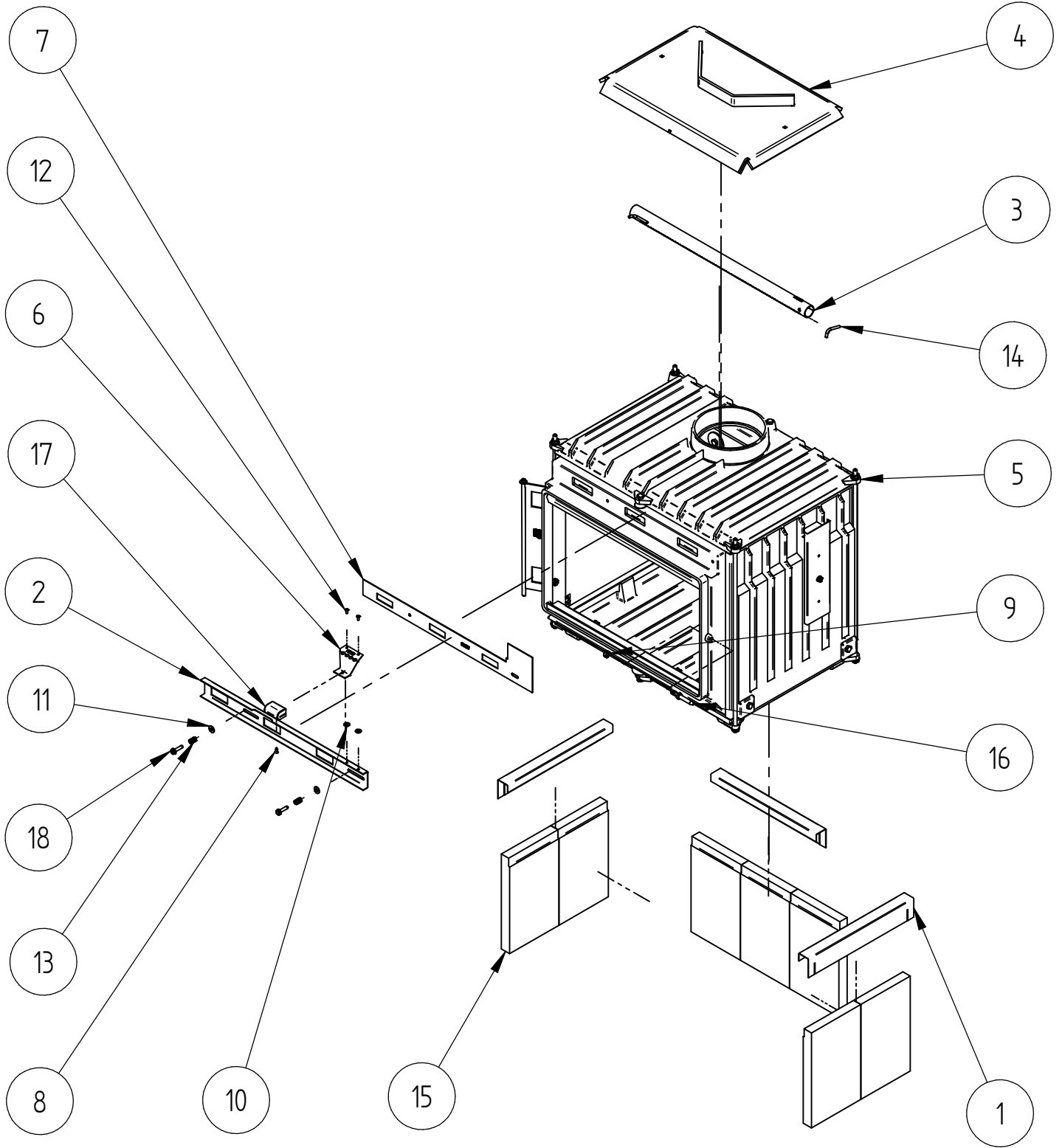


When ordering PLEASE QUOTE PART ID along with Finish Suffix (if applicable)

AIRSLIDE, BAFFLE, BRICKS AND FIREBOX (Pre-2012)				
Item	Part ID	Model(s)	Description	Qty
		995989		
1	587109	-	BOARD- F/B, TOP,PROMATECT 20X290X470	1
2	993239	-	TUBE-SEC AIR,66X3.5 LE7 S/S	1
3	586439	-	PIN-RETAINING SEC'AIR TUBE	1
4	993268	-	F/B ASSY LE7000 PROV	1
5	522118	-	NUT; HEX STD M8 ZP	1
6	595567	-	PIN-DOOR LATCH W/F INB BZP	1
7	987146	-	CHANNEL-BRICK RETAINER LE7 S/S	3
8	587112	-	BRICK-FIRE BACK LE 25X220X245	2
9	587145	-	BRICK-FIRE SIDE 25X160X250	4
10	523007	-	WASHER; FLAT 1/4"X5/8"X0.049" ZP	2
11	585223	-	SPRING-COMPRESSION AIR INLET	2
12	987841	-	SCREW; S/T M6X25 HEX FLANGE TAPTITE	2
13	521642	-	SCREW; S/T 8GX1/2" CSK POZI ZP	1
14	522118	-	KNOB-AIR CONTROL,PRINT W/F	1
15	523000	-	WASHER; FLAT 3/16"X1/2"X18G ZP	2
16	987155	-	SLIDE AIR INLET 20X50 3 RECT LE7	1
17	995682	-	PLATE BACK METER LE7	1
18	995153	-	EXTENSION AIRSLIDE LE7 PR S3	1
19	524011	-	RIVET; 73 MS 5-3	2
20	993048	-	CHANNEL-BAFFLE REINFORCER S/S	1

When ordering PLEASE QUOTE PART ID along with Finish Suffix (if applicable)

# AIRSLIDE, BAFFLE, BRICKS AND FIREBOX (2012 Onwards)



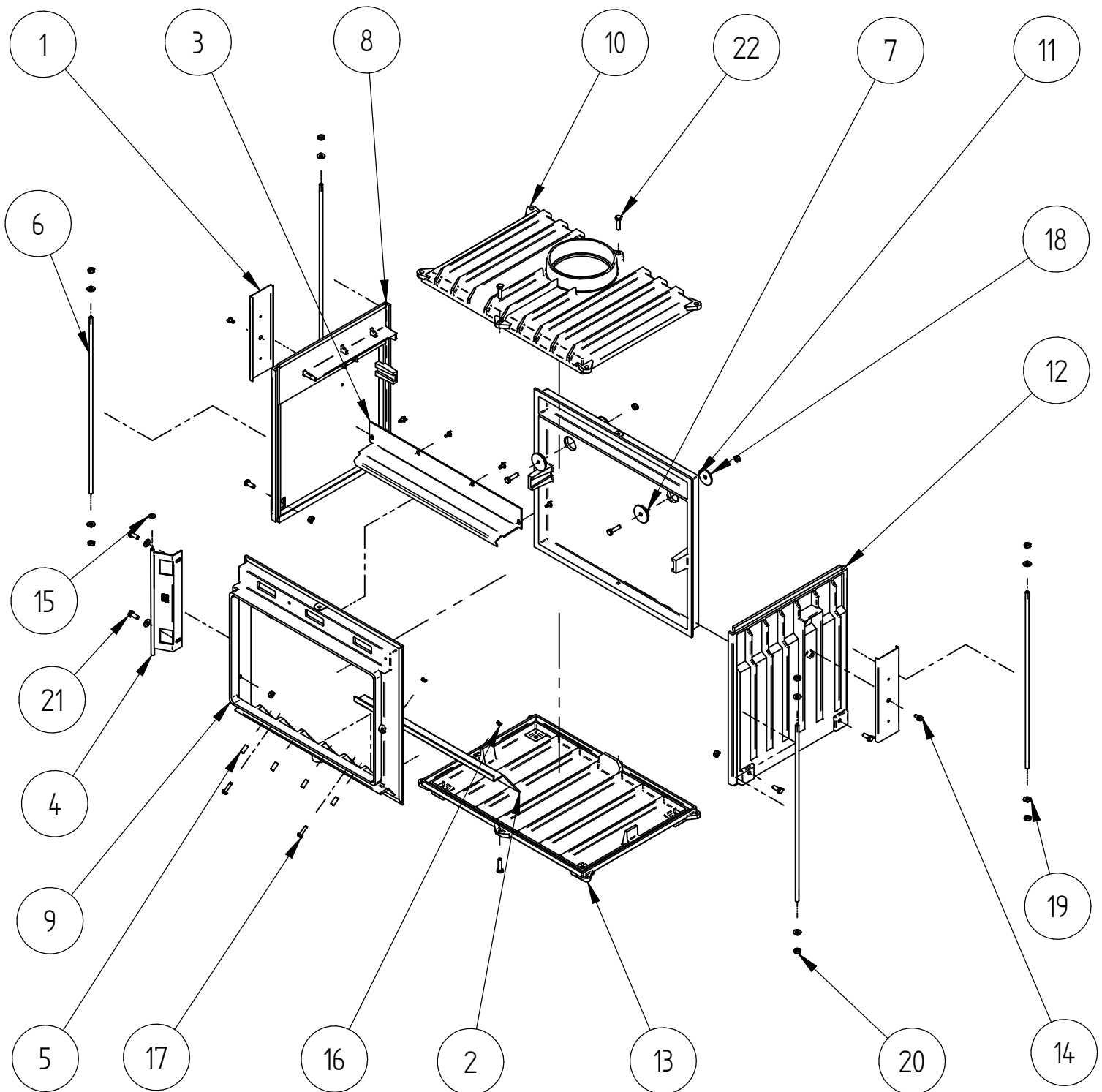
When ordering PLEASE QUOTE PART ID along with Finish Suffix (if applicable)



AIRSLIDE, BAFFLE, BRICKS AND FIREBOX (2012 Onwards)				
Item	Part ID	Model(s)	Description	Qty
		995989		
1	987146	-	CHANNEL - BRICK RETAINER LE7000	3
2	987155	-	SLIDE - AIR INLET 20 X 50 3 RECT.	1
3	987591	-	TUBE-SEC AIR,65X3.5 LE7/TO S/S	1
4	993436	-	BAFFLE ASSY STL F7000	1
5	993268	-	F/B ASSY LE7000 PROV	1
6	995153	-	EXT'N SLIDE AIR LE7 PROV S3	1
7	995682	-	PLATE METERING 'Y' LE7 PROV	1
8	521642	-	SCREW; S/T 8GX1/2" CSK POZI ZP	1
9	522118	-	NUT; HEX STD M8 ZP	1
10	523000	-	WASHER; FLAT 3/16"X1/2"X18G ZP	2
11	523007	-	WASHER; FLAT 1/4"X5/8"X0.049" ZP	2
12	524011	-	RIVET; 73 MS 5-3	2
13	585223	-	SPRING-COMPRESSIONAIR INLET	2
14	586439	-	PIN-RETAINING SEC'AIR TUBE	1
15	MIC00354	-	MIC BRICK	7
16	595657	-	PIN-DOOR LATCH W/F INB	1
17	986162	-	KNOB-AIR CONTROL WOODFIRE	1
18	521633	-	SCREW; S/T M6X25 HEX FLANGE TAPTITE	2

When ordering PLEASE QUOTE PART ID along with Finish Suffix (if applicable)

## FIREBOX DETAILS

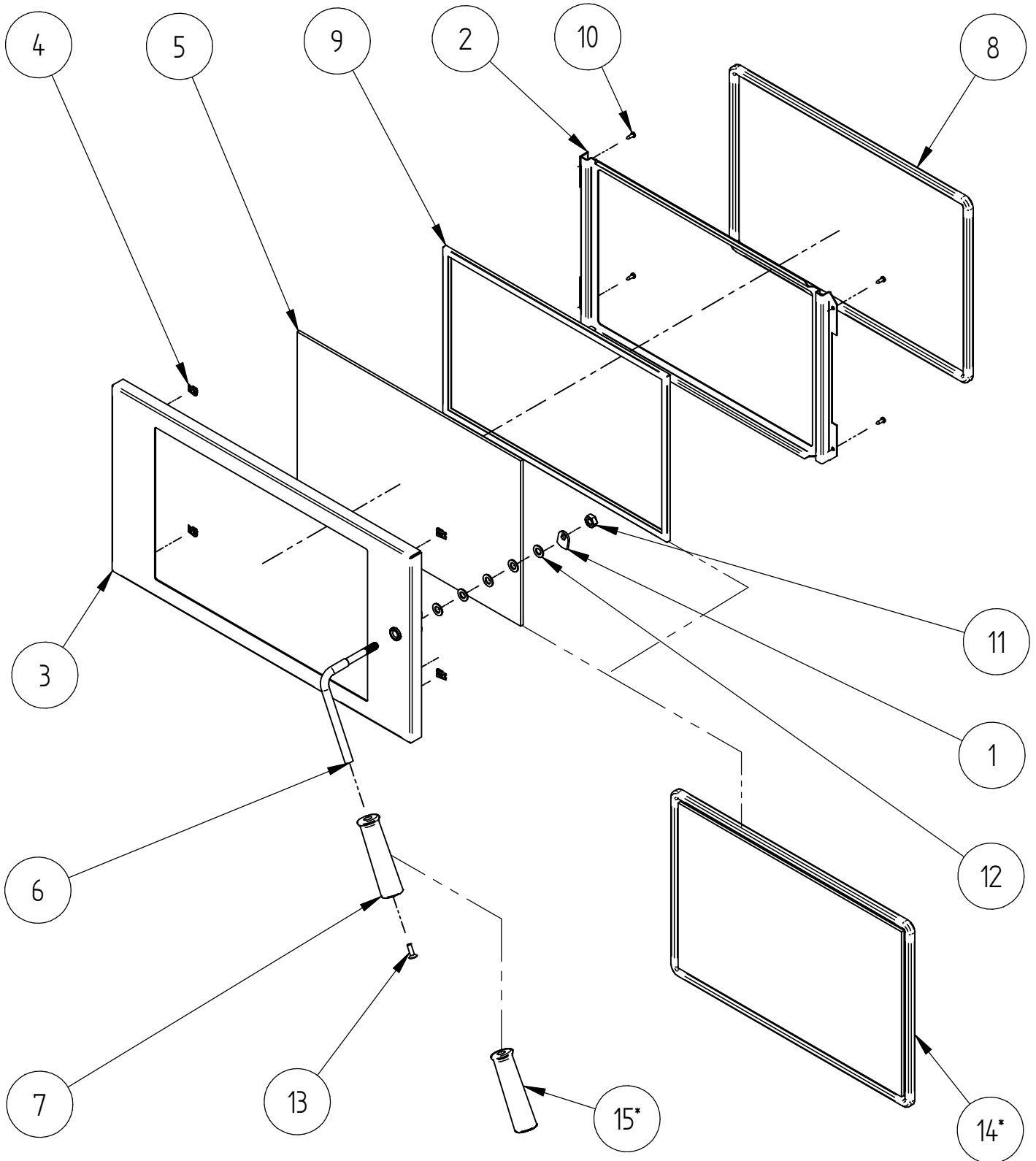


When ordering PLEASE QUOTE PART ID along with Finish Suffix (if applicable)

FIREBOX ASSEMBLY: 993268				
Item	Part ID	Model(s)	Description	Qty
		995989		
1	986146	-	COVER - SECONDARY AIR	2
2	986720	-	PLATE - BASE INNER LE7000 / I-9000	1
3	987138	-	DEFLECTOR - PRIMARY AIR	1
4	995115	-	HINGE ASSY LE7 PROV S3	1
5	525007	-	PIN; TENSION 8X20 BLK BISSELL 001791	4
6	587108	-	ROD; TIE M8X 510	4
7	684089	-	PLUG, 34DIAPITTS/FATSO/WFIRE	2
8	687100	-	F/B SIDE LH LE7&PROV/CLRDO/TOR	1
9	687101	-	F/B FRONT LE7 - SET 5	1
10	687102	-	F/B TOP LE 7000/PROVINCIAL	1
11	687103	-	F/B BACK LE7&PR/CLRDO/GDVW/TOR	1
12	687107	-	F/B SIDE RH LE7&PROV/CLRDO/TOR	1
13	695139	-	F/B BOTTOM LE7 PROV S3	1
14	521601	-	SCREW; S/T 1/4"X1/2" HEX FLANGE ZP	6
15	523019	-	WASHER; FLAT 5/16"X5/8"X16G ZP	1
16	522117	-	NUT; HEX STD M6 ZP	2
17	521633	-	SCREW; S/T M6X25 HEX FLANGE TAPTITE	2
18	523035	-	WASHER; FLAT M8X22X3 HVY ZP	2
19	523034	-	WASHER; FLAT M8X19X1.6 ZP	10
20	522118	-	NUT; HEX STD M8 ZP	16
21	521066	-	SCREW; M8X20 HEX ZP	6
22	521068	-	SCREW; M8X30 HEX ZP	6

When ordering PLEASE QUOTE PART ID along with Finish Suffix (if applicable)

# DOOR ASSEMBLY

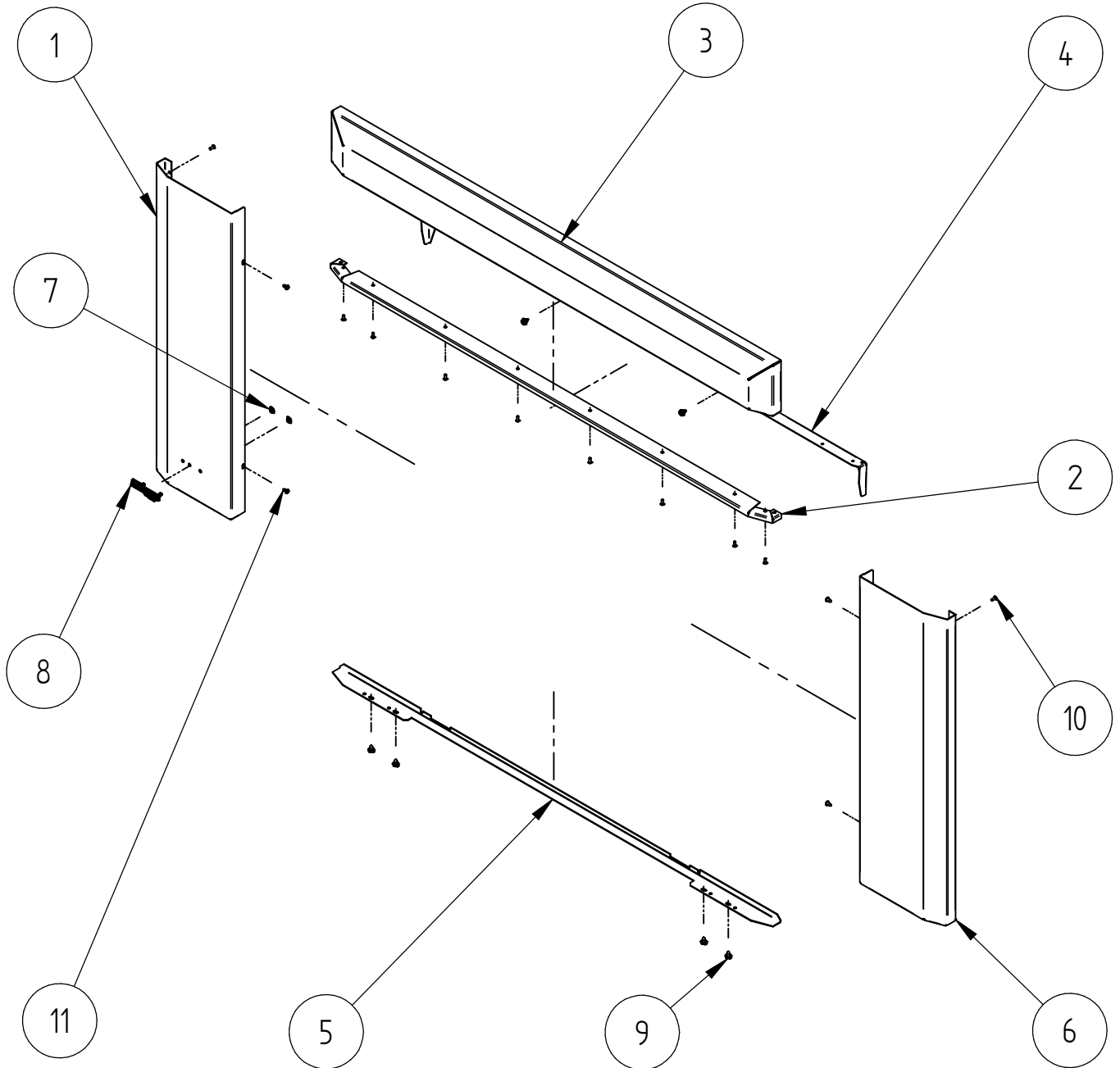


When ordering PLEASE QUOTE PART ID along with Finish Suffix (if applicable)

DOOR ASSEMBLY				
Item	Part ID	Model(s)	Description	Qty
		995989		
		993282		
1	984571	-	LATCH-DOOR CATCH PROVINCIAL S2	1
2	987124	-	Retainer-Glass LE7000	1
3	995130	V02	FRAME-DOOR ASSY LE7PRS3 MET BLK VHT	1
4	522401	-	NUT; SPIRE SNJ 0116/17/4/6	4
5	587111	-	GLASS-W/FIRE LE 7000	1
6	595641	-	ROD-HANDLE W/F INBUILT	1
7	595655	-	HANDLE-DOOR WOOD W/F INB	1
8	C15MMDR	-	DOOR ROPE	1
9	C25MMGT	-	GLASS FIBRE TAPE 25x3x50m ROLL (MTR)	1
10	521619	-	SCREW; S/T 8GX1/2" PAN POZI ZP	4
11	522900	-	NUT; BINX M10 ZP	1
12	523021	-	WASHER; FLAT M10X19X1.6 ZP	5
13	521825	-	SCREW; CAP M6X20 CSK ALLEN BLK	1
14*	787111	-	DOOR GLASS KIT	1
15*	795655	-	DOOR HANDLE KIT	1

\*Optional Sale Kit

## FASCIA ASSEMBLY

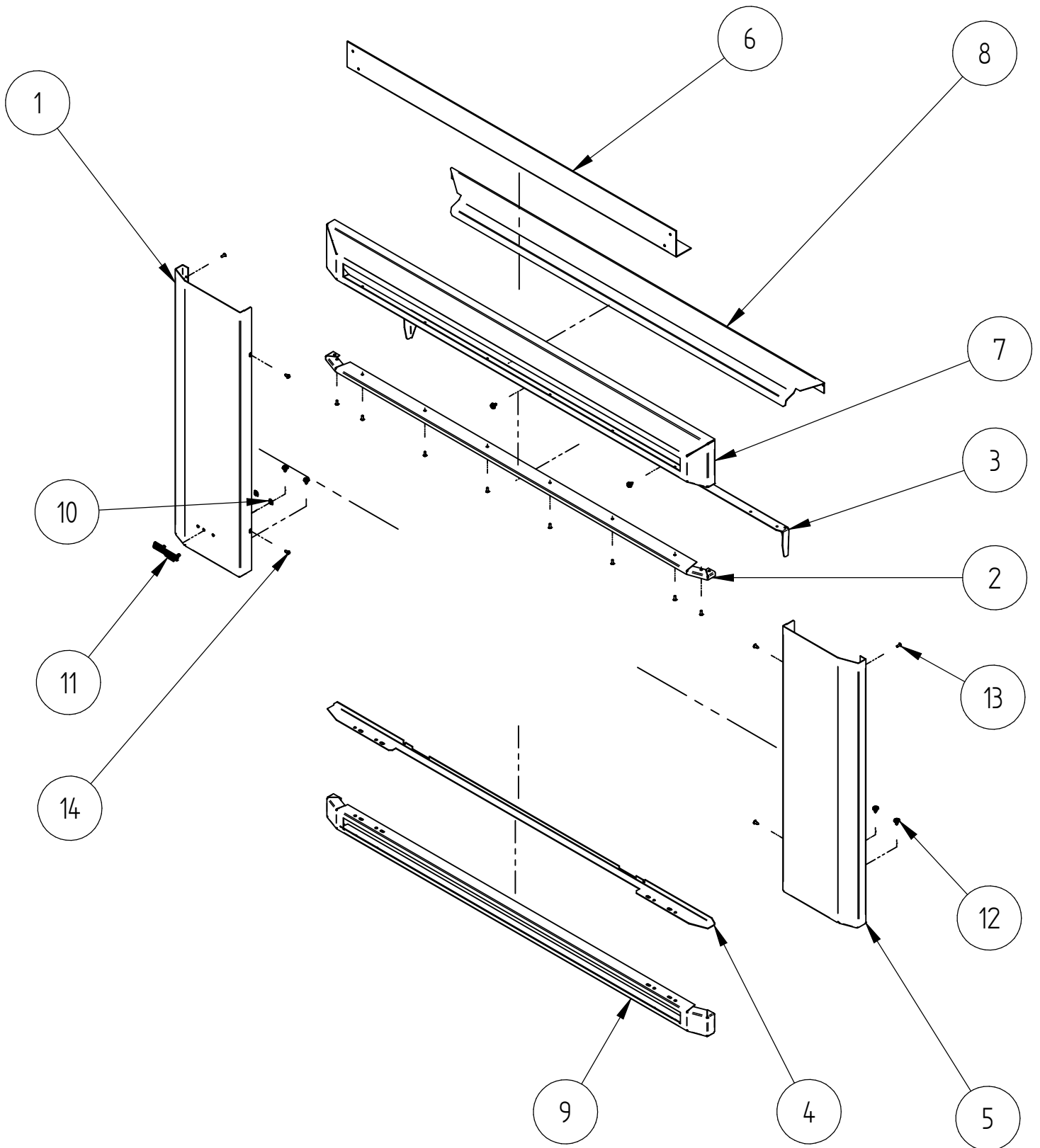


When ordering PLEASE QUOTE PART ID along with Finish Suffix (if applicable)

FASCIA ASSEMBLY: 995992				
Item	Part ID	Model(s)	Description	Qty
		995989		
1	995121	V02	PANEL-LH, FASCIA LE7 PROV	1
2	995122	V02	TRIM FASCIA LE7 PROV	1
3	995123	V02	PANEL TOP LE7 PROV	1
4	995124	V02	BRKT-LOCATING, FASCIA LE7 PROV	1
5	995125	V02	STIFFENER-FASCIA, LE7 PROV	1
6	995126	V02	PANEL-RH, FASCIA LE7 PTOV	1
7	526001	-	CLIP; STARLOCK 4 DIA SLP04	2
8	587836	-	BADGE MASPORT CAST	1
9	521635	-	SCREW; S/T 10GX3/8" HEX FLANGE BLK	6
10	524010	-	RIVET; 73 AS 4-3 LONG	10
11	521646	-	SCREW; S/T 8GX3/8" WAFER PHILLIPS NIC	4

When ordering PLEASE QUOTE PART ID along with Finish Suffix (if applicable)

## ZC FASCIA ASSEMBLY



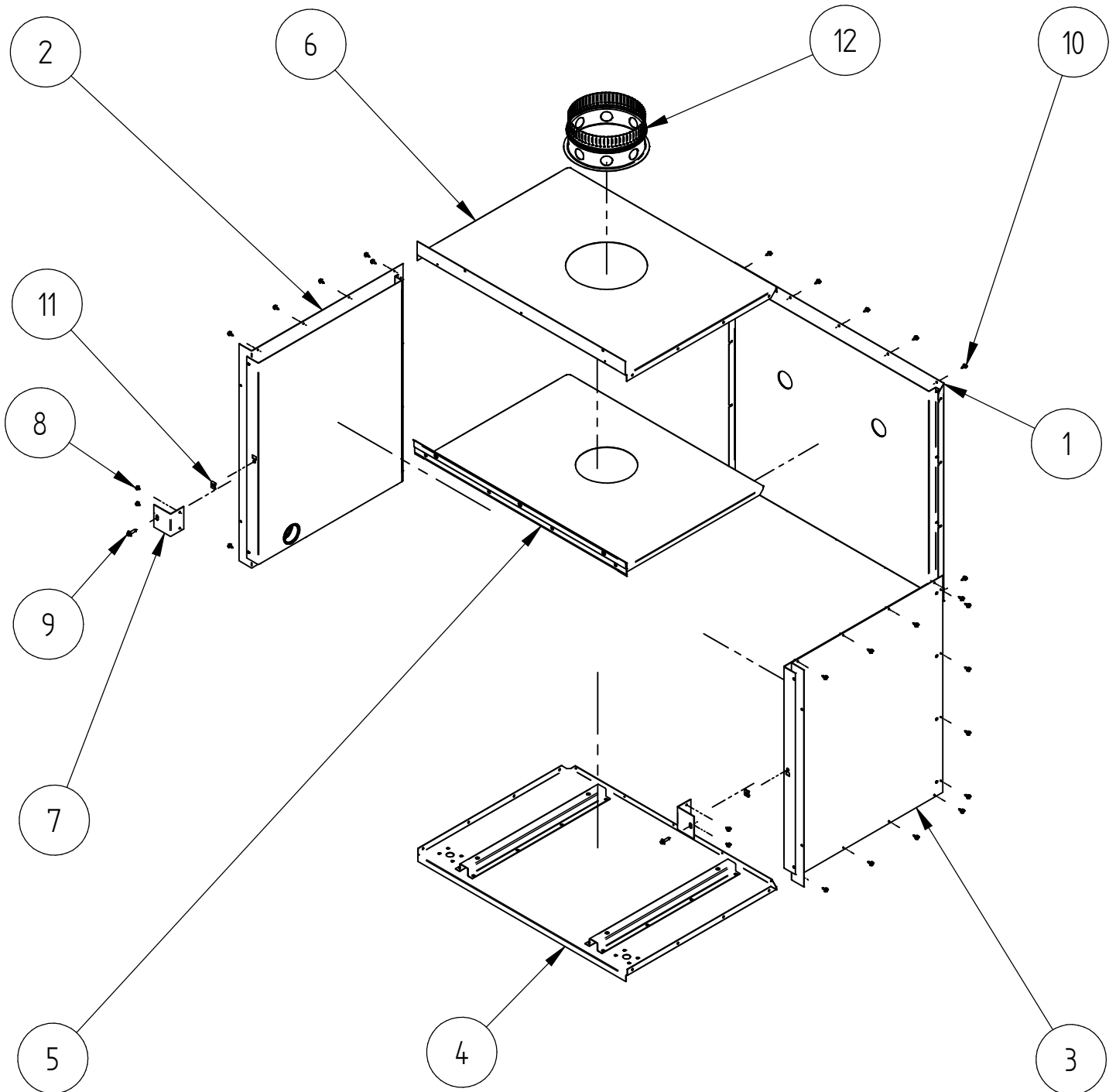
When ordering PLEASE QUOTE PART ID along with Finish Suffix (if applicable)



ZC FASCIA ASSEMBLY: 995995				
Item	Part ID	Model(s)	Description	Qty
		995989		
1	995121	-	PANEL-LH, FASCIA LE7 PROV	1
2	995122	-	TRIM FASCIA LE7 PROV	1
3	995124	-	BRKT-LOCATING, FASCIA LE7 PROV	1
4	995125	-	STIFFENER-FASCIA, LE7 PROV	1
5	995126	-	PANEL-RH, FASCIA LE7 PTOV	1
6	995181	-	SUPPORT ANGLE - ZC BOX LE7 PROV	1
7	995186	-	PANEL - TOP, ZC LE7 PROV	1
8	995187	-	DEFLECT - AIR, LE7 PROV	1
9	995188	-	VENTED LOWER RAIL - FSCA ZC LE7 PROV	1
10	526001	-	CLIP; STARLOCK 4 DIA SLP04	2
11	587836	-	BADGE MASPORT CAST	1
12	521635	-	SCREW; S/T 10GX3/8" HEX FLANGE BLK	6
13	524010	-	RIVET; 73 AS 4-3 LONG	10
14	521646	-	SCREW; S/T 8GX3/8" WAFER PHILLIPS NIC	4

When ordering PLEASE QUOTE PART ID along with Finish Suffix (if applicable)

# ZERO CLEARANCE BOX ASSEMBLY

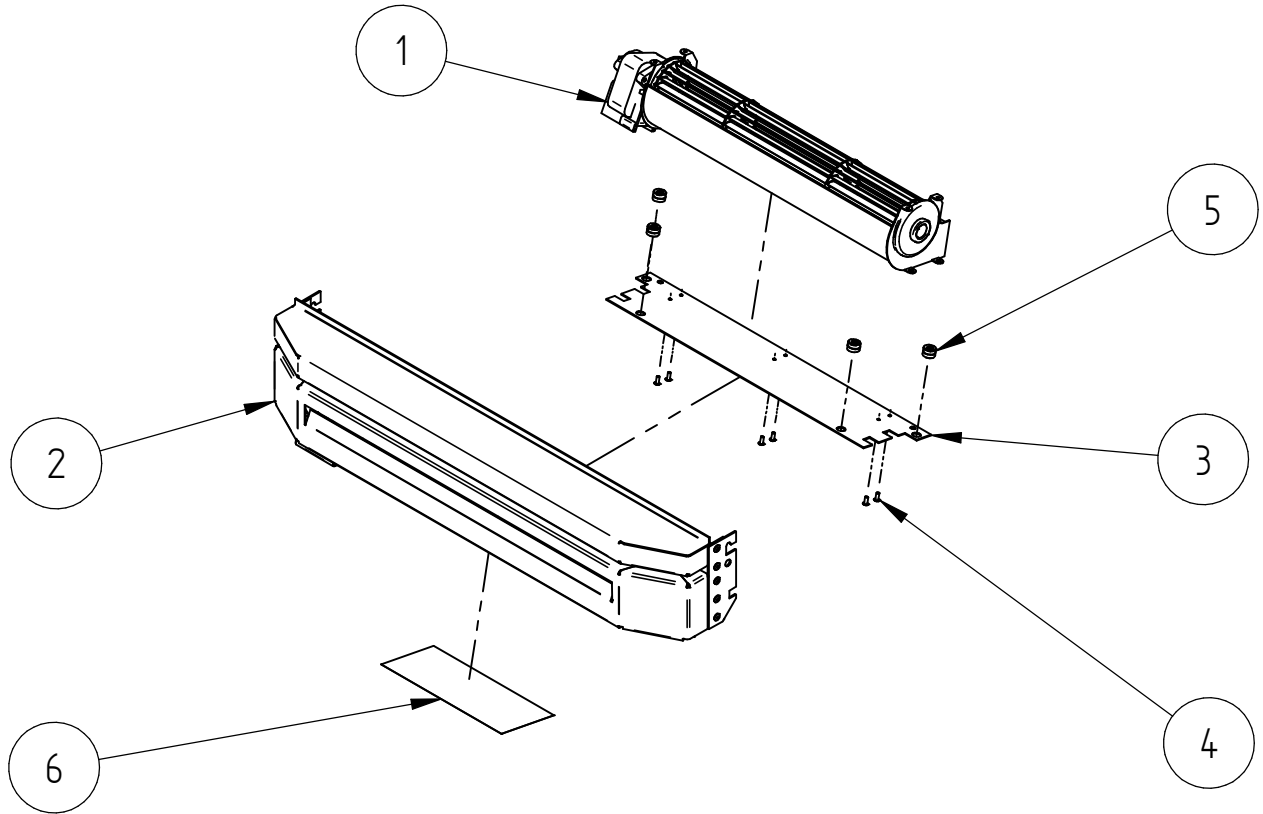


When ordering PLEASE QUOTE PART ID along with Finish Suffix (if applicable)

ZC ASSEMBLY: 995965				
Item	Part ID	Model(s)	Description	Qty
		995989		
1	995159	-	FS REAR PANEL ASSY Z/C LE7	1
2	995171	-	FS SIDE PANEL ASSY L/H Z/C LE7	1
3	995174	-	FS SIDE PANEL ASSY R/H Z/C LE7	1
4	995176	-	FS BOTTOM PANEL ASSY Z/C LE7	1
5	995162	-	LE7000 Z/C PANEL ASSY TOP	1
6	995180	-	PANEL TOP - ZC BOX LE7 PROV	1
7	995196	-	BRACKET RESTRAINT, ZC K1	2
8	521635	-	SCREW; S/T 10GX3/8" HEX FLANGE BLK	4
9	521637	-	SCREW; S/T 12GX25 TIMBERTITE	2
10	521643	-	SCREW; S/T 8GX1/2" HEX POZI BLK	34
11	522402	-	NUT; SPIRE SNU0537	2
12	595688	-	FLANGE SPIGOT ZC KIT	1

When ordering PLEASE QUOTE PART ID along with Finish Suffix (if applicable)

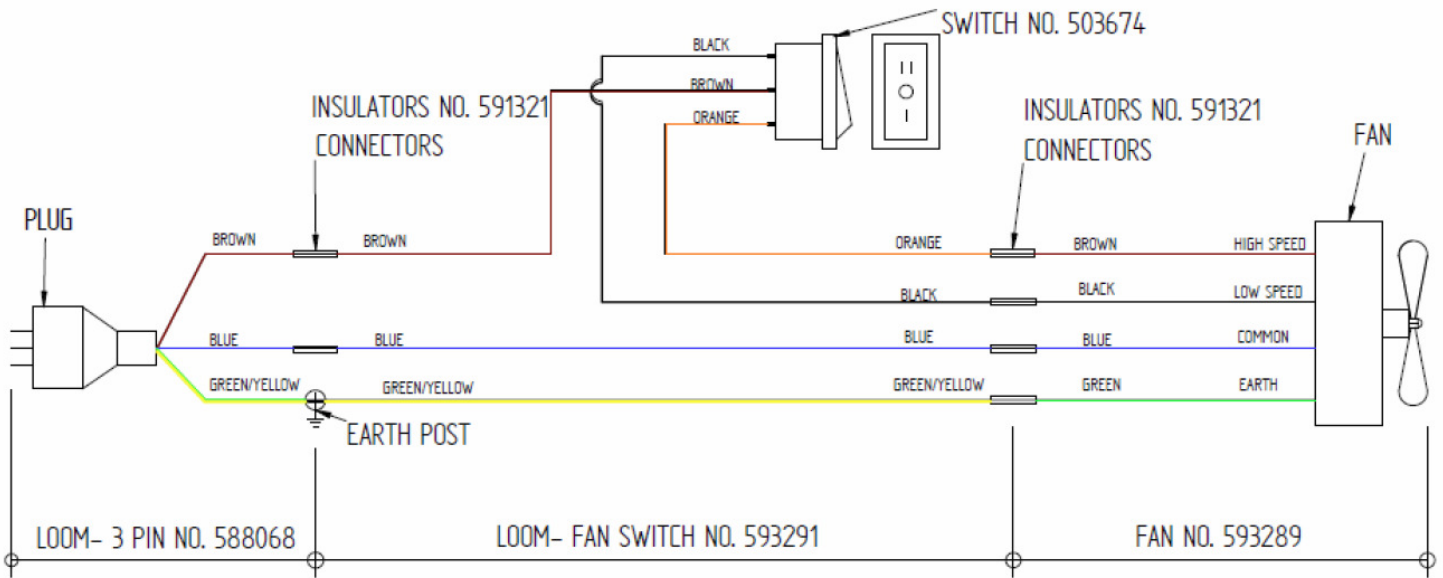
## FAN BOX ASSEMBLY



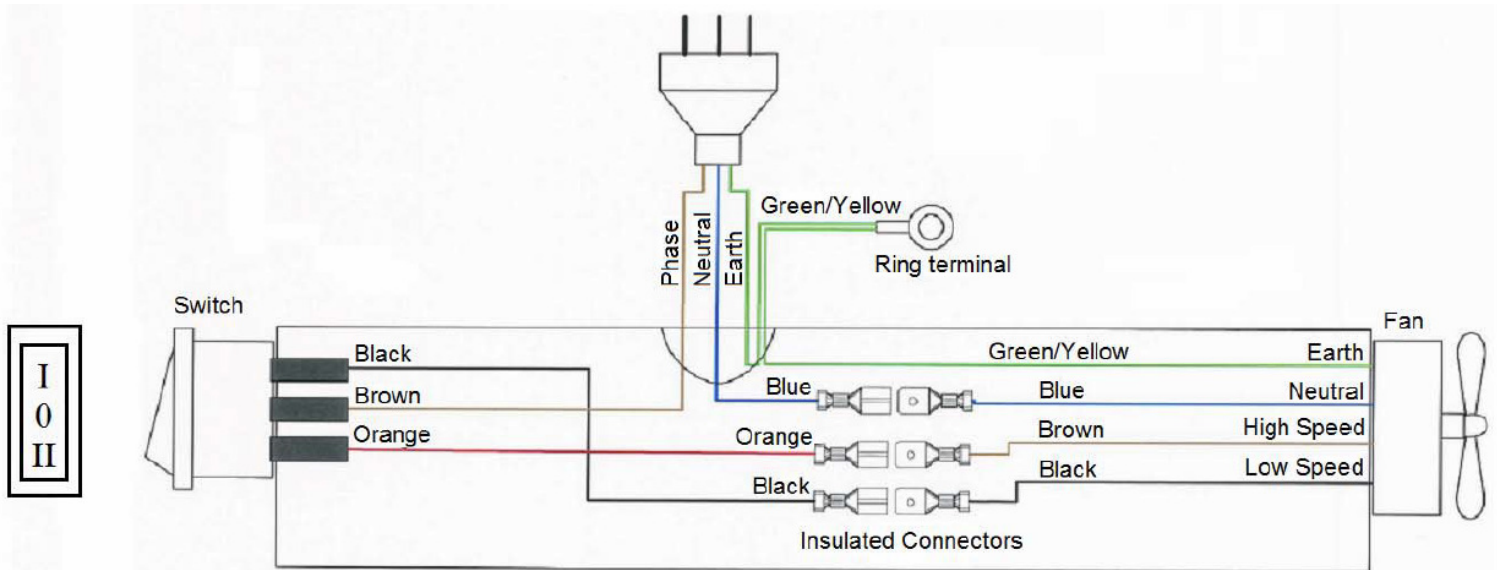
FAN BOX ASSEMBLY: 993780V02				
Item	Part ID	Model(s)	Description	Qty
		995989		
1	995281	-	FAN-2 SP TANG W/F INB FERGAS 76082	1
2	995283	V02	FAN BOX ASSY LE7 PROV	1
3	995289	-	FAN BRACKET LE7 PROV	1
4	524010	-	RIVET; 73 AS 4-3 LONG	6
5	529402	-	GROMMET; 14X6	4
6	593292	-	DECAL FAN WIRING W/F PROV 09	1

When ordering PLEASE QUOTE PART ID along with Finish Suffix (if applicable)

## FAN LOOM DIAGRAM



## FAN WIRING DIAGRAM W/F FREESTANDING 2011 - 2013



## FAN WIRING DIAGRAM W/F FREESTANDING 2013 ONWARDS

When ordering PLEASE QUOTE PART ID along with Finish Suffix (if applicable)

NOT ILLUSTRATED				
Item	Part ID	Model(s)	Description	Qty
		995989		
1	595179	-	INSTRUCT BRICK INSTALL	1
2	593286	-	OWNER MANUAL WOODFIRES	1
3	593287	-	INSTALL MANUAL WOODFIRE	1
4	595182	-	INSTRUCT ZC KIT LE7 P	1
5	595191	-	INSTRUCT INSERT LE7 P	1
6	590475	-	INSTRUCTFASCIA INB	1

**SURFACE FINISH CODES FOR PANELS**

VITREOUS ENAMEL		VHT PAINT(Very High Temp)			POWDER COAT	
E01	MATT BLACK	V02	P-000022	METALLIC BLACK	P02	MATT BLACK
E02	GLOSS BLACK	V03	P-000043	CHARCOAL	P03	CHARCOAL
E03	CHARCOAL	V04	P-000081	TITANIUM	P05	SATIN BLACK
		V05	P-000051	CHARCOAL (DAM MET BLK)	P09	METTALIC BLACK
		V06	P-000052	METALLIC BLACK ZINC		

**LESS FREQUENTLY OR OLD SURFACE FINISH CODES FOR PANELS**

VITREOUS ENAMEL		VHT PAINT(Very High Temp)			POWDER COAT	
E04	JASMINE	V01		SATIN BLACK HIGH TEMP	P01	BLUE/BLACK
					P04	GLOSS CHARCOAL
					P07	FLAT BLACK

When ordering PLEASE QUOTE PART ID along with Finish Suffix (if applicable)