

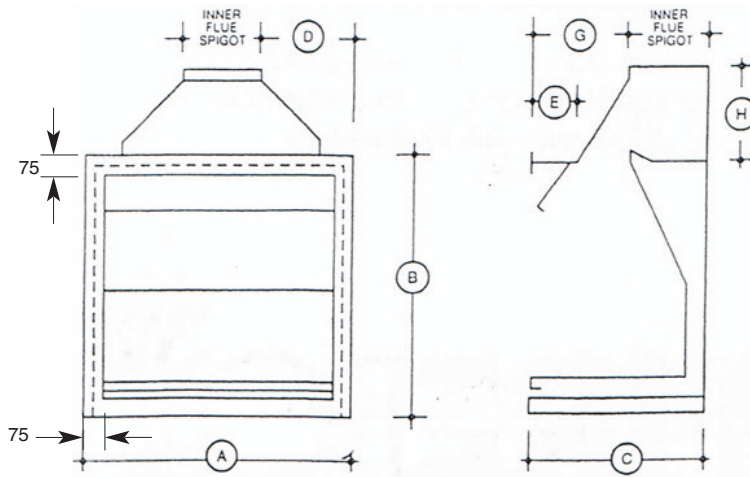
LIGNA OPEN FIREPLACE SYSTEM

INSTALLATION & OPERATING MANUAL

STANDARDS

The installation detail contained herein complies with Australian Standards AS 2918-1990 for Safe Installations and AS4013-1992 for Low Emissions, as tested and approved by HRL Technology Pty. Ltd. an approved testing laboratory of The National Association of Testing Authorities Australia (NATA).

DIMENSIONS



MODEL	DIMENSIONS (mm)					FLUES	
	A	B	C	D	E	Inner	Outer
700	780	706	450	205	680	225	280
800	900	715	475	230	800	250	300
900	1020	780	500	260	920	300	350

MINIMUM INSTALLATION REQUIREMENTS

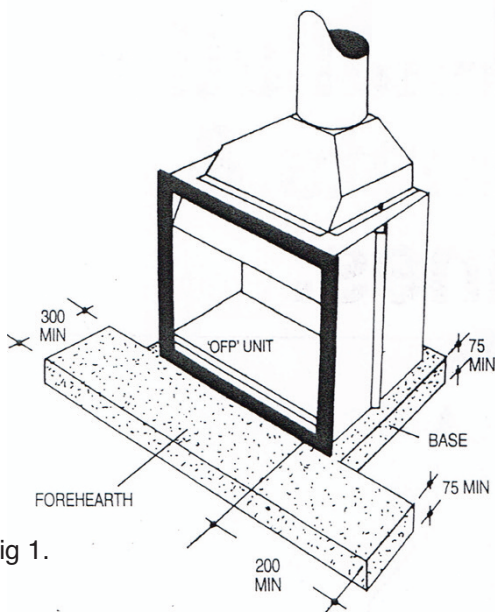


Fig 1.

Base & Forehearth Requirements. (Fig 1.)

BASE

Must be constructed of non-combustible materials i.e. concrete slab, brickwork or Hebel blocks. The base must be a minimum of 75mm thick.

NOTE: On timber floor applications 6mm cement sheeting is also required beneath the base and forehearth in addition to the selected 75mm (min.) non-combustible base material.

FOREHEARTH

The forehearth must project a minimum of 300mm forward of the face of the Ligna unit and extend 200mm on each side of the unit. This must also be constructed of non-combustible materials at least 75mm thick as detailed above.

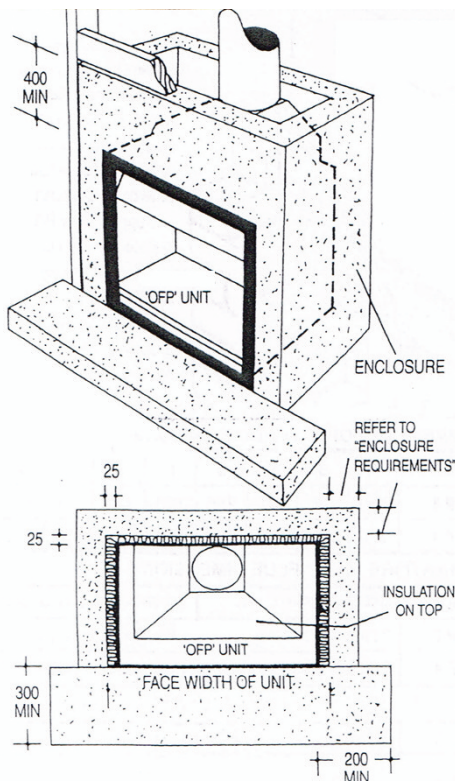


Fig 2.

Enclosure Requirements. (Fig 2.)

The enclosure must be of non-combustible materials i.e. masonry, 75mm Hebel blocks or equivalent material as otherwise specified by the manufacturer

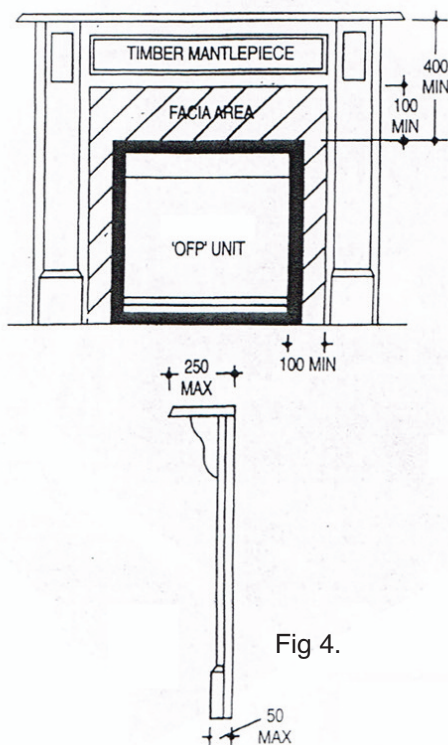
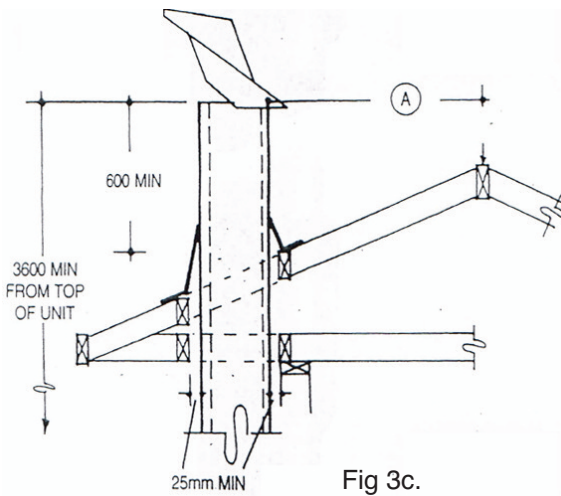
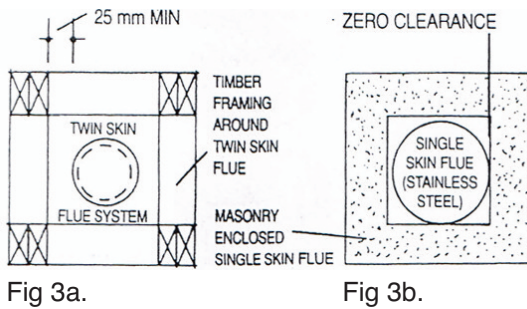
The enclosure must completely surround the sides, back and breast above the unit, as shown in Fig 2.

Place the insulation on top of the units gable and tuck into enclosure.

NOTE: Timber framing can directly abut i.e. Zero Clearance (0mm) the outside faces of the sides and back of the non-combustible enclosure.

For flue clearances to timber framing above the non-combustible enclosure refer to instructions headed Flue Clearance Requirements.

MINIMUM INSTALLATION REQUIREMENTS (Continued)



Flue Clearance Requirements.

TIMBER FRAMED FLUE ENCLOSURES

(Fig 3a.)

Use the twin skin ventilated flue system, (stainless steel inner flue and galvanised outer flue casing) if the flue is to be enclosed with combustible materials like timber framing and plaster board or left exposed.

A minimum clearance of 25mm must be maintained between the flues galvanised outer casing and any combustible materials.

MASONRY FLUE ENCLOSURES (Fig 3b.)

Use the single skin stainless steel flue system. If the flue is to be completely enclosed with non-combustible materials (i.e. 110mm Brickwork, 75mm Hebel blocks). This can abut (Zero Clearance) to masonry.

FLUE ROOF PROJECTION REQUIREMENTS

(Fig 3c.)

If dimension (A) is more than 3.6 metres away from the ridge then the flue must project at least 600mm above the highest point of exit at the roof line.

If dimension (A) is less than 3.6 metres from the ridge, the 600mm minimum is to be maintained plus an additional projection of 300mm above the ridge height.

NOTE: Use a minimum of 3.6 metres of flue from the top of the unit.

Timber Mantelpiece Clearance Requirements.

(Fig 4.)

Timber mantle shelves must not be less than 400mm above the unit and must not project more than 250mm forward of the face of the unit.

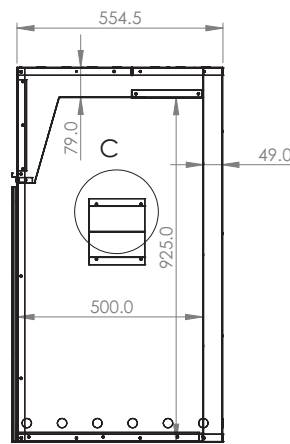
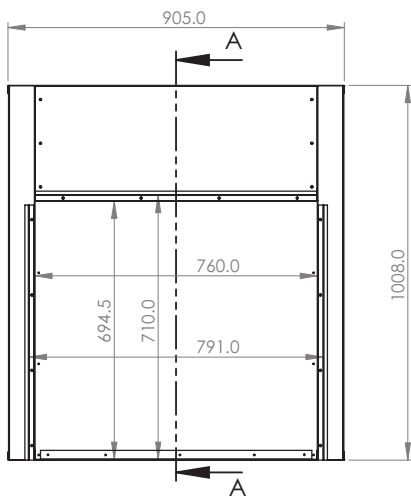
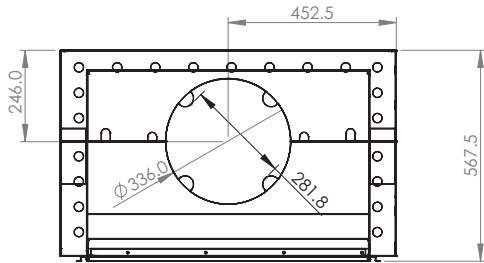
Timber legs of overmantles must be at least 100mm away from the sides of the opening of unit at which point the legs must not project forward of the face of the unit by more than 50mm.

Fascia area can be finished in a suitable non-combustible material as selected.

NOTE: Some local authorities may require a permit for the installation. We advise you to check and arrange if so required.

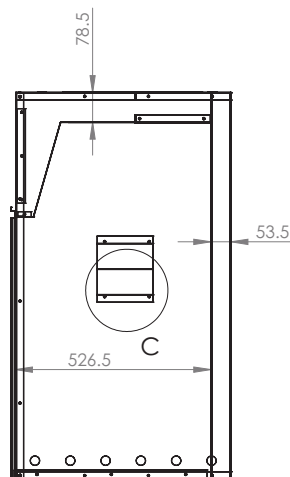
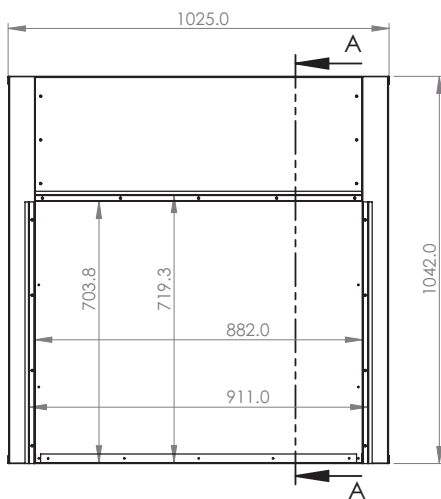
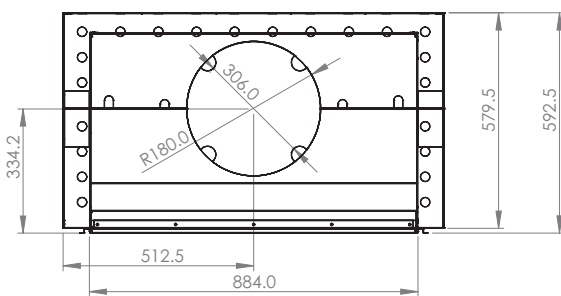
ZERO CLEARANCE BOXES

700ZC Box



SECTION A-A

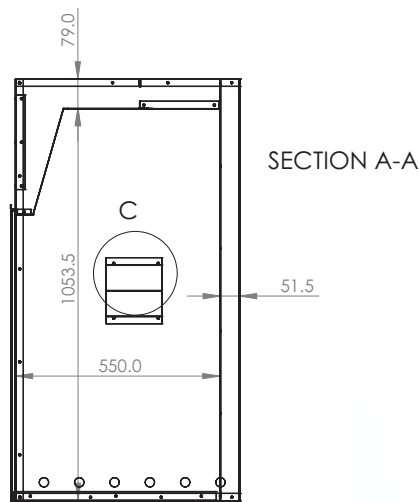
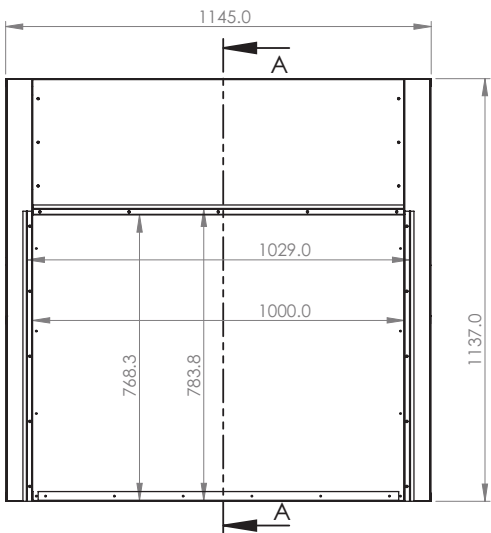
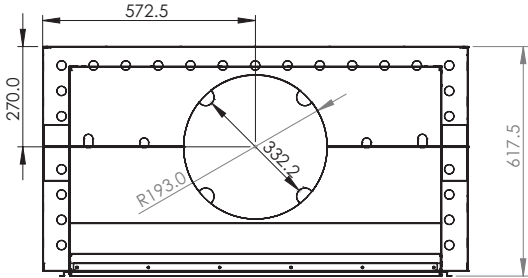
800ZC Box



SECTION A-A

ZERO CLEARANCE BOXES (Continued)

900ZC Box



INSTALLATION PROCEDURE

1. Position unit on finished hearth base. Do not restrict air intake at base of unit. (Refer minimum requirements, Base & Hearth Fig1.)
2. Ensure gather is bolted tightly onto unit.
3. Fit Flues as follows.

TWIN SKIN FLUE SYSTEM

Where flues are to be left exposed or surrounded with combustible materials, the twin skin ventilated flue system is required. (Refer minimum requirements - Flue clearances Fig.3)

Position Stainless Steel Inner Active Flue (crimped end down) into collar of spigot. Rivet to collar at 4 points and thereafter 4 at each flue joint.

Position Outer Flue Casing (crimped end up) over inner flue and space with 25mm self tapping screws, 4 at bottom then 4 at each flue casing joint. Ensure flues are structurally secure.

Maintain at least 25 mm clearance between outer casing and any combustible materials.

SINGLE SKIN FLUE SYSTEM

Where flue is to be fully enclosed in masonry or other non-combustible material, only the single skin Stainless Steel Active flue is required.

Position Stainless Steel Inner Active Flue (crimped end down) into collar of spigot. Rivet to collar at 3 points and thereafter 3 at each flue joint.

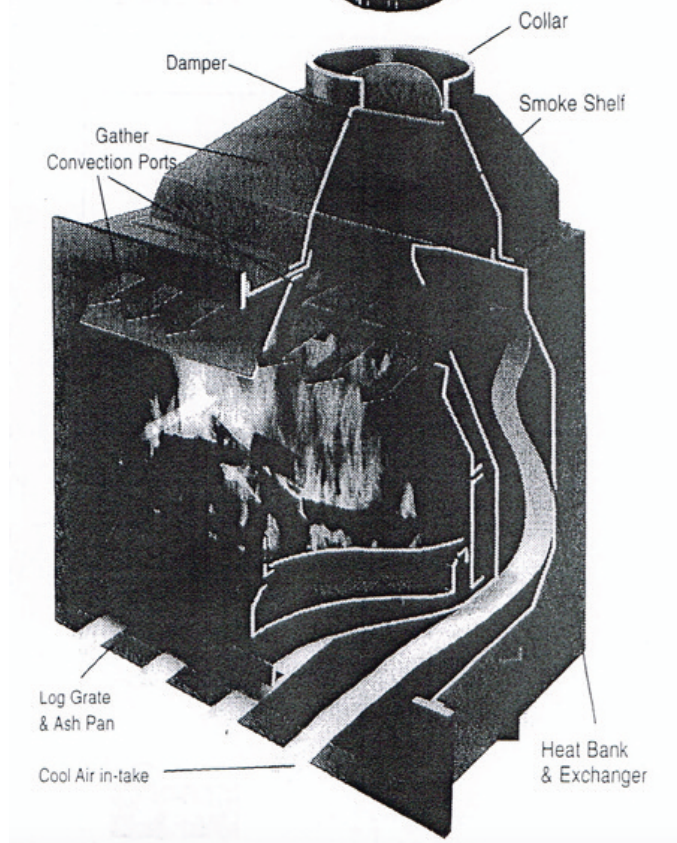
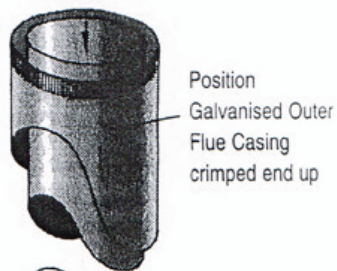
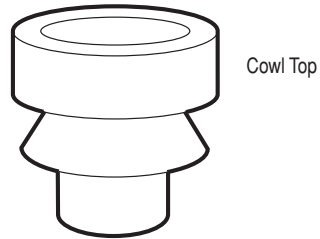
Clearance between masonry and flue is not necessary.

N.B. FLUE OFFSETS

45 degree flue bends can be positioned directly onto the gather collar of the unit. Use at least 2 x 900mm lengths of flue following last bend upright. Use a minimum 3.6m length of flue from the top of the unit.

4. Construct enclosure as required and place the insulation provided on top of unit, gather and below optional brickwork lintel. (Refer minimum requirements, Enclosures Fig 2.)
5. Fit Cowl into inner stainless steel flue and secure. Seal and flash flues appropriately.
6. Place log grate and ashpan in position.

INSTALLATION PROCEDURE (Continued)





GLEN DIMPLEX AUSTRALIA PTY LTD

ABN 69 118 275 460

Head Office/Factory/Showroom

1340 Ferntree Gully Rd.

Scoresby Vic 3179

Ph: (03) 8706 2000 Fax: (03) 8706 2001

E-mail: info@realflame.com.au

Richmond - VIC Showroom

300 Swan St.

Richmond Vic 3121

Ph: (03) 9428 4443 Fax: (03) 9428 4445

Dandenong - VIC Showroom

3/328 South Gippsland Highway,

Dandenong South Vic 3164

Ph: (03) 9702 7853

E-mail: sales@realflamedandenong.com.au

Geelong - VIC Showroom

1/2A Gordon Avenue.

Geelong West Vic 3218

Ph/Fax: 5229 0844

E-mail: realflamegeelong@hotmail.com.au

Sydney - NSW Showroom

546 Pacific Highway.

Chatswood NSW 2067

Ph: (02) 8905 0189 Fax: (02) 8905 0192

E-mail: info@realflame.com.au

Miranda - NSW Showroom

36 Kareena Rd

Miranda NSW 2228

Ph: (02) 8513 6202 Fax: (02) 9520 1974

E-mail: fireplace@realflamesouth.com.au

Adelaide - SA Showroom

173 -175 Magill Rd.

Norwood SA 5067

Ph: (08) 8132 0371 Fax: (08) 8132 1687

E-mail: realflamesa@iprimus.com.au

Milton - QLD Showroom

46 Douglas St,

Milton QLD 4064

Ph: (07) 3368 2011

Perth - WA Showroom

47-53 McDonald St East,

Osborne Park WA 6017

Ph: (08) 9444 9900 Fax: (08) 9444 9800

Fyshwick - ACT Showroom

88 Wollongong St,

Fyshwick ACT 2609

Ph: (02) 6280 5522

Ulverstone - TAS Showroom

31A Victoria St,

Ulverstone TAS 7315

Ph: (03) 6425 4440