



3615/4415/6015 Trim Kit Installation

See SKU's Below

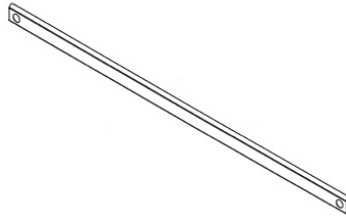
Compatibility / Sizing / SKU's

4415 – First 315 Units ARE NOT COMPATIBLE

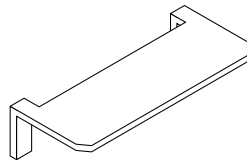
4415 fireplaces, serial number 3212-000001 through 3212-000315 are not compatible with the trim kit (the firebox opening was not wide enough).

4415 – Early Units REQUIRE NEW CONCEALMENT COVER

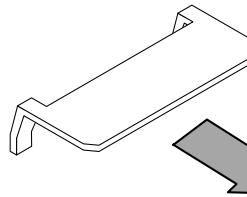
4415 fireplaces, serial number 3212-000316 through 3212-000883 used a concealment cover that is too wide for the 4415 trim kit. If you have one of these units, contact Travis Industries to receive a revised concealment cover (part # 250-03302).



In addition, you will need to widen the two ledges the concealment cover rests on inside the fireplace. Use a screwdriver to widen the ledge as shown below.



Before



After

	Minimum Facing Depth	Maximum Facing Depth	SKU
3615 Standard Facing Kit	1/2"	7/8"	95900388
3615 Thick Facing Kit	1"	1-1/2"	95900390
4415 Standard Facing Kit	1/2"	7/8"	95900392
4415 Thick Facing Kit	1"	1-1/2"	95900394
6015 Standard Facing Kit	1/2"	7/8"	95900396
6015 Thick Facing Kit	1"	1-1/2"	95900398

Packing List

- (2) Side Pieces
- (2) Top/Bottom Trim Pieces
- L Bracket Hardware (4 L Brackets with 2 Set Screws Pre-Installed, 4 L Spacers)
- (4) 8-32 x 3/8" Screws
- (2) Top Trim Clamps



3615/4415/6015 Trim Kit Installation

See SKU's Below

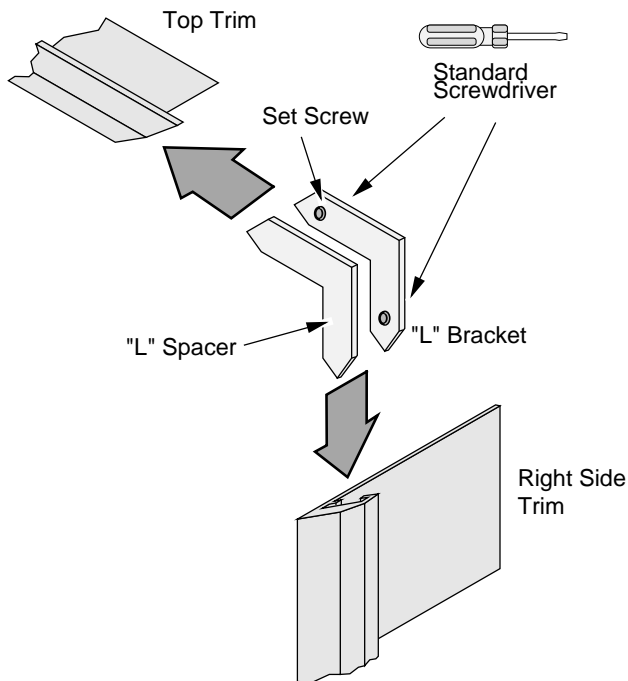
Installation

WARNING Turn off gas to the appliance and make sure it has fully cooled prior to conducting service.

HINT: Blacken the Edges of the Extruded Trim

Before constructing the trim assembly, use a black permanent marker to blacken the outer silver edges of the extruded trim.

- 1 The trim is attached after the fireplace is in place with the non-combustible facing installed.
- 2 Assemble the trim kit as shown below. Use one L bracket and spacer for each corner. Use a screwdriver to tighten the set screws from behind. If the corners are not aligned, loosen the screws, align, and re-tighten.



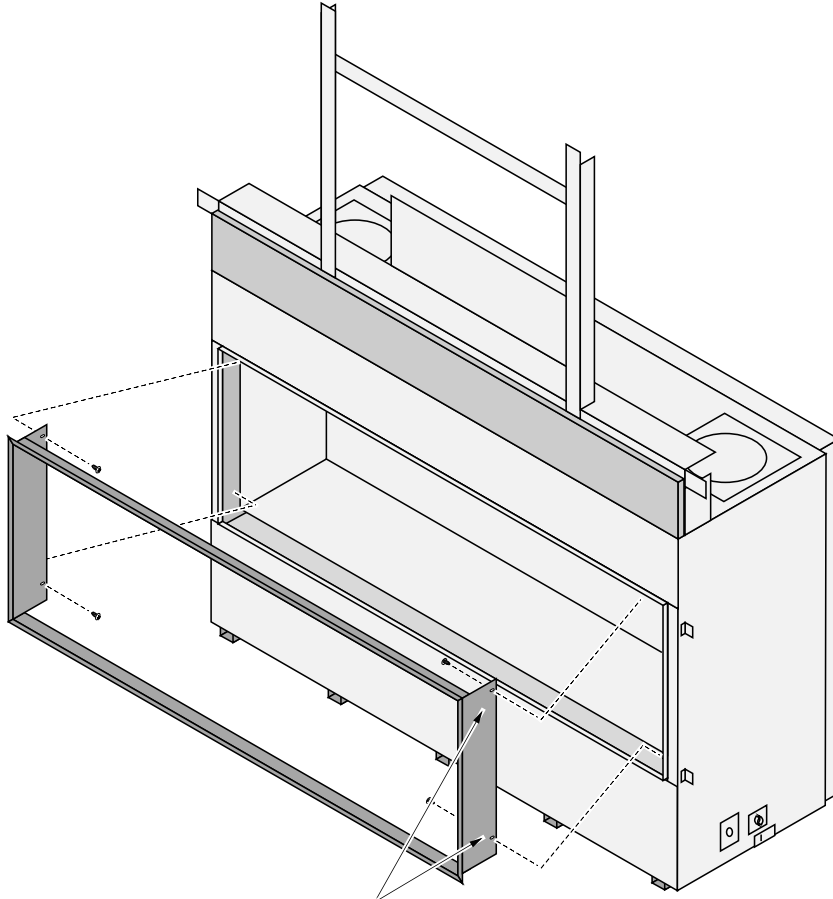
- 3 Remove the screen and glass frame from the fireplace (see the installation manual for details).



3615/4415/6015 Trim Kit Installation

See SKU's Below

- 4 Place the trim in place, taking care to not scratch the surfaces. Once it is fully in place, use the included screws to secure the trim to the fireplace.



- i** **Make sure to install the trim right side up.** Note how the side holes are positioned (the smaller gap is to the top).

When tightening the screws, push the trim against the facing to ensure a seamless fit.

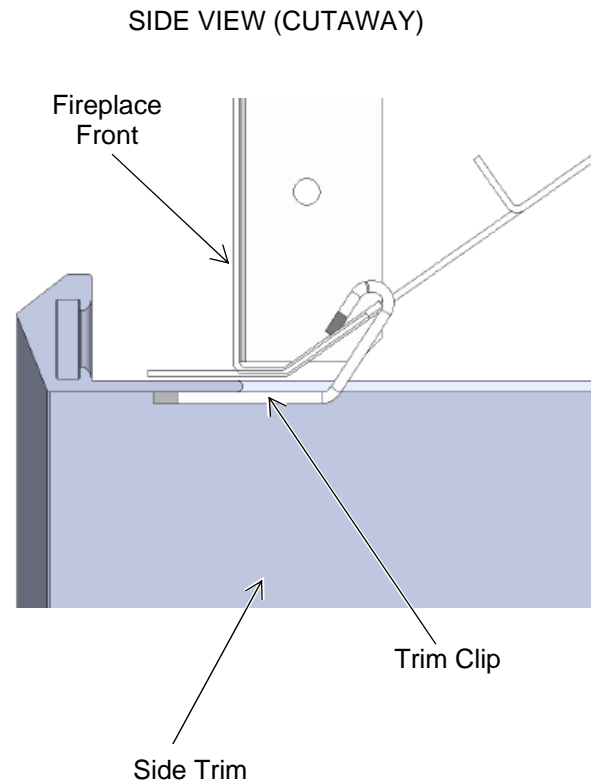
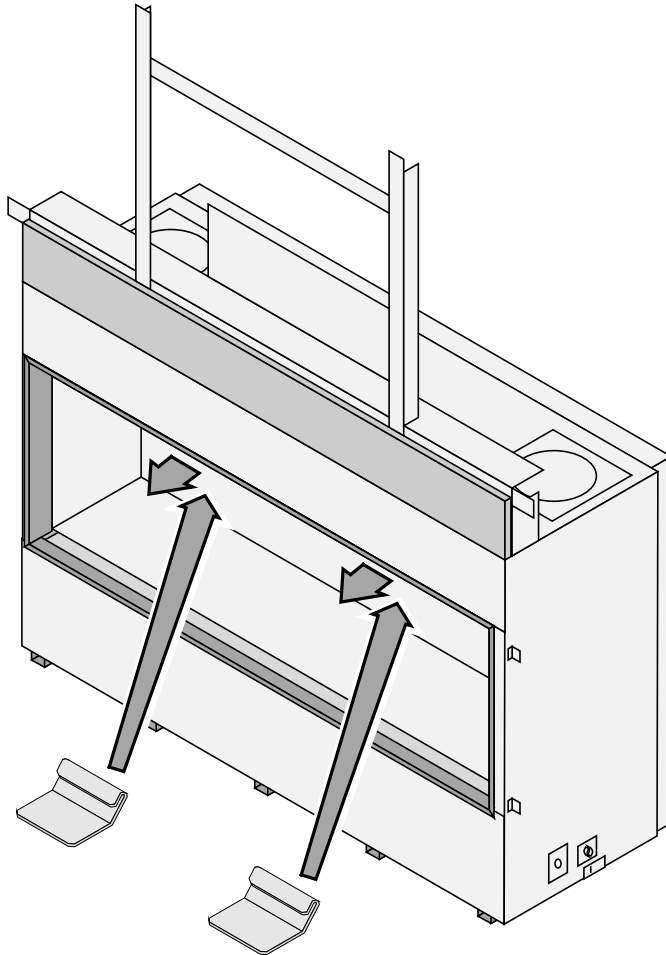




3615/4415/6015 Trim Kit Installation

See SKU's Below

- 5 Install the two top clips as shown below. When installing, make sure to place the clips off-center, away from any rivets or supports. The clips slide under the trim, and as they are moved forward, secure the trim against the fireplace opening (see the illustrations below).



- 6 Restore the fireplace to the correct configuration.