

Lopi[™]

Linear Gas Fireplaces

Linear Range Features

- GreenSmart™ 2 system
- Beautiful crushed glass floor
- Twin 90 CFM blowers
- Huge glass viewing area
- Heating from 150 up to 260 Sqm
- Accent lights under the glass floor
- Heavy steel construction that includes a heavy-duty 10 gauge welded glass frame
- Protective safety screen over the glass
- Six adjustable levels for fan, lights and flame



FEATURING
GREEN 2 SMART[™]



3615 HO GS2 Direct Vent Gas Fireplace



The Lopi 3615 HO GS2 is the smallest in the line-up of our linear fireplaces. It features a glass viewing area of over 850mm in width, with high dancing flames and under lighting that can be used whether the fire is on or off. The smaller dimensions of the 3615 make it suitable for smaller walls or room proportions. The 3615 has a gas input of 35Mj/hr and ceramic glass for increased radiant heat meaning this linear fireplace is not just for looks.

There is the option of 3 media types - a glass bed in a choice of 3 colours or the Driftwood Twig and Stone Fyre-Art™ or Driftwood Log. In addition to this you can choose between the black painted fire-back liner, black enamel, stainless steel or ledgerstone to further compliment this stunning fire.

Lopi 3615 HO GS2 Specifications

Mj Input	Heating Capacity	Max kW Output	Media Type
34.8 Mj High 19.3 Mj Low NG 18.5 Mj Low LPG	Up to 158sqm*	7.2kW	<ul style="list-style-type: none"> • Glass - 3 Colours • Driftwood Log • Driftwood Twig & Stone
Burner Type	Accent Lighting	Glass Size	Installation Type
Diamond-Fyre™ GreenSmart™ 2	Included	855mm wide x 315mm high	Zero Clearance or Masonry Installation LPG Conversion Incl

Media Options (Optional)



Driftwood Twig & Stone Fyre-Art™



Driftwood Log Fyre-Art™

*Heating capacity varies according to the size of closed off area, ceiling height, floor plan, insulation and outside air temperature



4415 HO GS2 Direct Vent Gas Fireplace



The 4415 HO GS2 gas fireplace brings you the very best in home heating and style with its sleek, linear appearance and impressively high heat output. With a long row of dancing flames and built-in fans, the 4415 is not only an excellent heater but a beautiful focal point in your home. Turn on the under-lighting that shines through the translucent glass floor and you've got magic whether the fire is on or off.

This sophisticated fireplace can accompany any architectural style with a selection of fireback liner options along with three media types.

Lopi 4415 HO GS2 Specifications

Mj Input	Heating Capacity	Max kW Output	Media Type
44 Mj High 22 Mj Low NG / LPG	Up to 195sqm*	10.58kW	<ul style="list-style-type: none"> • Glass - 3 Colours • Driftwood Log • Driftwood Twig & Stone
Burner Type	Accent Lighting	Glass Size	Installation Type
Diamond-Fyre™ GreenSmart™ 2	Included	1066mm wide x 315mm high	Zero Clearance or Masonry Installation LPG Conversion Incl

Media Options (Optional)



Driftwood Twig & Stone Fyre-Art™



Driftwood Log Fyre-Art™

*Heating capacity varies according to the size of closed off area, ceiling height, floor plan, insulation and outside air temperature

Lopi 4415 HO GS2 Shown with Platinum Glass & Stainless Steel Fireback Liner



6015 HO GS2 Direct Vent Gas Fireplace



The Lopi 6015 HO GS2 is the largest in the Lopi linear range of gas fireplaces. The 6015 features almost 1.5 metres of flame, beauty and heat!

With underlighting and optional Driftwood Twig and Stone Fyre-Art™, this fireplace will certainly be a focal point in your home as well as providing heating of up to 260sqm*. The 6015 can be turned down by over 50% to create a more subtle heat whilst maintaining an impressive flame.

Lopi 6015 HO GS2 Specifications

Mj Input	Heating Capacity	Media Type	Max kW Output
59.1 Mj High 31.9 Mj Low NG 31.3 Mj Low LPG	Up to 260sqm*	<ul style="list-style-type: none"> • Glass - 3 Colours • Driftwood Log • Driftwood Twig & Stone 	14.19kW
Burner Type	Accent Lighting	Glass Size	Installation Type
Diamond-Fyre™ GreenSmart™ 2	Included	1465mm wide x 315mm high	Zero Clearance or Masonry Installation LPG Conversion Incl

Media Options (Optional)



Driftwood Twig & Stone Fyre-Art™



Driftwood Log Fyre-Art™

Lopi 6015 HO GS2 Shown with Platinum Glass, Enamel Fireback Liner & 10mm Finishing Trim

*Heating capacity varies according to the size of closed off area, ceiling height, floor plan, insulation and outside air temperature

Finishing Options

Fireback Liners & Glass Colours (Required)



Black Painted



Black Enamel



Stainless Steel



Ledgestone



Platinum Glass



Bronze Glass



Cobalt Glass

Finishing Options

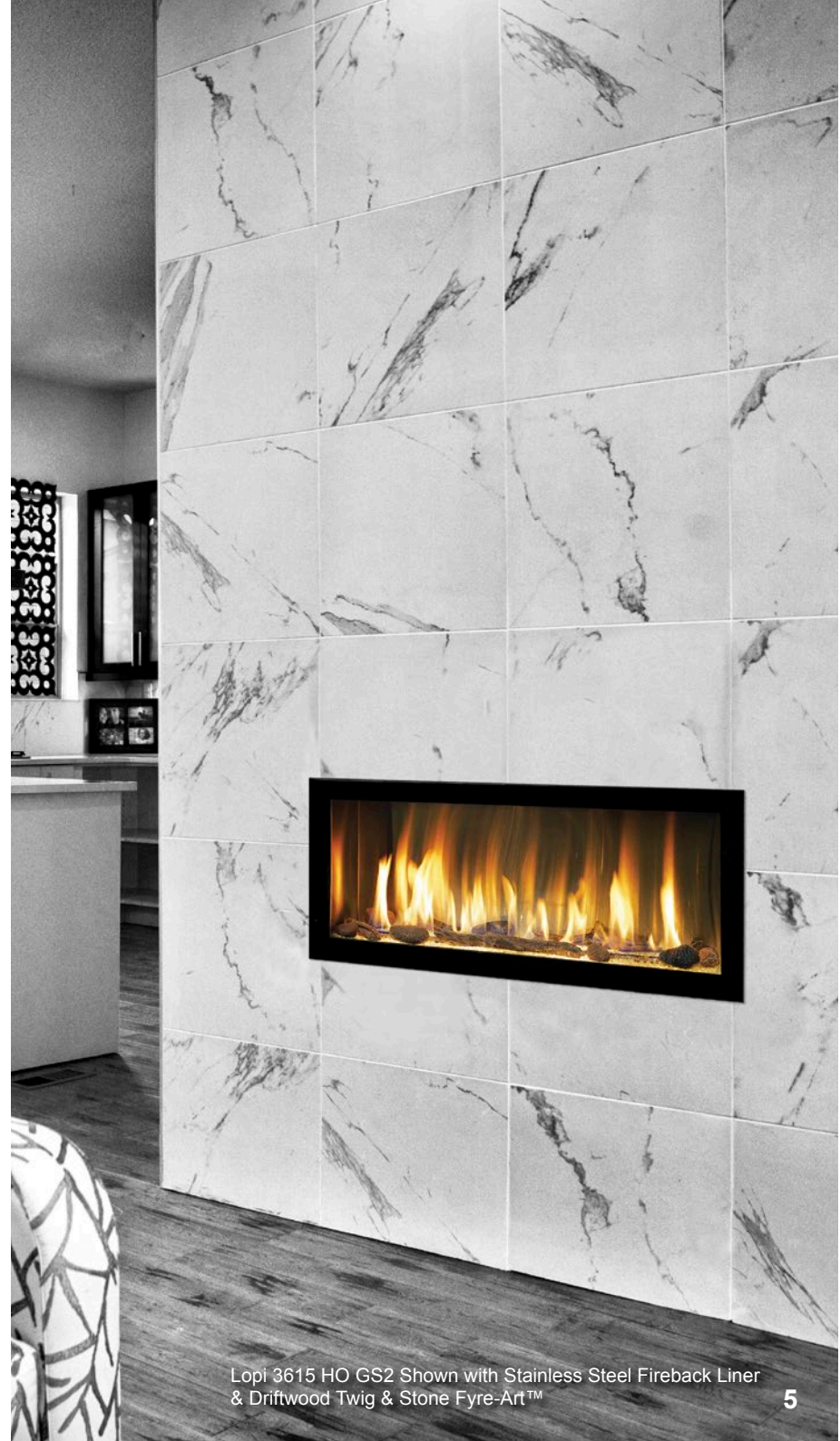
The linear range can be finished with a non-combustible tile/stone on the wall. Alternatively for a painted wall finish the entire wall can be applied with a non combustable wall lining and finished with a 50mm or 10mm finishing trim which clips into place for a clean finish.



50mm or 10mm finishing trim for use with non-combustible wall lining

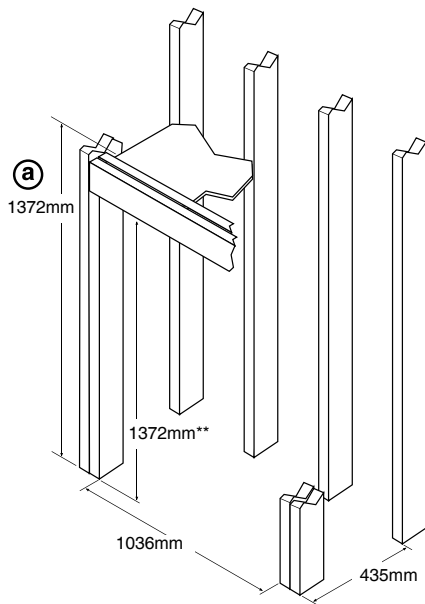
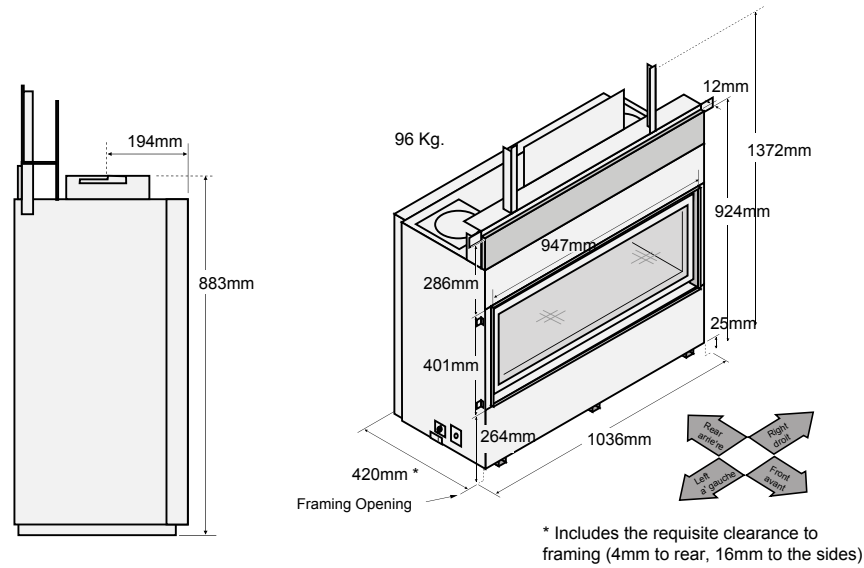


Tiled wall finish



Firebox & Minimum Framing Dimensions

3615 HO GS2

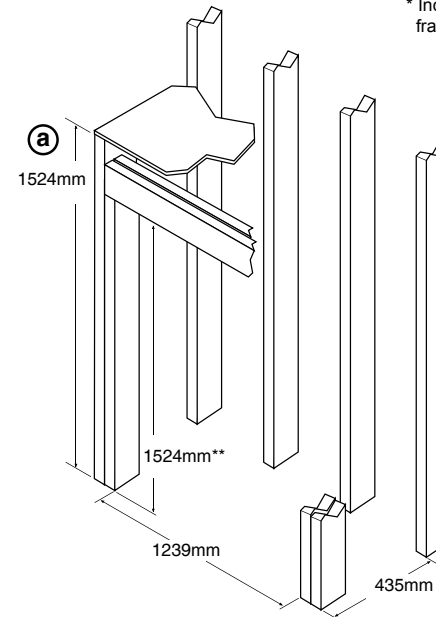
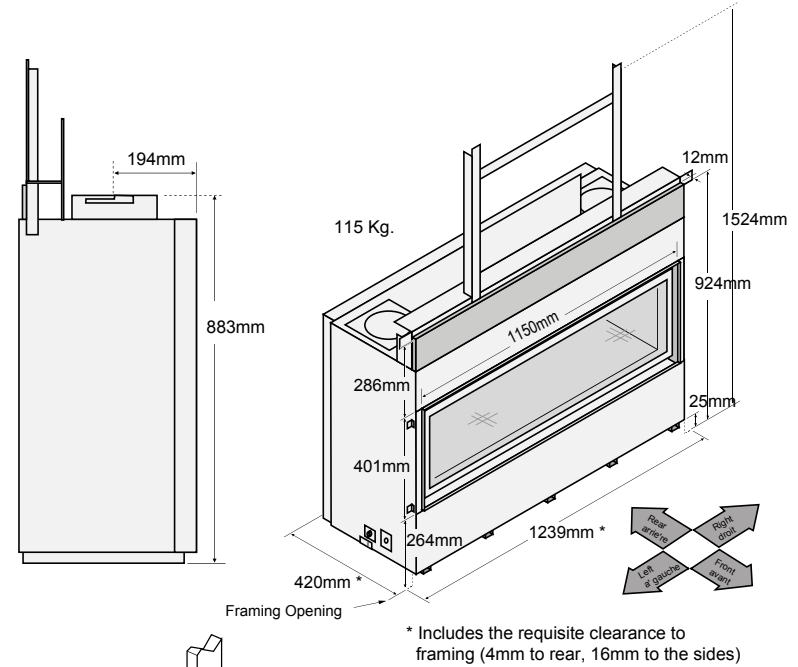


Note:
If a painted wall finish is required a non-combustible wall lining must be used in lieu of plasterboard. Please be advised that 'fire rated' plasterboard is not considered as non-combustible wall sheeting

** From base of firebox, add to this any raised base.

(a) The fireplace enclosure must be a minimum 1372mm tall (do not build into the fireplace enclosure)
See Installation Manual for full clearances

4415 HO GS2



Note:
If a painted wall finish is required a non-combustible wall lining must be used in lieu of plasterboard. Please be advised that 'fire rated' plasterboard is not considered as non-combustible wall sheeting

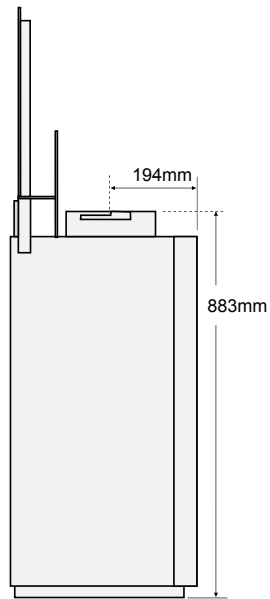
** From base of firebox, add to this any raised base.

(a) Minimum Enclosure Height 1524mm

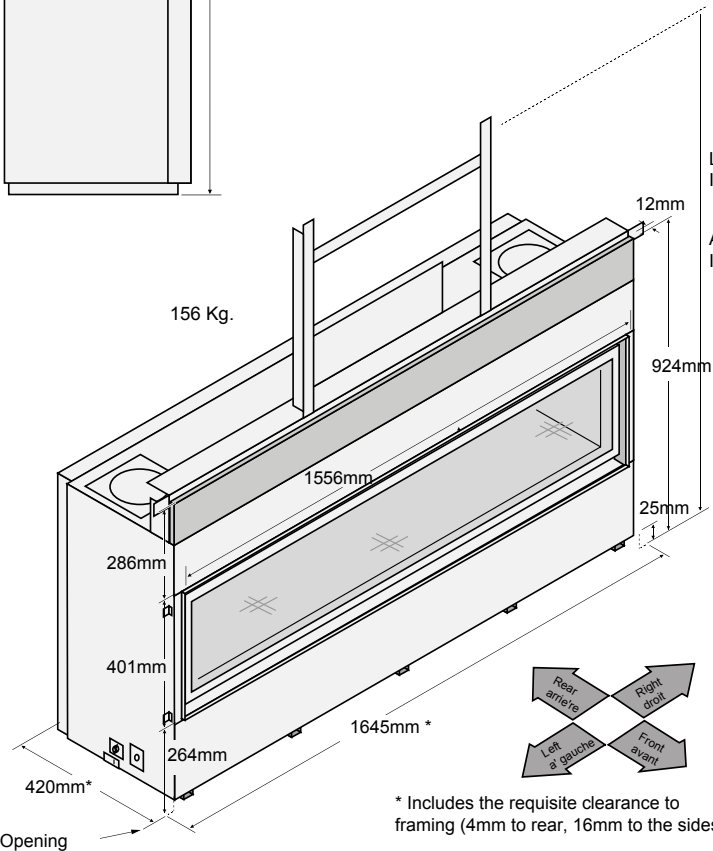
(a) The fireplace enclosure must be a minimum 1574mm tall (do not build into the fireplace enclosure)
See Installation Manual for full clearances

Firebox & Minimum Framing Dimensions

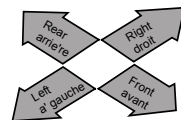
6015 HO GS2



156 Kg.

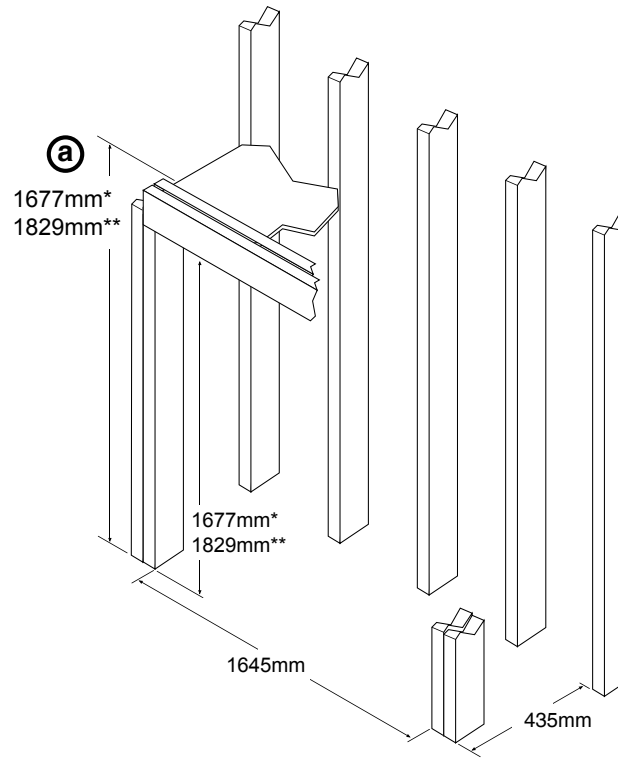


LP Min. Vent Installations: 1829mm
All Other Installations: 1677mm



* Includes the requisite clearance to framing (4mm to rear, 16mm to the sides)

Framing Opening



***NG (all configurations) or LP with 914mm Rise (or greater)**
****LP with less than 914mm Rise (Minimum of 610mm Rise)**

a The fireplace enclosure must be a minimum 1677mm* or 1829mm** tall (do not build into the fireplace enclosure)
See Installation Manual for full clearances

Note:
If a painted wall finish is required a non-combustible wall lining must be used in lieu of plasterboard. Please be advised that 'fire rated' plasterboard is not considered as non-combustible wall sheeting

Frame height from base of firebox, add to this any raised base.



FEATURING

GreenSmart 2™ Remote

A remote control supplied as standard allowing you to control the GreenSmart 2™ features

GreenSmart™ Pilot

Both electronic (IPI) & continuous (CPI) pilot modes

Accent lighting

Adding a warm glow to your fire for added atmosphere

Smart or On/Off Thermostat Modes

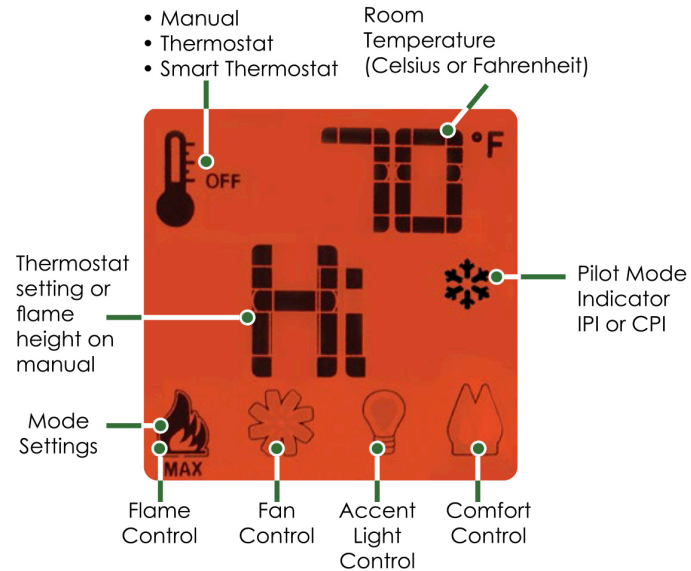
An option that automatically adjusts flame height to a set temperature and switch on/off

Variable Speed Blower

For increased transfer of convection heat



Remote Features



Explore our fireplaces and be inspired at www.lopi.com.au

Authorised Lopi Dealer:
- SPECIALIST LOPI DEALER -
HEATWORKS
COOLWORKS
 126 MAGILL RD NORWOOD // 608 NORTH EAST ROAD HOLDEN HILL



Proudly Supporting



Distributed in Australia by Dragon Wholesaling Pty Ltd
Ph. 1800 064 234
www.lopi.com.au

Note: Improper installation of your gas appliance or failure to operate it in accordance to the guidelines detailed in the installation manual may negate warranty and endanger your home and family. Installation information is available on our website at www.lopi.com.au
We recommend all Lopi appliances be installed and maintained on an annual basis by your local authorised Lopi dealer.