



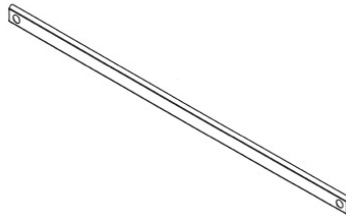
Compatibility

4415 – First 315 Units ARE NOT COMPATIBLE

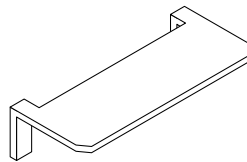
4415 fireplaces, serial number 3212-000001 through 3212-000315 are not compatible with the face (the firebox opening was not wide enough).

4415 – Early Units REQUIRE NEW CONCEALMENT COVER

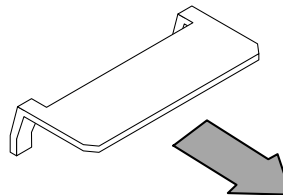
4415 fireplaces, serial number 3212-000316 through 3212-000883 used a concealment cover that is too wide for the 4415 face. If you have one of these units, contact Travis Industries to receive a revised concealment cover (part # 250-03302).



In addition, you will need to widen the two ledges the concealment cover rests on inside the fireplace. Use a screwdriver to widen the ledge as shown below.



Before



After

Facing Depth

This face has slots on the mounting plates to allow the face to accommodate various facing depths.

- Maximum Facing Depth 7/8" (23mm)
- Minimum Facing Depth 1/2" (12mm)

Face Sizing

This face extends approximately 1.75" above and below the glass opening and 4.75" on each side.

3615 = 19.675" Tall x 47" Wide 4415 = 19.675" Tall x 55" Wide 6015 = 19.675" Tall x 77" Wide

Packing List

- Top, Bottom, Left and Right Side Face Panels
- (8) 10-24 Nuts
- (4) 8-32 x 3/8" Screws

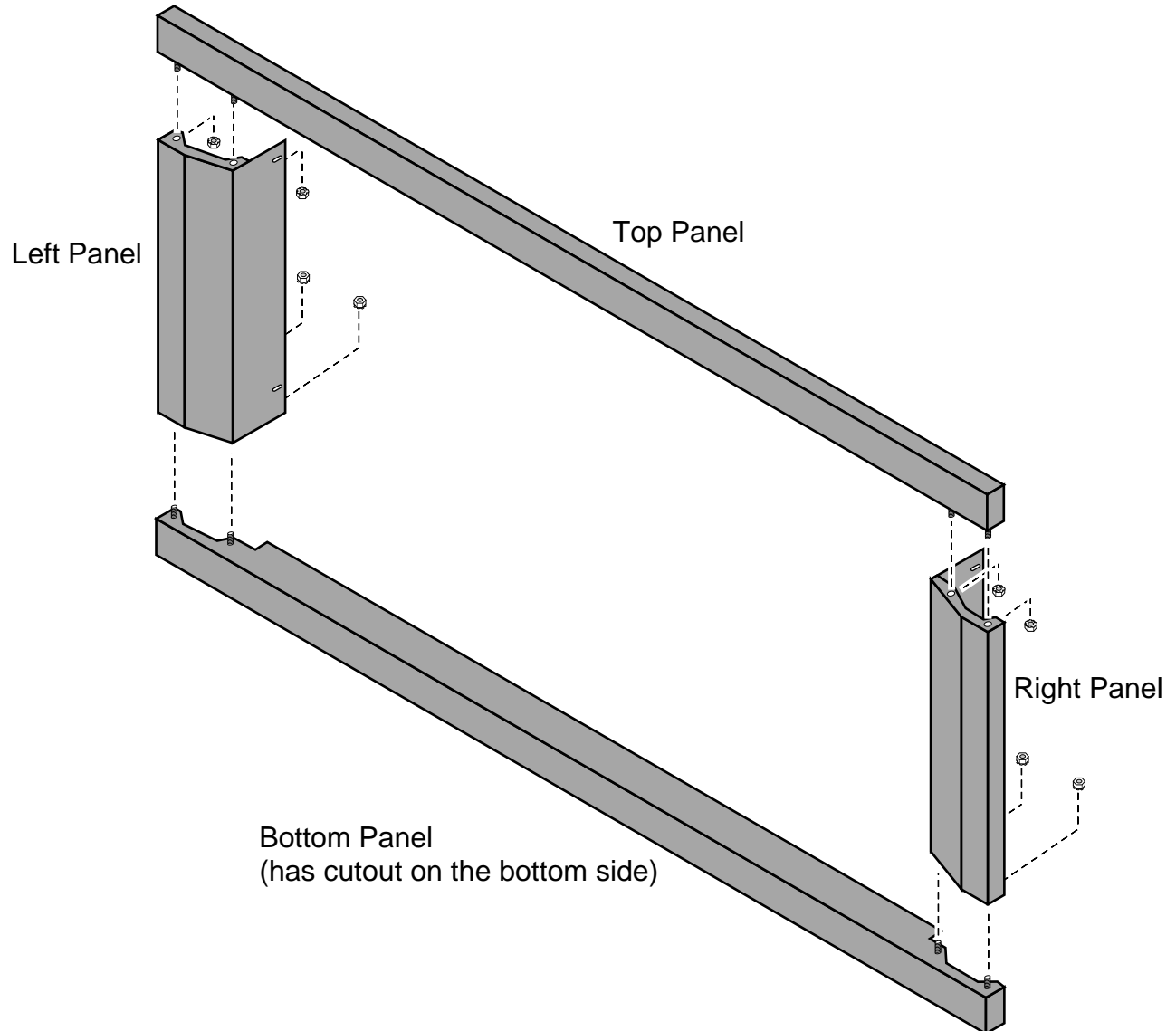


Installation

WARNING Turn off gas to the appliance and make sure it has fully cooled prior to conducting service.

- 1 The face is attached after the fireplace is in place with the non-combustible facing installed.
- 2 Assemble the face as shown below.

NOTE Each panel is unique. There is a left and right side, and a top and bottom panel. The panels are made so the face will only assemble in one manner.



- 3 Remove the screen and glass frame from the fireplace (see the installation manual for details).



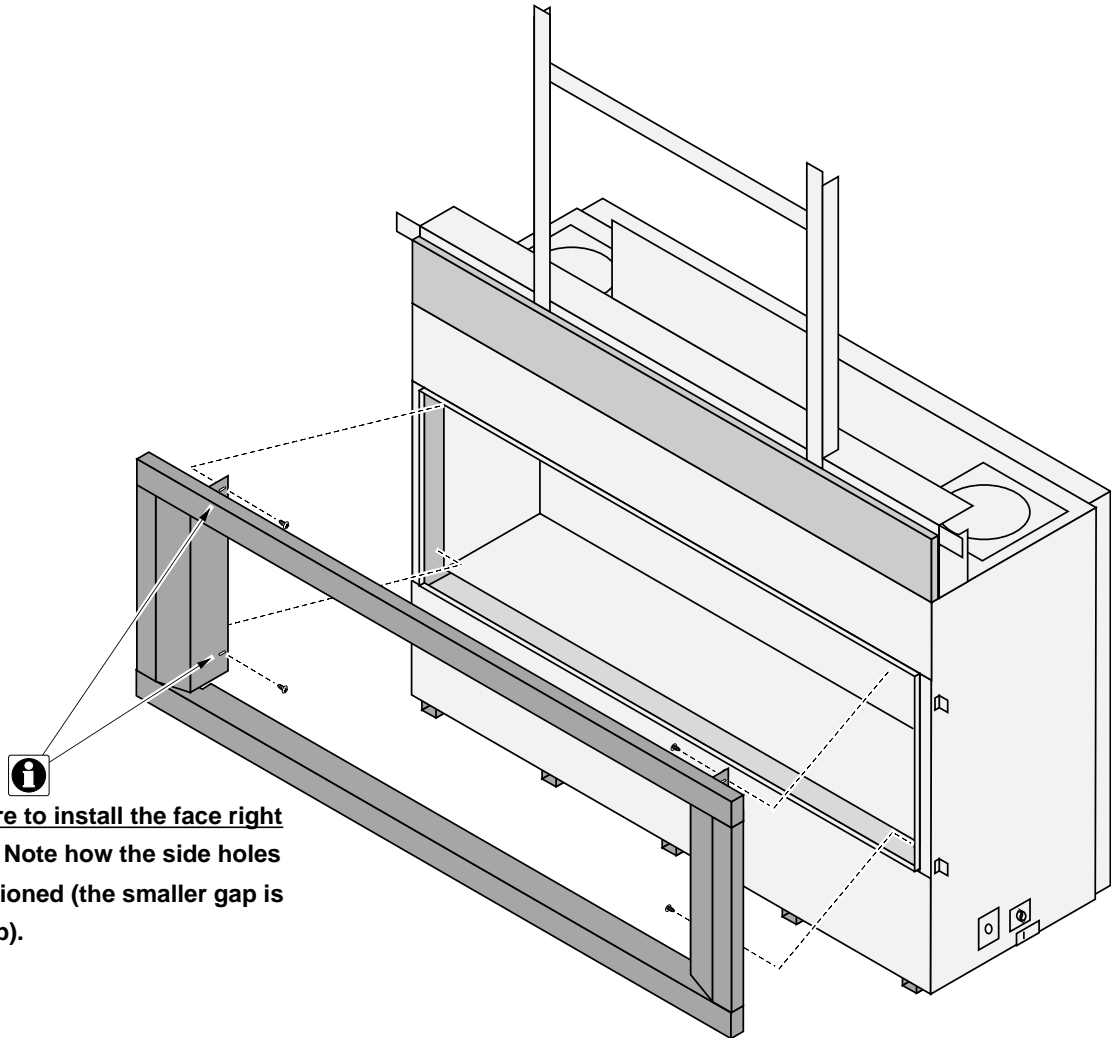
3615/4415/6015 Gallery Face

3615 HO 95900400

4415 HO 95900500

6015 95900600

- 4 Place the face in place, taking care to not scratch the surfaces. Once it is fully in place, use the included screws to secure the face to the fireplace.



Make sure to install the face right side up. Note how the side holes are positioned (the smaller gap is to the top).

When tightening the screws, push the face against the facing to ensure a seamless fit.



- 5 Restore the fireplace to the correct configuration.