



## Linear Range - TV Scenarios

TV screens above the linear range of fireplaces can be achieved in a number of ways. It is largely not recommended to position a TV directly above any of the Lopi linear fireplaces due to the large amount of radiant and convection heat produced, however it can be achieved in a number of suggested ways. Building a TV recess/niche directly above the fireplace is restricted by the minimum enclosure height of each fireplace so as an alternative a number of proposed set-up options to protect the TV are shown below.

### Scenario 1 - Double Recess

In this scenario a wall is built out from the face of the fireplace by 100mm in depth and the TV recess is created within the built out section above the fireplace. This is achieved by using the minimum mantel clearances shown in the installation manual of each fireplace.



Example shows the 4415 HO GS2

Dimensions of this example found on page 5



## Linear Range - TV Scenarios

### Scenario 2 - Shelf Above

In this scenario the fireplace is installed flush with the wall and a deflection shelf is absorbing and deflecting the heat from the fireplace away from the face of the TV above. In this example it is assumed that the shelf above is timber and therefore combustible. The mantel clearances shown in the installation manual have been used. If the shelf/deflector was a non-combustible this shelf could be lower.



Example shows the 4415 HO GS2

Dimensions of this example found on page 7



## Linear Range - TV Scenarios

### Scenario 3 - Wrap Around Wall / Shelf / Mantel

In this scenario the wall is partly built out from the face of the fireplace by 100mm in depth to create a shelf effect. This wall is then extended down creating a wrap around shelf. This example is achieved by using mantel clearances shown in the installation manual of each fireplace.



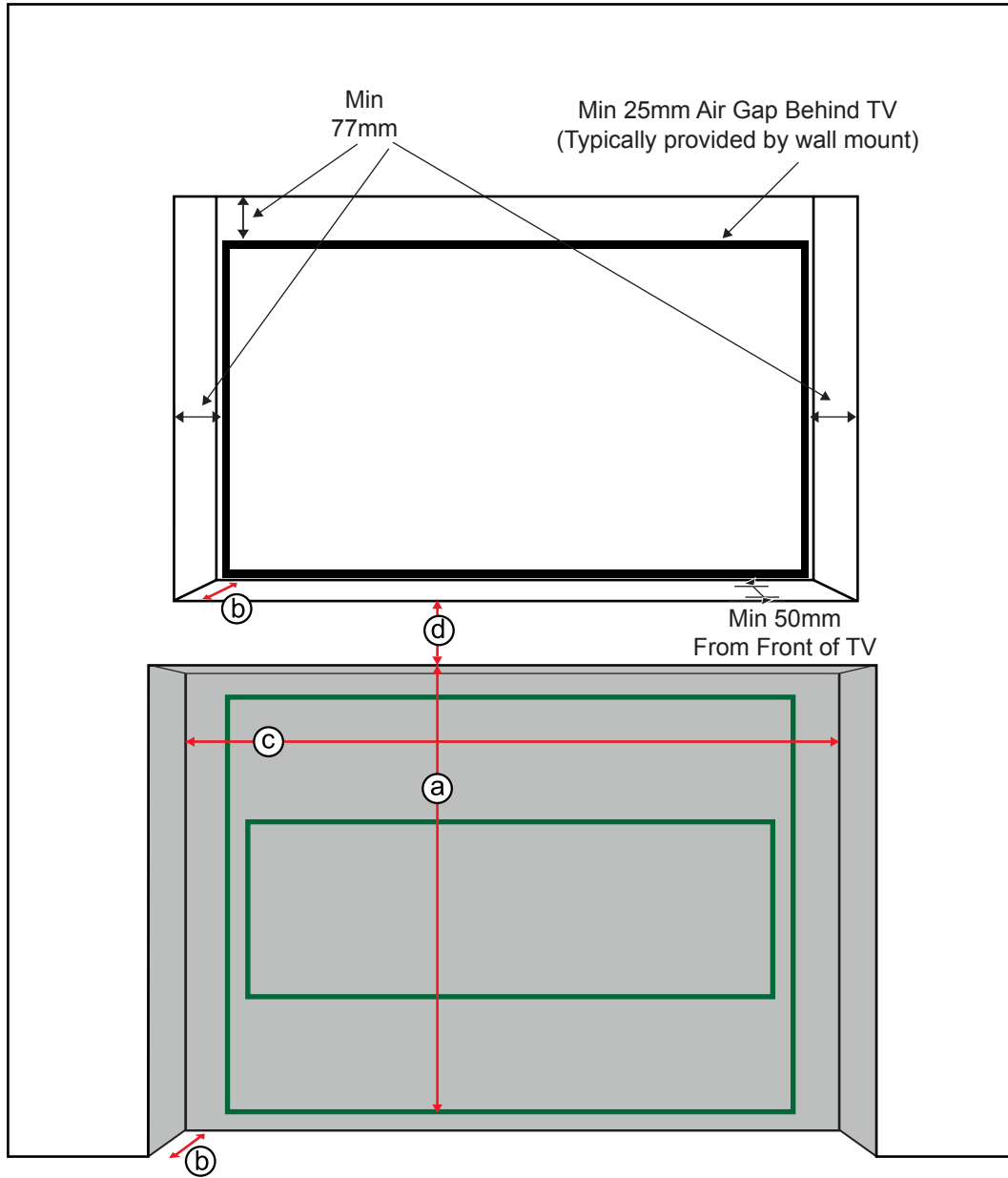
Example shows the 4415 HO GS2

Dimensions of this example found on page 8





# Linear Range - TV Scenarios

## Scenario 1 - Double Recess



### Minimum Dimensions

	Lopi 3615	Lopi 4415	Lopi 6015
(a)	1067mm*	1067mm*	1067mm*
(b)	200mm	200mm	200mm
(c)	1160mm	1360mm	1800mm
(d)	Suggested 150mm		

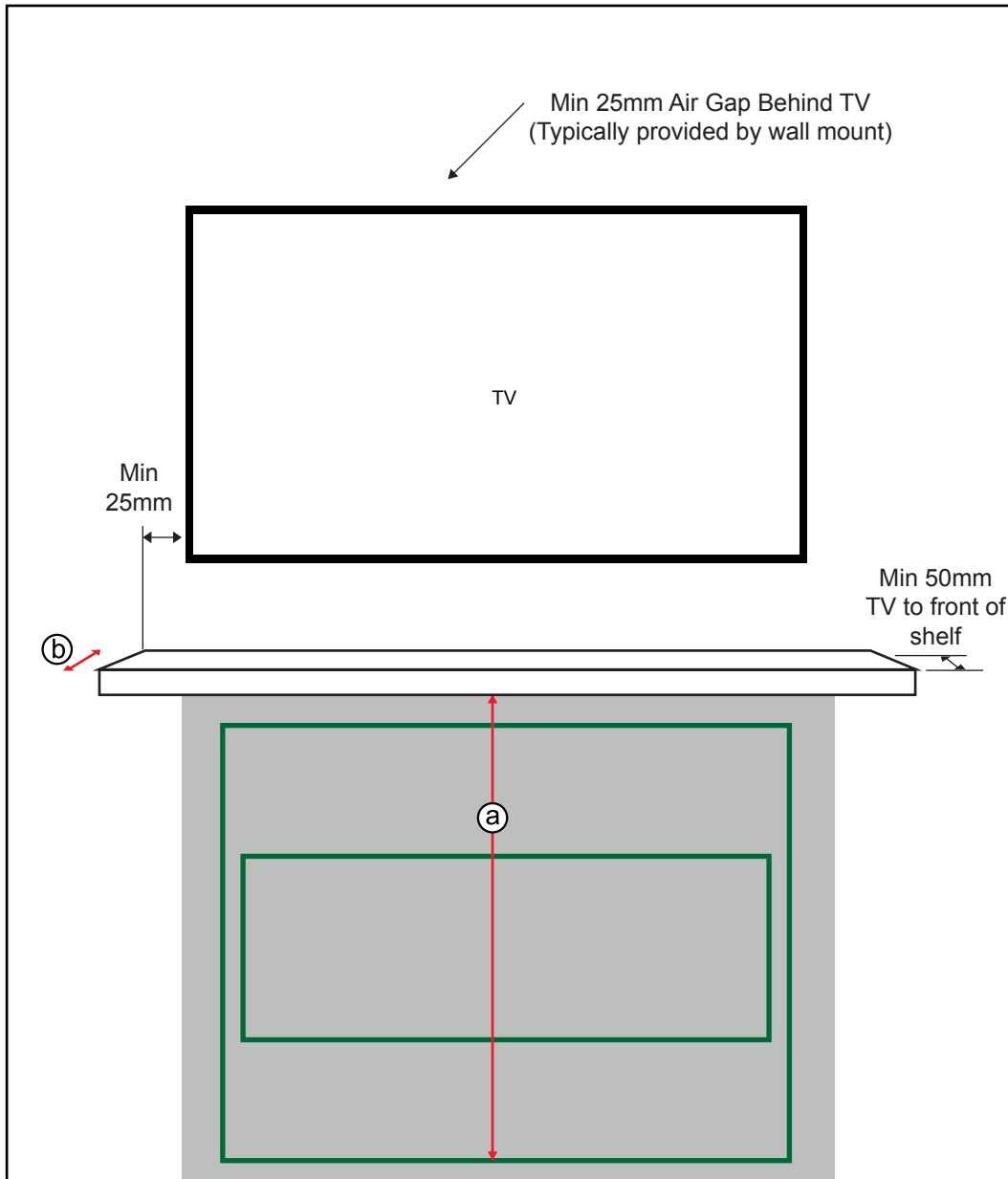
 = Firebox  
 = 9mm Non-Combustible FC Sheet/tile (Including upper & inside returns)

\*From base of firebox, based on (b) being 200mm minimum. If deeper than 200mm, opening sizes will increase. See *TV Clearances* in relevant installation manual.  
 The dimensions and suggestions shown are the minimum requirements. No responsibility will be accepted by Dragon Wholesaling Pty Ltd (Lopi Fireplaces) for damage to TV's positioned around our fireplaces.



# Linear Range - TV Scenarios

## Scenario 2 - Shelf Above



### Minimum Dimensions

	Lopi 3615	Lopi 4415	Lopi 6015
(a)	1067mm*	1067mm*	1067mm*
(b)	200mm	200mm	200mm

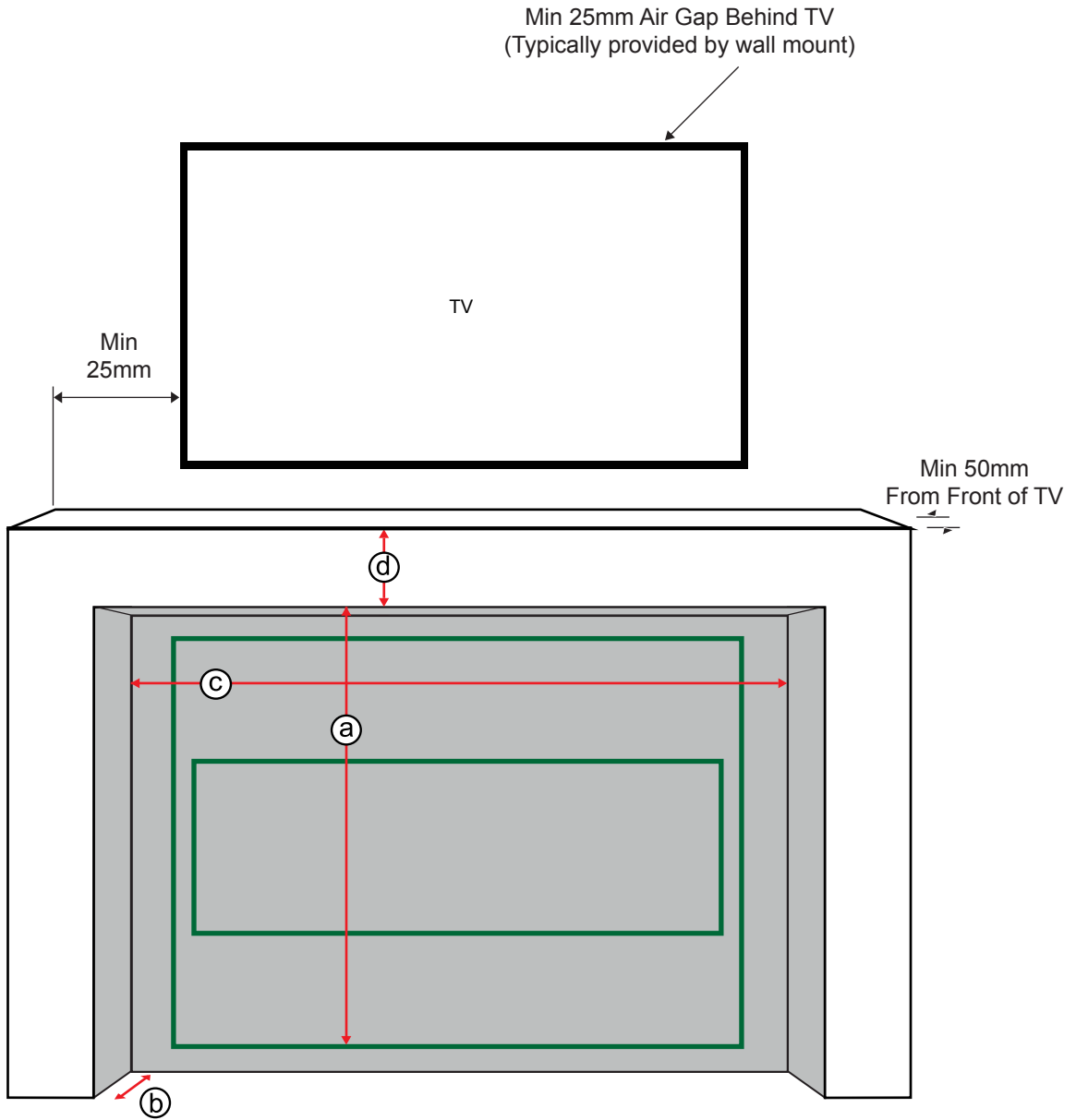
— = Firebox  
 ■ = 9mm Non-Combustible FC Sheet/tile

\*From base of firebox, based on (b) being 200mm minimum. If deeper than 200mm, opening height will increase. See *TV Clearances* in relevant installation manual.  
 The dimensions and suggestions shown are the minimum requirements. No responsibility will be accepted by Dragon Wholesaling Pty Ltd (Lopi Fireplaces) for damage to TV's positioned around our fireplaces.





# Linear Range - TV Scenarios

## Scenario 3 - Wrap Around Wall / Shelf / Mantel



### Minimum Dimensions

	Lopi 3615	Lopi 4415	Lopi 6015
(a)	1067mm*	1067mm*	1067mm*
(b)	200mm	200mm	200mm
(c)	1160mm	1360mm	1800mm
(d)	Suggested 150mm		

 = Firebox  
 = 9mm Non-Combustible FC Sheet/tile (Including upper & inside returns)

\*From base of firebox, based on (b) being 200mm minimum. If deeper than 200mm, opening sizes will increase. See *TV Clearances* in relevant installation manual.

The dimensions and suggestions shown are the minimum requirements. No responsibility will be accepted by Dragon Wholesaling Pty Ltd (Lopi Fireplaces) for damage to TV's positioned around our fireplaces.