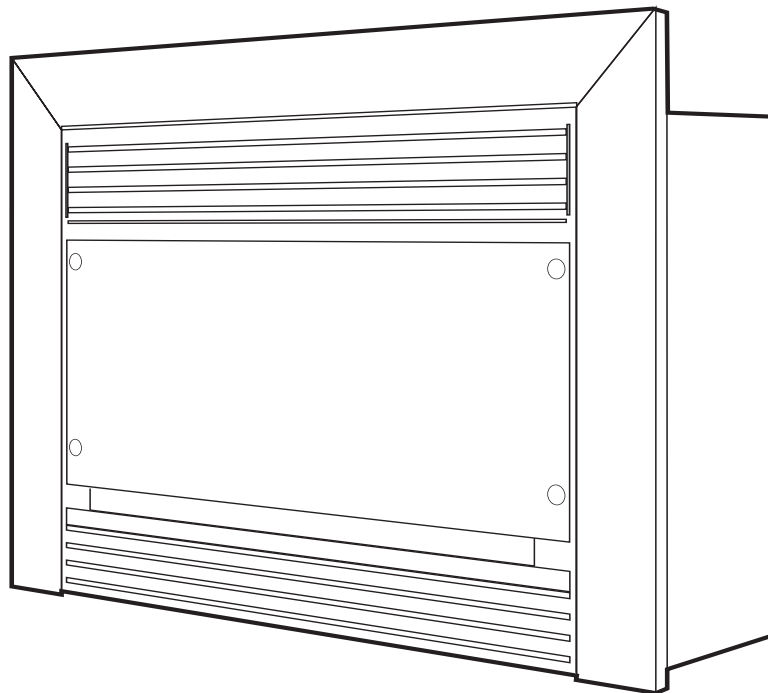


**real flame**  
the hearth of australia



## **PYROTECH DELUXE®**

### **INSTALLATION & OPERATING MANUAL**

The Pyrotech Deluxe is approved to be installed into a masonry fireplace or as a zero clearance firebox enclosed by a timber frame & plastered. The Pyrotech is approved to operate on Natural Gas and Propane (LPG) gases only. Approval Number GSCS20113.

VERSION 24

## WARRANTY

Provided your Real Flame gas fire is installed in strict accordance with our installation instructions, the firebox is unconditionally guaranteed for ten years and all other parts for twelve months from date of purchase.

This unconditional warranty covers parts and labour at our discretion taking into consideration normal wear and tear and does not cover fires installed in outdoor settings.

## WARNING

The Pyrotech Deluxe has a primary safety glass fitted in front of the glass door. This safety glass is fitted to this appliance to reduce the risk of injury from burns and at no time should this glass be permanently removed.

For protection of young children or the infirm, a secondary guard is required.

## INSTALLATION NOTICE

- The installation of this appliance is only to be carried out by an authorised person in accordance with the Manufacturer's Instructions, local gas fitting regulations, AG601 installation code for gas burning appliances and any other relevant statutory regulations.
- In all cases the installation of this appliance shall meet the requirements as set out in AS5601/AG601.

- **NOTE:** A slight smell may be apparent for the first few hours of use. This is due to the heat resistant paint curing. It is recommended to open windows in the room for the first lighting of the fire. In some instances a slight discolouration may occur inside the firebox. This is a normal condition and is not covered by warranty.

## IMPORTANT SAFETY NOTICE

- DO NOT PLACE ARTICLES ON OR AGAINST THIS APPLIANCE.
- DO NOT USE OR STORE FLAMMABLE MATERIAL NEAR THE APPLIANCE.
- DO NOT SPRAY AEROSOLS IN THE VICINITY OF THIS APPLIANCE WHILST IT IS IN OPERATION.
- DO NOT OPERATE WITH GLASS PANEL REMOVED FROM THIS APPLIANCE.
- DO NOT MODIFY THIS APPLIANCE.

## VENTILATION REQUIREMENTS

- ADDITIONAL VENTILATION IS REQUIRED ONLY IF THE UNIT IS INSTALLED IN A ROOM OF LESS THAN 10 CUBIC METRES IN SIZE - REFER AS5601 CLAUSE 5,4,3,1.

# CONTENTS

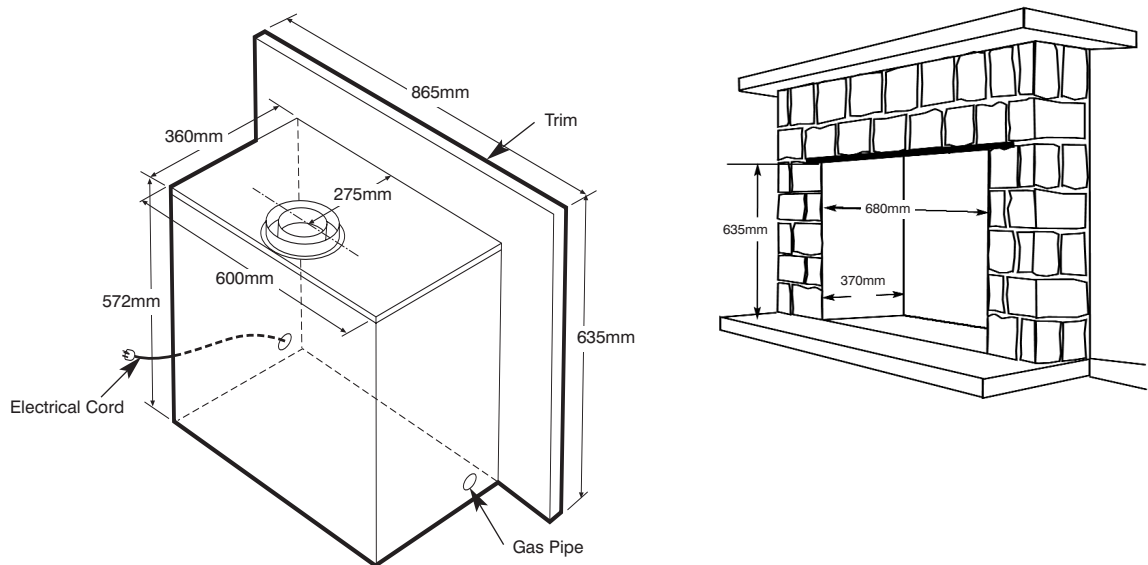
Contents.....	3
Data Plate.....	4
Inbuilt Model Dimensions/Installation Procedure .....	5
Zero Clearance Model Timber Frame Installation Procedure.....	8
Zero Clearance Model .....	9
Zero Clearance Model Assembly .....	10
Zero Clearance Model Dimensions/Installation Procedure .....	11
Dimensional Drawings .....	12
Tests to be carried out by installer .....	13
Servicing and Maintenance	
Removal of burners .....	14
Removal of fan.....	17
Removal of control module .....	17
Removal of control valve .....	18
Removal of Millennium control module .....	18
Parts List.....	19
Gas Control Assembly .....	20
Flue Termination Regulations .....	21
Remote Control Operating Guide .....	22
Optional Marble Surround Installation Procedure .....	25
Optional Mantelpiece Installation Procedure/Dimensions.....	26
Electrical Diagram.....	27
Real Flame Contact Information.....	28

## DATA PLATE

MODEL: <b>PYROTECH DELUXE</b>		WEIGHT: <b>61 kg</b>	
TYPE	INJ/SIZE	MJ/H	P.T.P.
<input type="checkbox"/> <b>NG PRIMARY</b>	2 x 1.65mm	26	1.00kPa HIGH
<input type="checkbox"/> <b>NG SECONDARY</b>	2 x 1.65mm	15	0.38kPa LOW
<input type="checkbox"/> <b>LPG PRIMARY</b>	2 x 1.0mm	26	2.60kPa HIGH
<input type="checkbox"/> <b>LPG SECONDARY</b>	2 x 1.0mm	15	0.90kPa LOW
APPROVAL NUMBER GSCS20113	SERIAL NUMBER		DATE OF MANUFACTURE

## PYROTECH INBUILT MODEL

- Unit installed into an existing “working” fireplace requires an AGA approved 150mm gas cowl. If the chimney does not draw properly, a 900mm length of flexi flue (supplied with unit) should be fixed to the flue spigot on top of the heater. The flexi flue should be fixed in the vertical position in a manner that does not allow the flue to fall or come away from the spigot.
- If the fireplace is not a working fireplace, then an approved 100mm flue system with 100mm AGA approved gas cowl should be used. (Optional extra)
- If the flue is exposed or enclosed with combustable materials, an approved 100/150mm twin skin flue is required. (Optional extra)



### Pyrotech Inbuilt Installation Procedure

- TICK BOXES
- Check chimney for correct venting of fumes
  - Position unit centrally.
  - Connect to gas supply using 15mm copper union.
  - Connect to power supply.
  - Remove glass and assemble log or pebble set as shown (Figures 1 - 12).

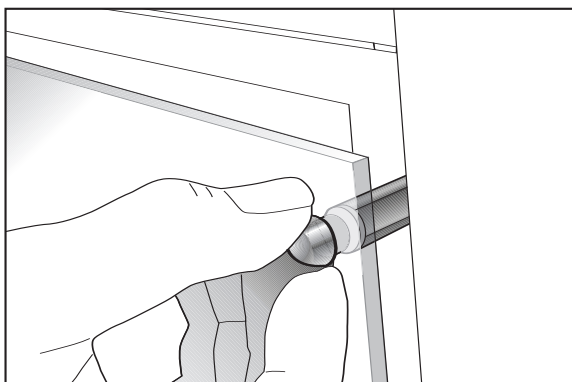


Figure (1) Remove decorative fasteners from four corners of shield glass panel.

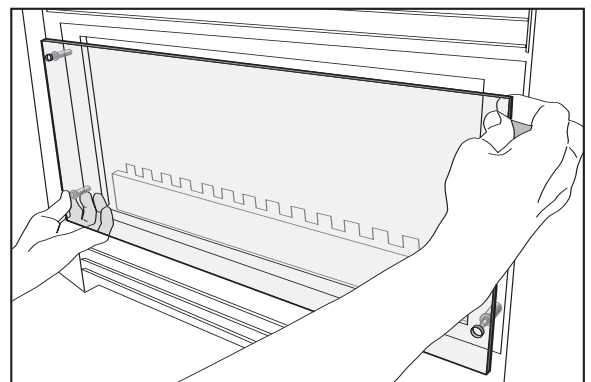


Figure (2) Remove shield glass panel.

# PYROTECH INBUILT MODEL

## Pyrotech Inbuilt Installation Procedure (continued)

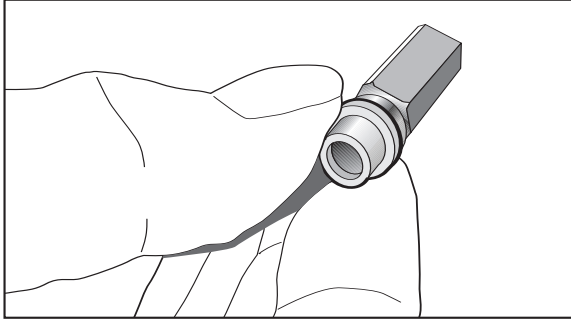


Figure (3) Remove nylon grommets and put aside carefully.

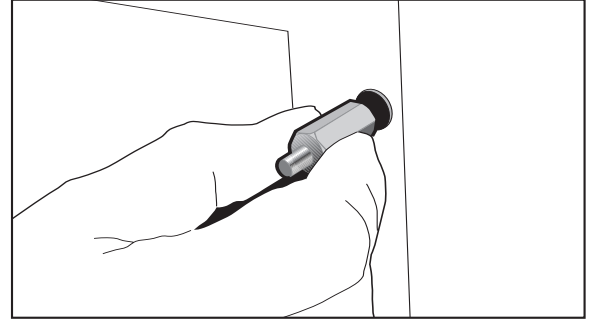
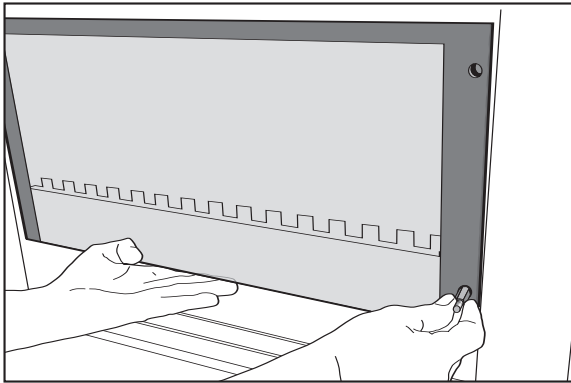


Figure (4) Remove three spacer bolts, and loosen bolt in bottom right corner.



**NOTE: Keep coals or pebbles clear of burner rail.**

Figure (5) Support front glass as shown, and remove fourth spacer bolt. Remove front glass.

Re-installation of glass panels is reverse of above. **N.B: ensure that the roped edge of the glass is fitted to the top.**

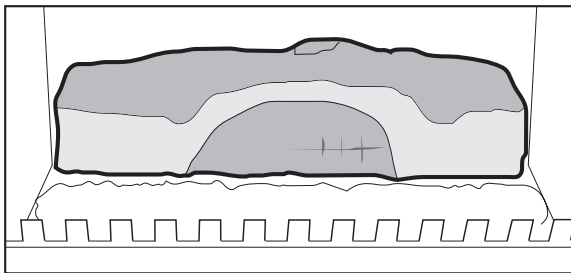


Figure (6) Remove box containing logset, and unpack. Place the large log at the rear of the burner just in front of the 2 square tabs on the log support panel.

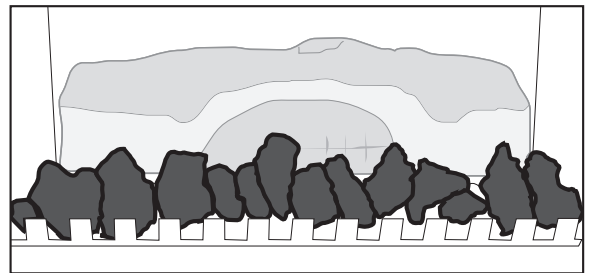


Figure (7) Place the 14 large coals and 8 small coals on top of the white ceramic blanket. Ensure front row of coals are placed 10 - 12mm away from the front grille.

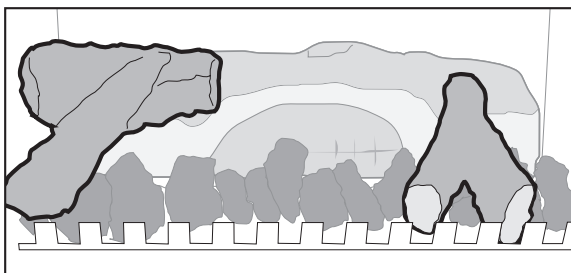


Figure (8) Place the 2 'Y' shaped logs as shown, the larger on the left. Position the 'Y' end of the logs towards the front of the heater.

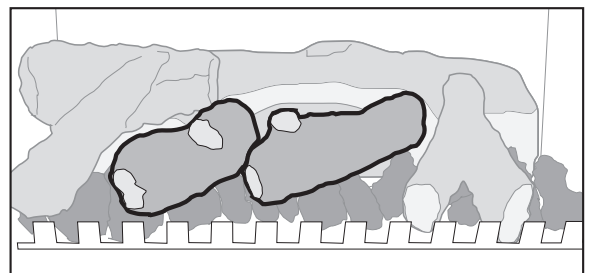


Figure (9) Place the 2 straight logs as shown

## PYROTECH INBUILT MODEL

### Pyrotech Inbuilt Installation Procedure (continued)

**The Pyrotech Space Heater (Natural Gas Only) is approved for use with Pebbles.**

To install the Pebbles follow the installation instructions as per Figures 1 to 5 above, and then proceed as follows (Figures 10 to 12).

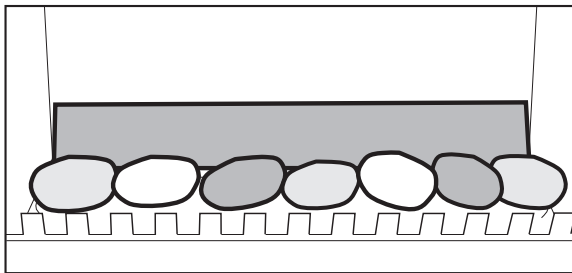


Figure (10) Install the metal angle at the rear of the fireplace and place one row of pebbles behind the burner rail.

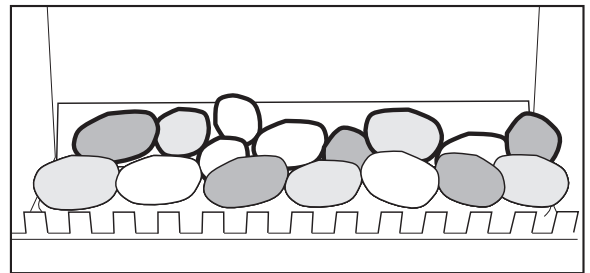


Figure (11) Place pebbles between the first row and the angled tray.

**Note: Keep pebbles clear of burner rail.**

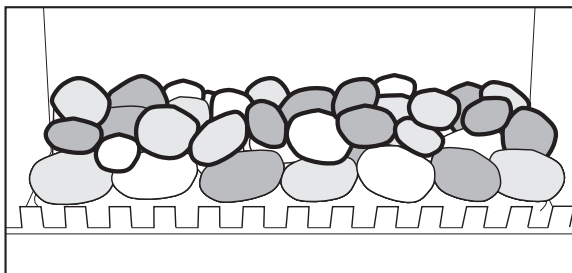


Figure (12) Place remaining pebbles up the angle of the rear tray so as the tray is hidden.

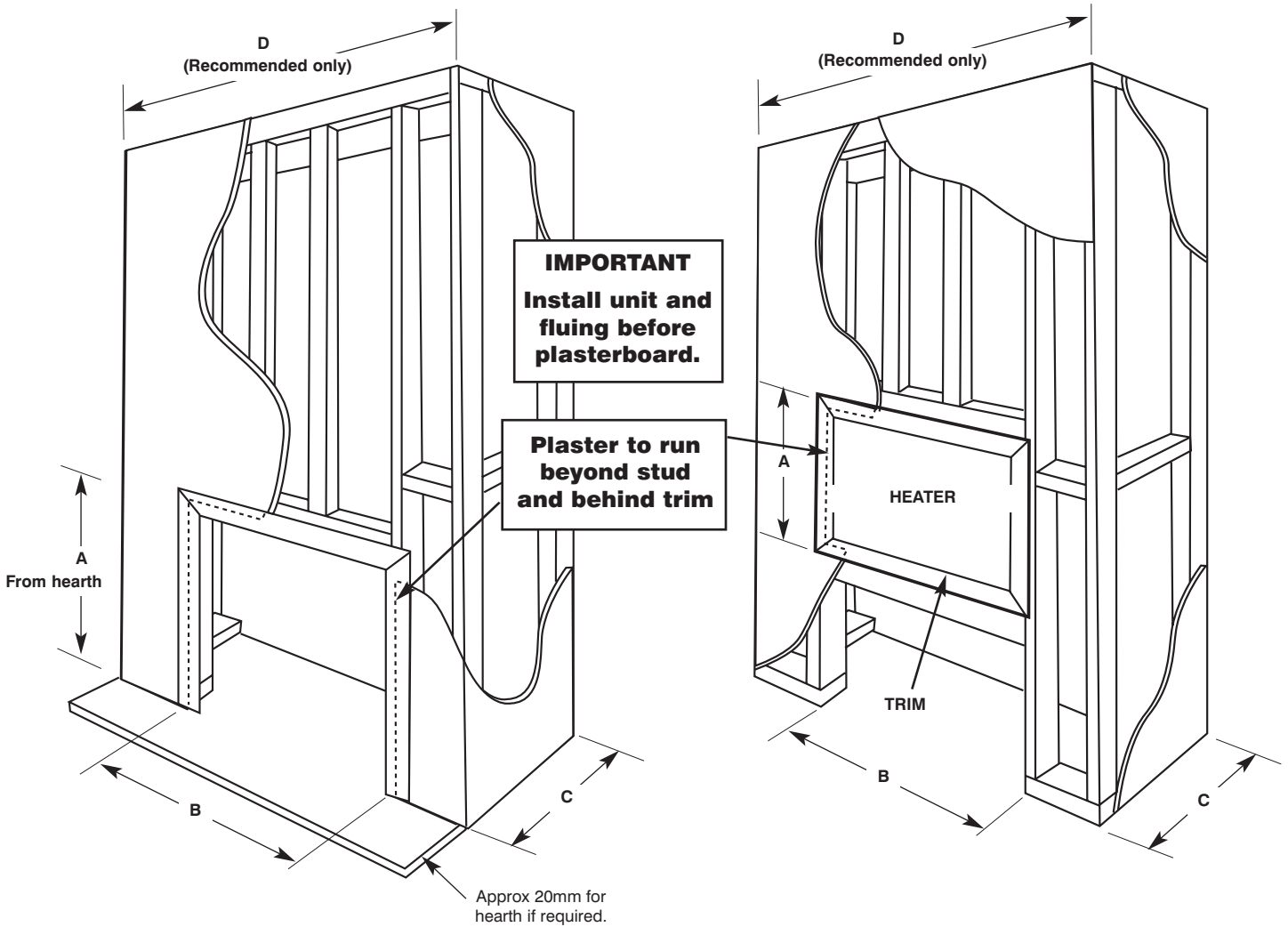
**Note: If a coals only configuration is being used, use the same set up as pebbles.**

#### TICK BOXES

- Replace the glass front to its original position.
- Fit the trim to the front of the heater.
- Light the unit following the procedure on page 22-24.
- Install the 150mm AGA approved gas cowl where using the chimney to vent the fumes.
- Test the unit for safe operation and show customer correct operating procedures.
- Test for spillage.
- Perform pressure test.

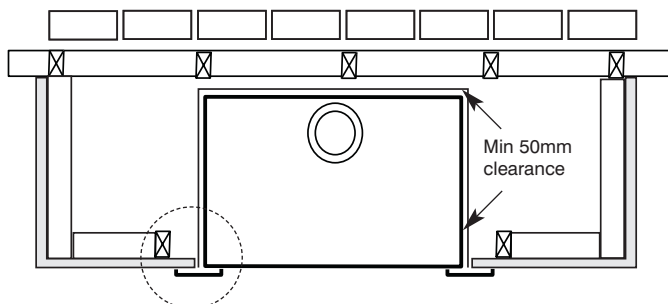
# PYROTECH ZERO CLEARANCE MODEL

## Pyrotech Zero Clearance Timber Frame Installation



**NOTE:** Note: If fire is to be installed off the floor with 4 sided trim, use same A, B, C and D dimensions as shown with frame work included below fire to required height.

A	B	C	D
750	775	450	1800



**NOTE**

Plasterboard to run beyond stud as shown, and to go behind fixing flange on unit.

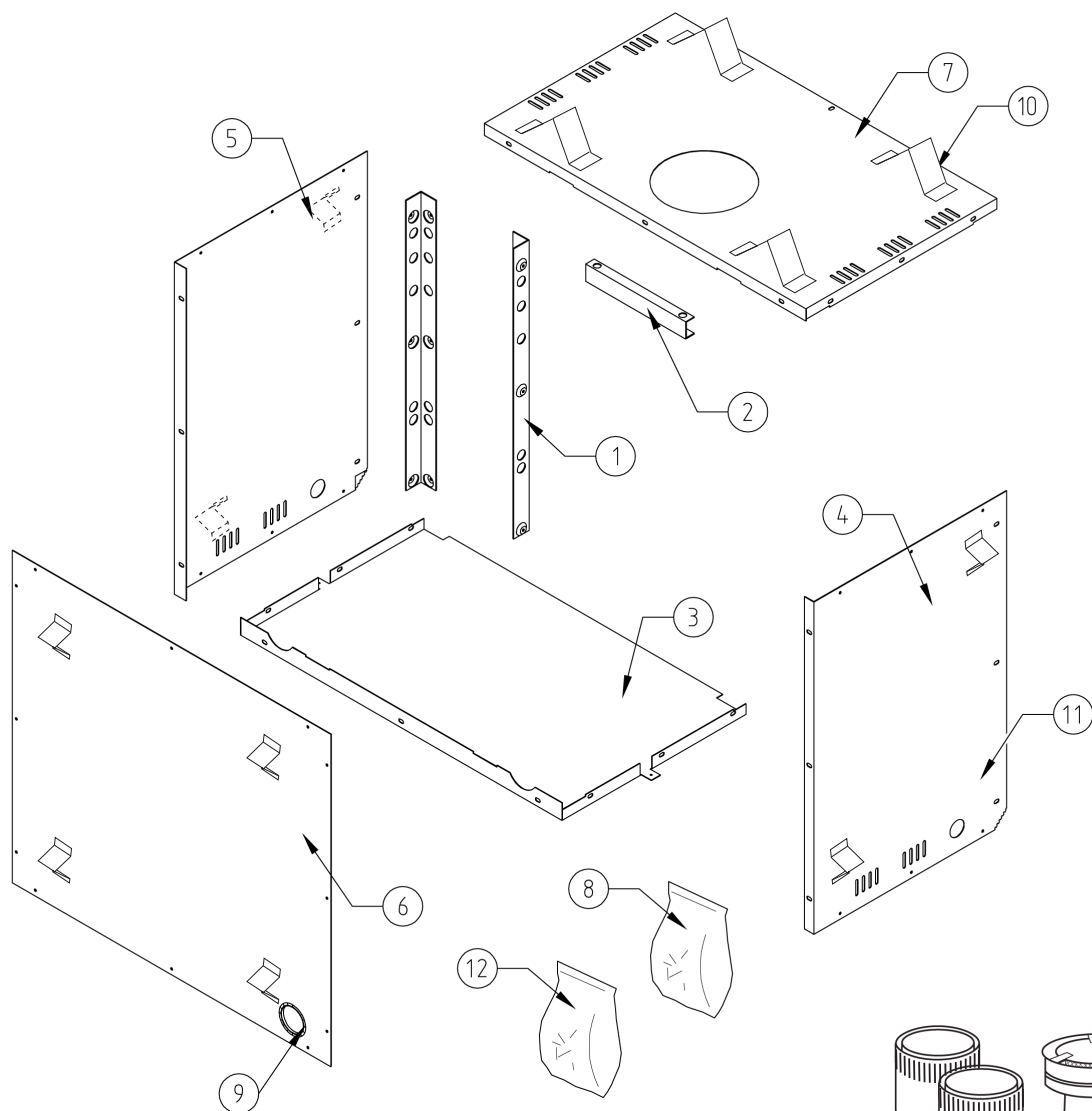
**CLEARANCES FROM COMBUSTIBLES**

Floor	0 mm
Sides	50 mm
Top	100 mm
Flue Outer	50 mm



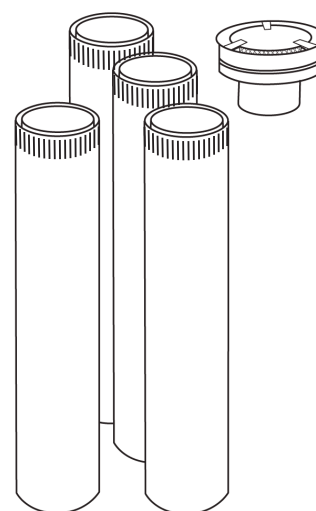
## PYROTECH ZERO CLEARANCE MODEL

1. Position the Pyrotech firebox in the selected installation position in the room.
2. You will require the Zero Clearance Kit to suit, which is to be fitted to the main fire box as shown on page 10.



### ZERO CLEARANCE KIT COMPONENTS

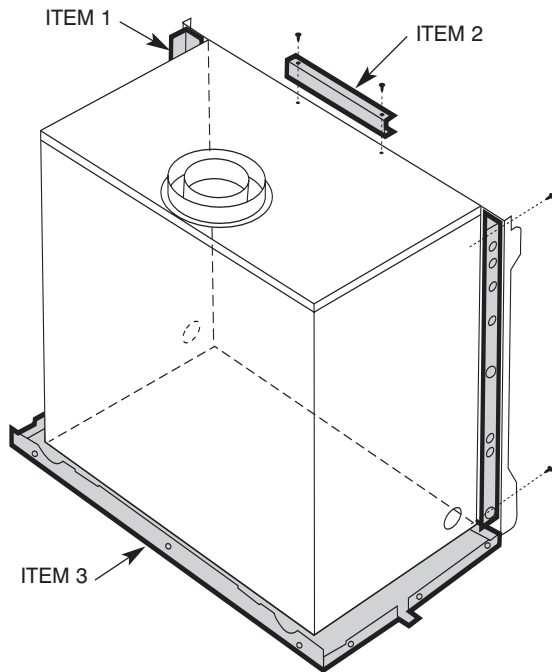
No.	Description	Qty
1	Panel – Side Strip	2
2	Panel – Top Strip	1
3	Panel – Base	1
4	Panel – Side L/H	1
5	Panel – Side R/H	1
6	Panel – Rear (with cord protector around large hole)	1
7	Panel – Top	1
8	Plastic Bag (Containing screws 35 off)	1
9	Cord Protector in place (154mm long)	1
10	100mm Stand Off	4
11.	50mm Stand Off (2 x RH + 2 x LH)	4
12.	25mm Stand Off	4
12.	Plastic Bag Self Tapping Screws	1



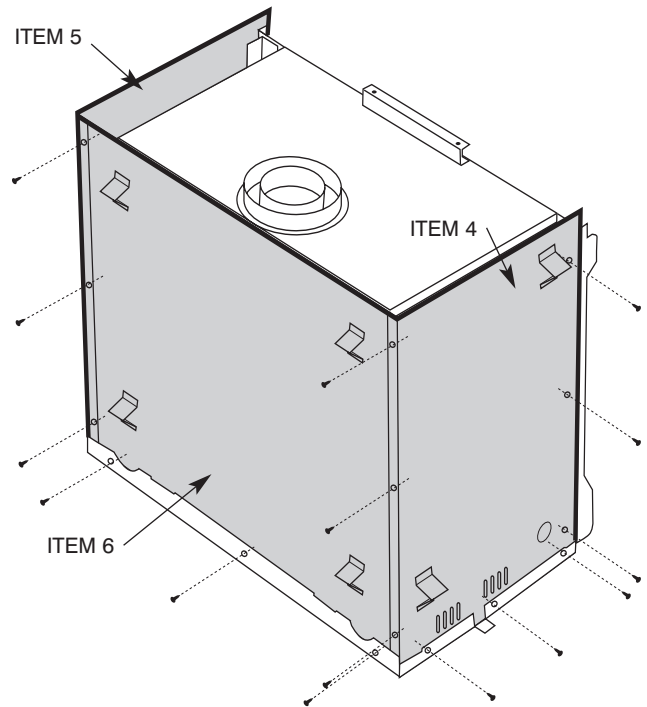
### FLUE KIT

## PYROTECH ZERO CLEARANCE MODEL

Fit Zero Clearance Kit to unit as shown below:

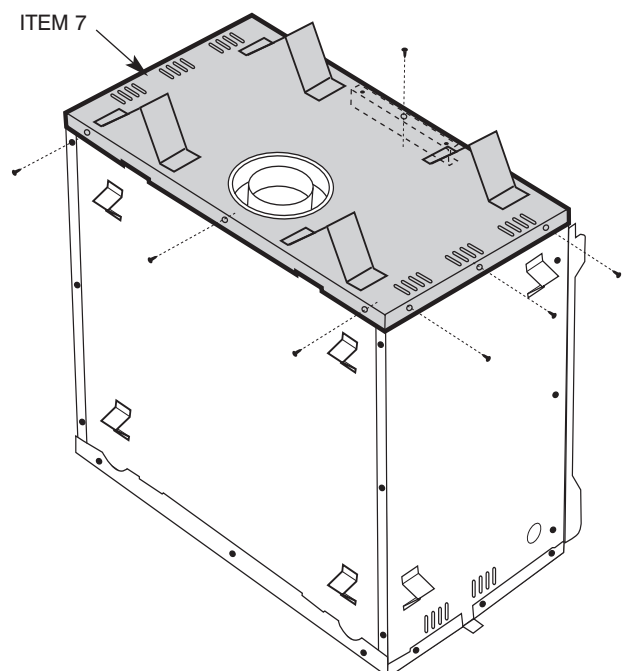


1. Secure side strips (Item 1) to side brackets on fire box using screws (2 off per side strip). Remove 2 top screws in fire box and place top strip (Item 2) into position and secure using 2 screws. Place base panel (Item 3) under fire box.



2. Place LH side panel (Item 4) in behind lip of base panel. Secure side panel to side strip and base panel in 6 places. Repeat for RH side panel (Item 5). Place rear panel (Item 6) in behind folds on side panels and base panel. Secure rear panel using screws 9 off.

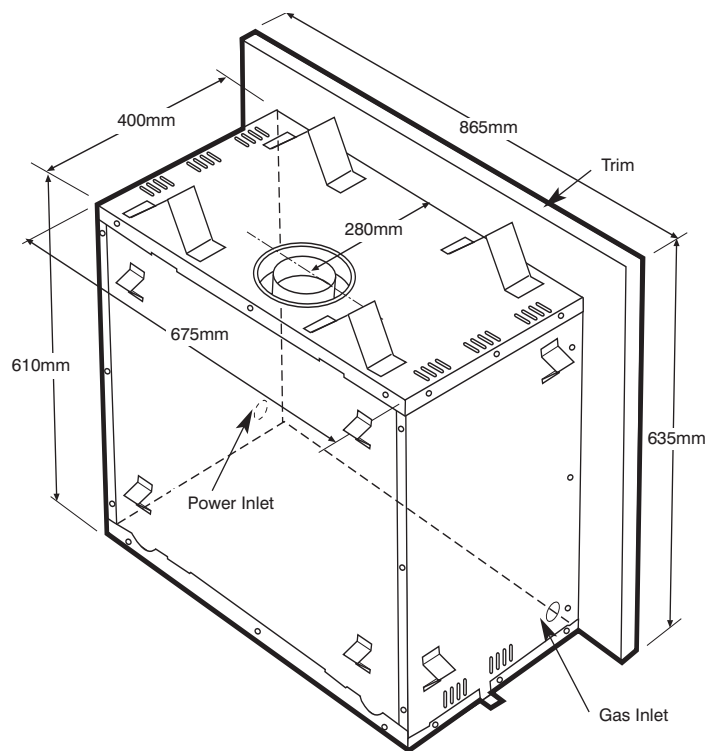
3. Place top panel (Item 7) onto assembly. Ensure all other panels sit behind folds on top panel. Secure top panel 9 places around edge and 1 screw on the top in the centre passing through hole in top strip as shown.



# PYROTECH ZERO CLEARANCE MODEL

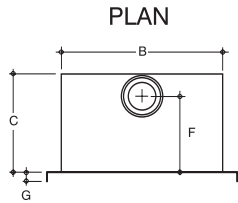
## Pyrotech Zero Clearance Installation Procedure

- TICK BOXES
- Connect to gas supply.
  - Connect to power supply
  - Install flue to 500mm minimum above roof line. (Min total flue run 3.6 m)
  - Plaster to unit with trim removed.
  - Install trim.
  - Assemble unit as per pages 5 - 7.
  - Test the unit for safe operation and show customer correct operating procedures.

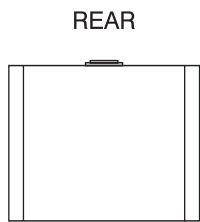
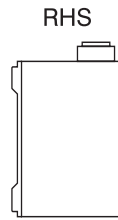
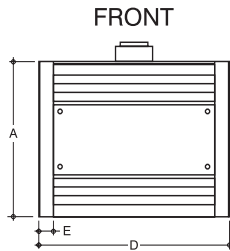
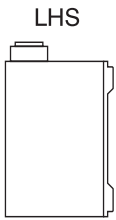


# DIMENSIONS

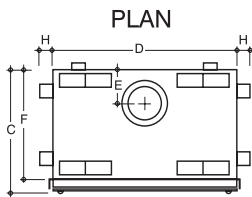
## Pyrotech Inbuilt



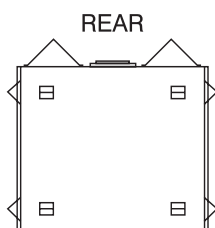
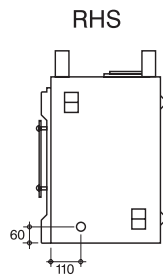
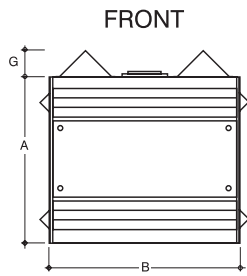
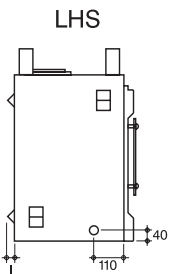
A	B	C	D	E	F	G
570	592	360	700	54	275	35



## Pyrotech ZC

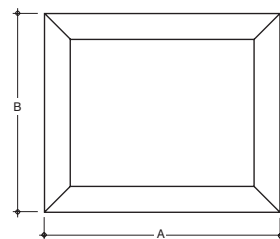


A	B	C	D	E	F	G	H	I
610	700	464	675	125	402	95	45	25

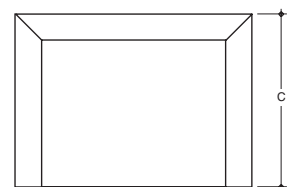


## Trim

FRONT - 4 SIDED



FRONT - 3 SIDED



A	B	C
865	730	635

## TESTS TO BE CARRIED OUT BY INSTALLER

- Check unit for gas leaks.
- Ensure that both high and low pressures are set as per the appliance data plate. Refer Page 20 for adjustment and Test pressure points
- Turn the unit on to ensure it operates correctly.
- Instruct the customer on the use of the remote control . Refer to remote control operating guide.

## SERVICING AND MAINTENANCE

■ To follow when servicing, removing fan or changing valve or control modules.

**IMPORTANT: POWER MUST BE ISOLATED PRIOR TO CARRYING OUT THE SERVICE/MAINTENANCE.**

**SERVICE/MAINTENANCE ONLY TO BE CARRIED OUT BY AN AUTHORISED PERSON.**

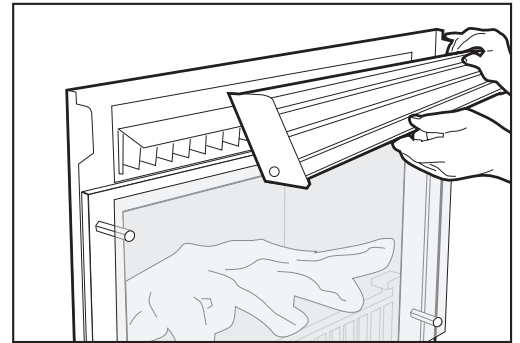


Figure (1) Remove top louvre panel. The top panel is held by a screw each side.

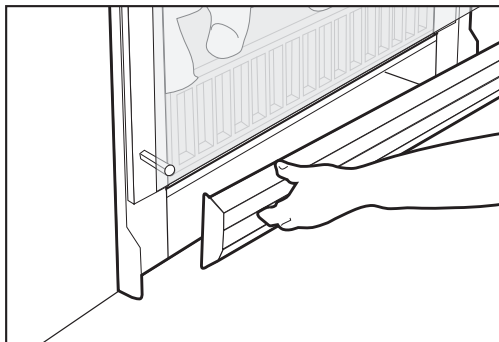


Figure (2) Remove bottom panel by opening door and pulling back location pin.

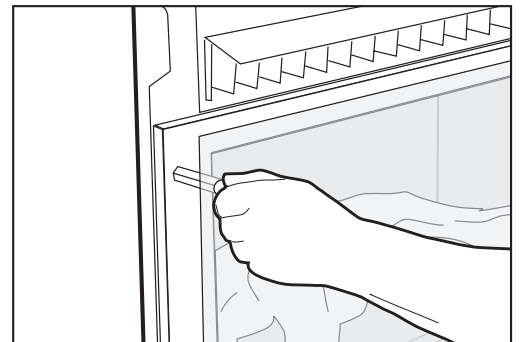


Figure (3) Remove front safety glass by firstly removing four dome nuts.

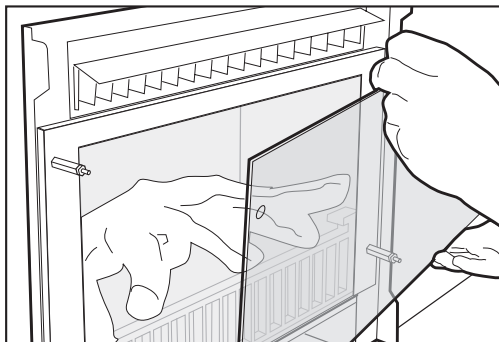


Figure (4) Remove glass from its location, be sure to avoid breakage or damage to the glass when removing.

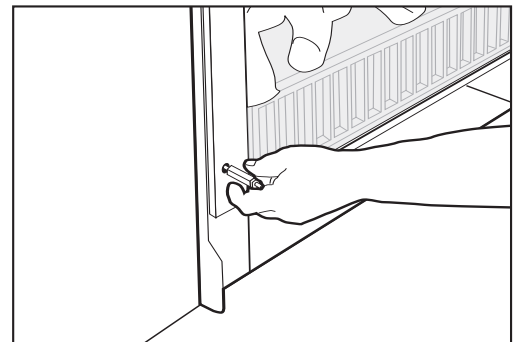


Figure (5) Remove four door studs used to secure the door.

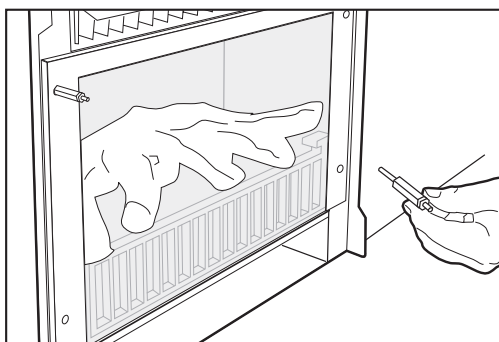


Figure (6)

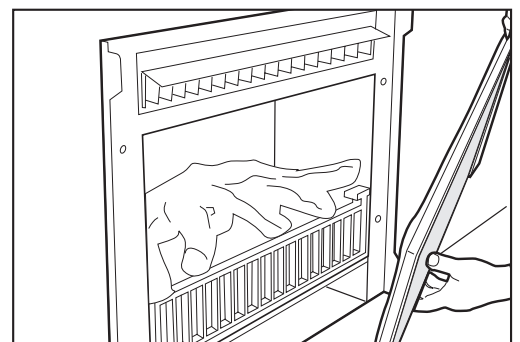


Figure (7) Remove door carefully to prevent damage or breaking of glass.

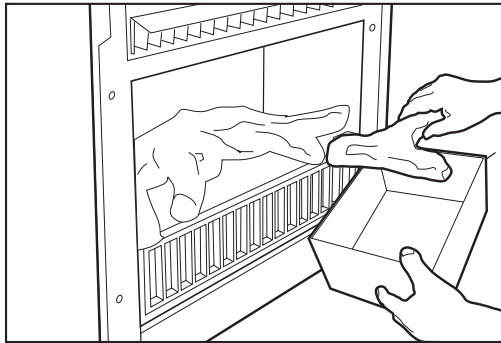


Figure (8) Remove coals/logs or pebbles and securely store to prevent damage.

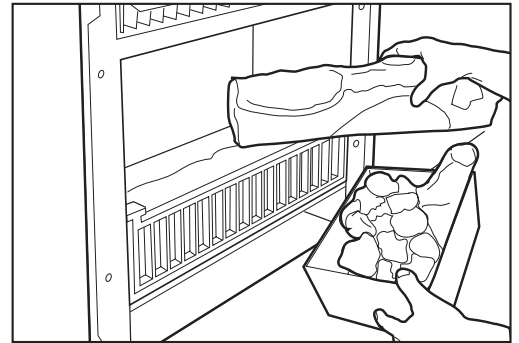


Figure (9)

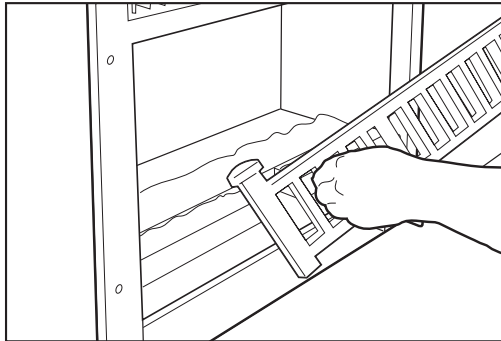


Figure (10) Remove front iron from burner.

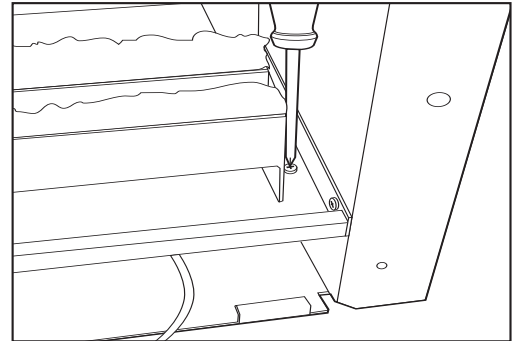


Figure (11) Remove burner holding screws on each side of burner.

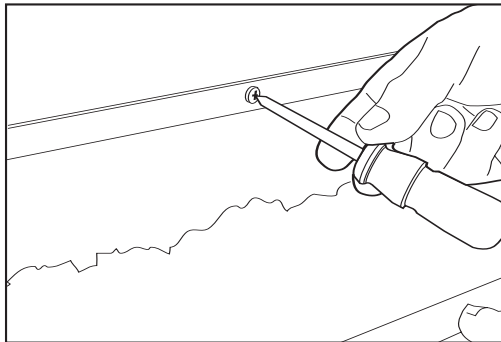


Figure (12) Remove log positioning panel screw at rear of firebox.

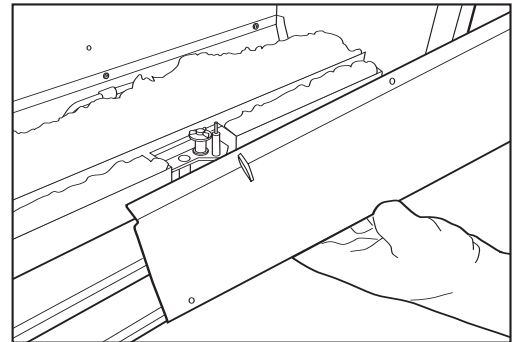


Figure (13) Remove log positioning panel.

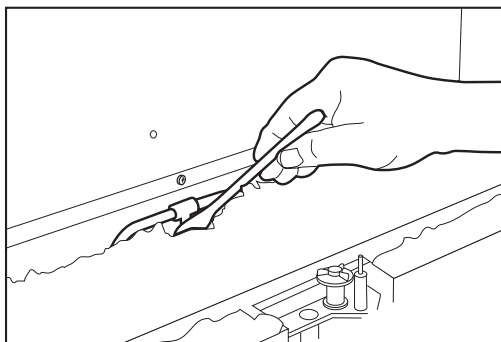


Figure (14) Undo burner tube nut using 15mm spanner.

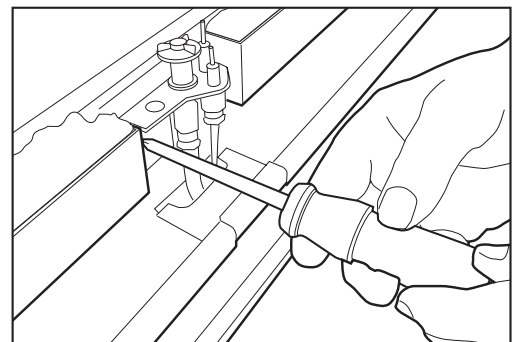


Figure (15) Remove the two pilot screws to disconnect pilot.

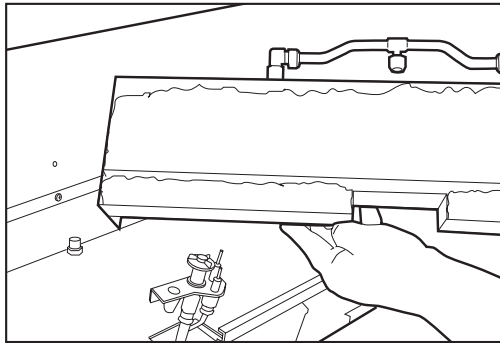


Figure (16) Remove burner from firebox

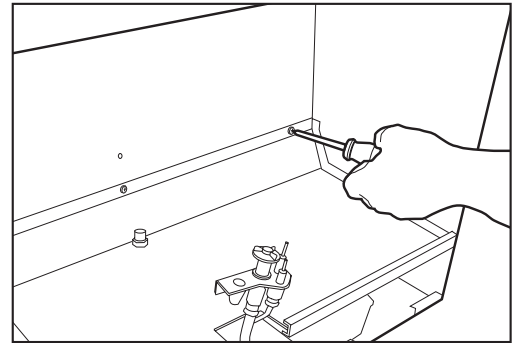


Figure (17) Remove the nine screws securing the base to the firebox from the back of the base...

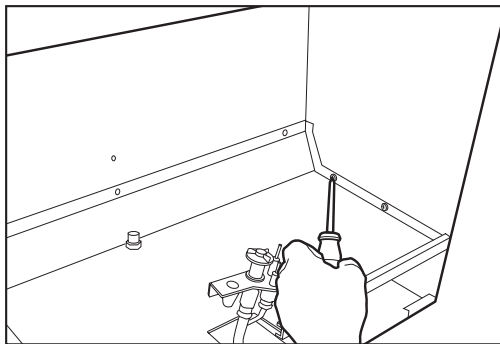


Figure (18) ...and the sides of the base.

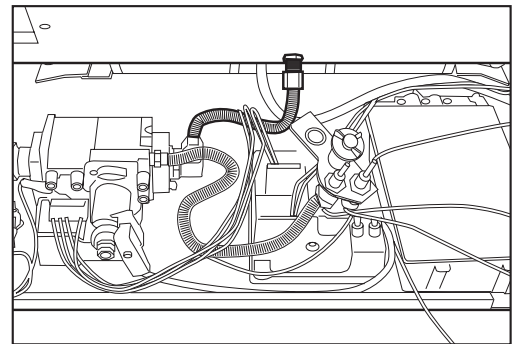


Figure (19) Lift the base plate to expose the flexi burner tube.

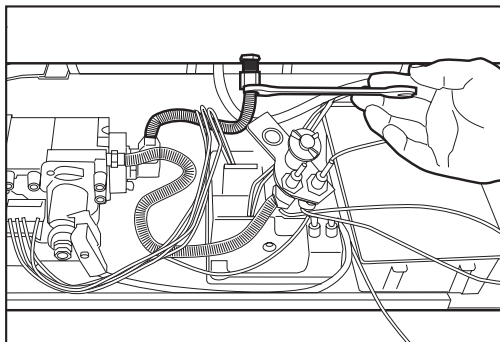


Figure (20) Undo the flexi tube from the bulk head.

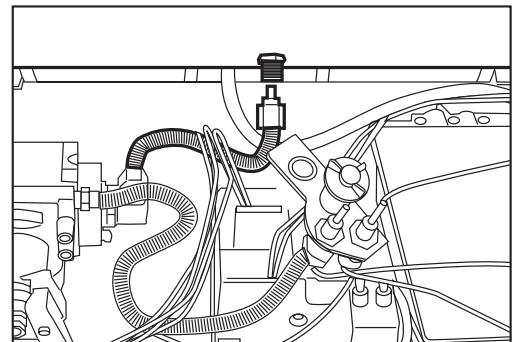


Figure (21) When the flexi tube has been unscrewed...

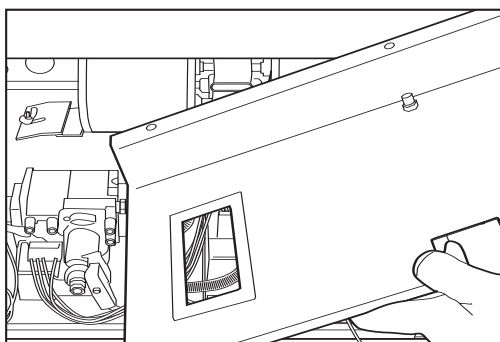


Figure (22) ...remove the base plate from the firebox.

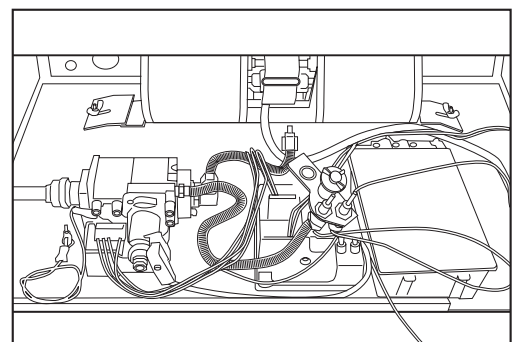


Figure (23) Once the base plate has been removed, all controls are exposed for servicing.



## Removal of Fan

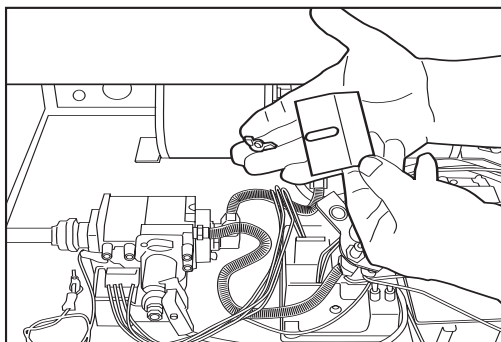


Figure (1) Remove the wing nuts from each side of fan and remove holding plates.

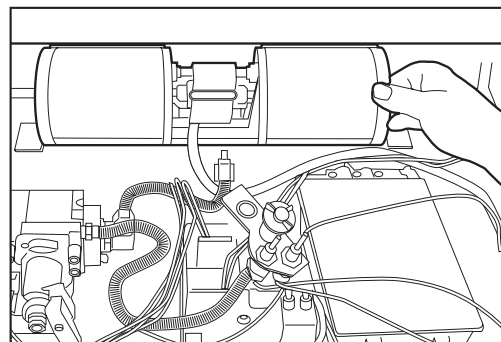


Figure (2) Tilt fan back and slide out.

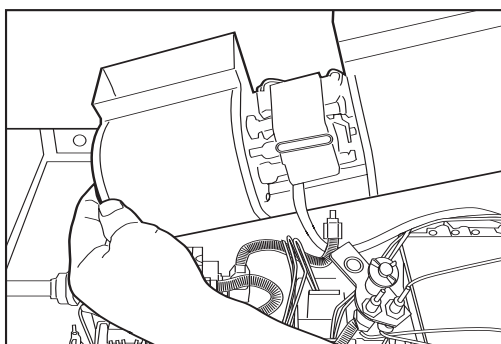


Figure (3) Lift fan out...

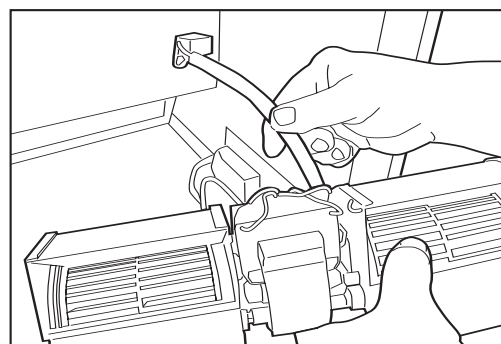


Figure (4) ...and disconnect power plug to remove fan.

## Removal of Control Module

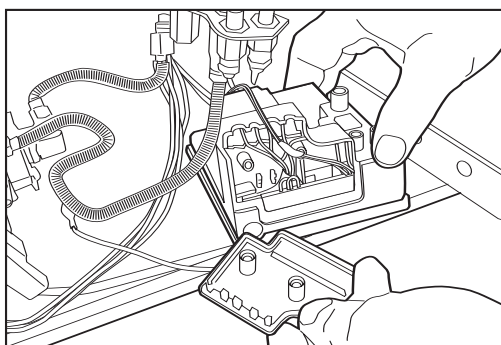


Figure (1) Remove cover plate from module

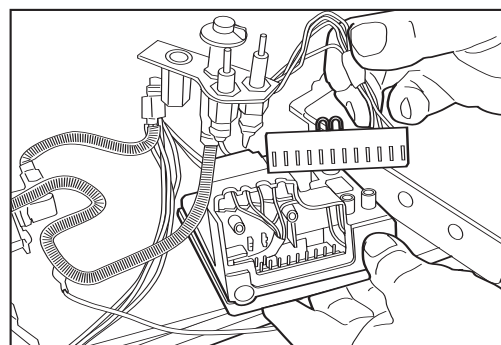


Figure (2) Remove wiring from module

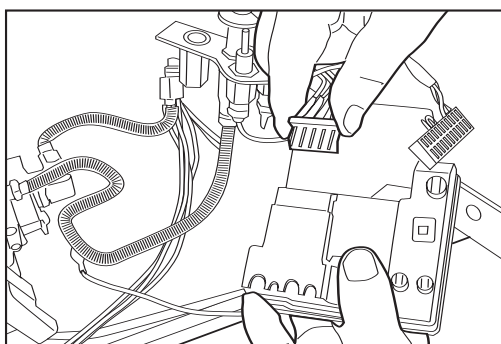


Figure (3) Remove wiring from rear of module.

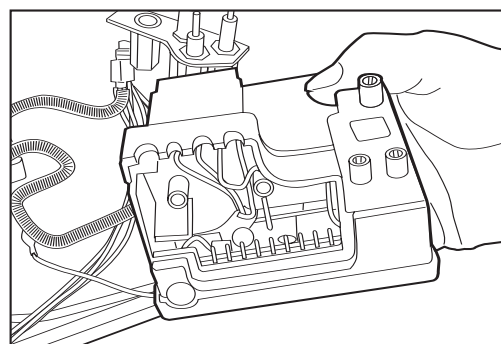


Figure (4) Module can now be removed. Note: The control module is held down by double-sided tape and should be gently forced upwards to release.

## Removal of Control Valve

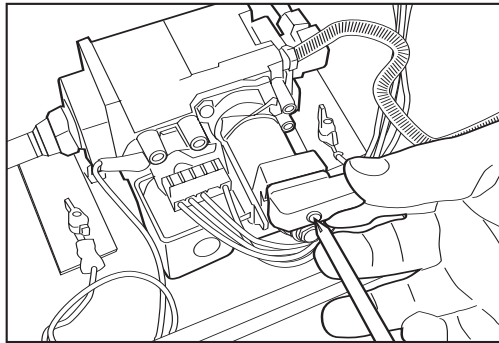


Figure (1) Remove valve modulating lead from control valve.

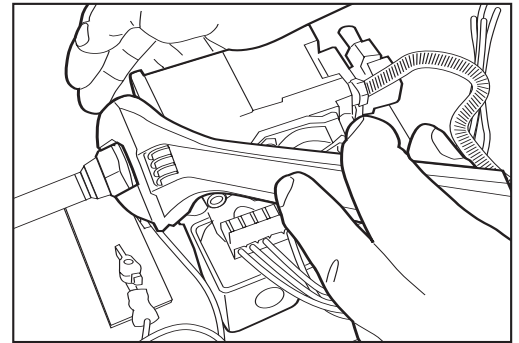


Figure (2) Disconnect gas from control valve.

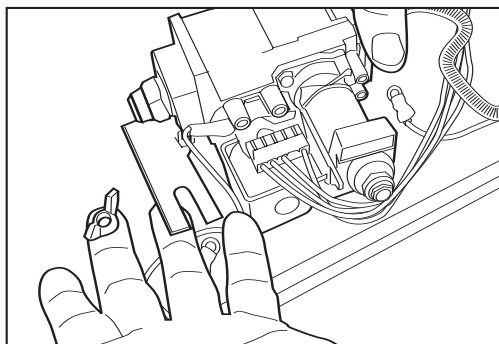


Figure (3) Remove wing nuts from each of the control valve holding brackets and remove valve.

## Removal of Millennium Control Module

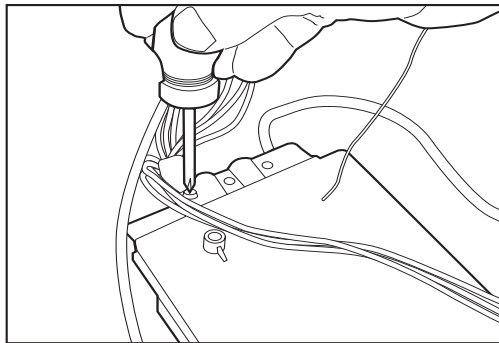


Figure (1) Remove 3 screws from top of module.

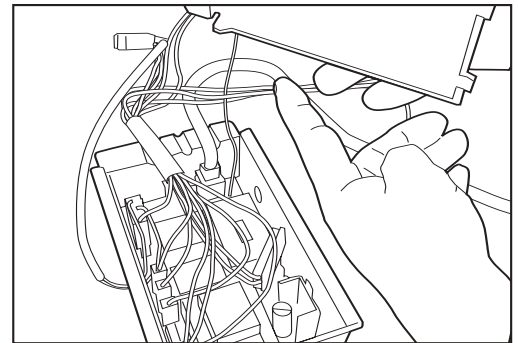


Figure (2) Remove cover from module.  
NOTE: This module is held in position with double-sided tape and should be gently forced upwards to release.

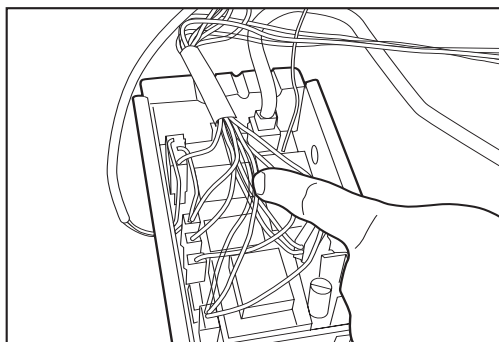
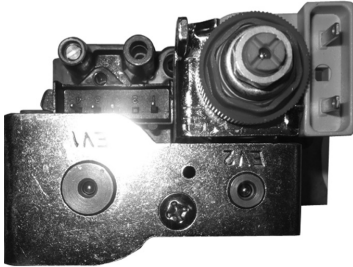


Figure (3) Remove wiring from the modular box (When replacing wiring refer to owner's manual for correct wiring.)

- After carrying out service or replacing parts, reverse the above processes to reinstate the components.
- Prior to lighting ensure there are no gas leaks.

## PARTS LIST



Gas Control Valve



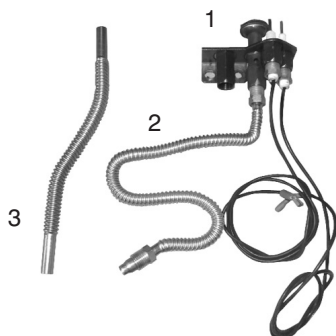
Module Box



Remote Control Module

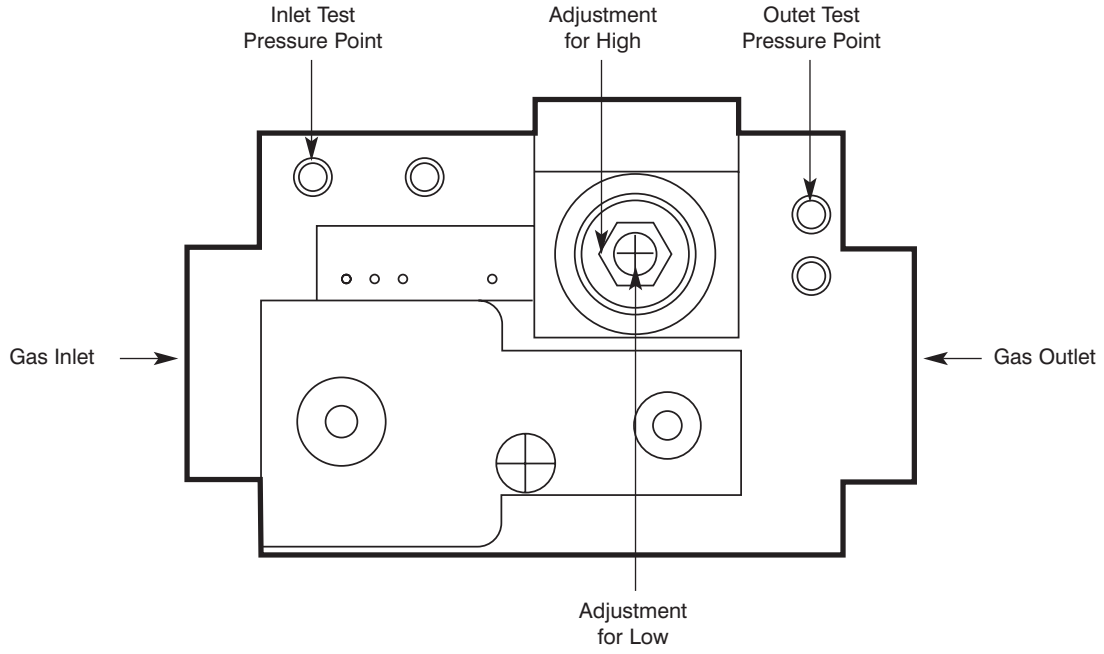


Remote Control



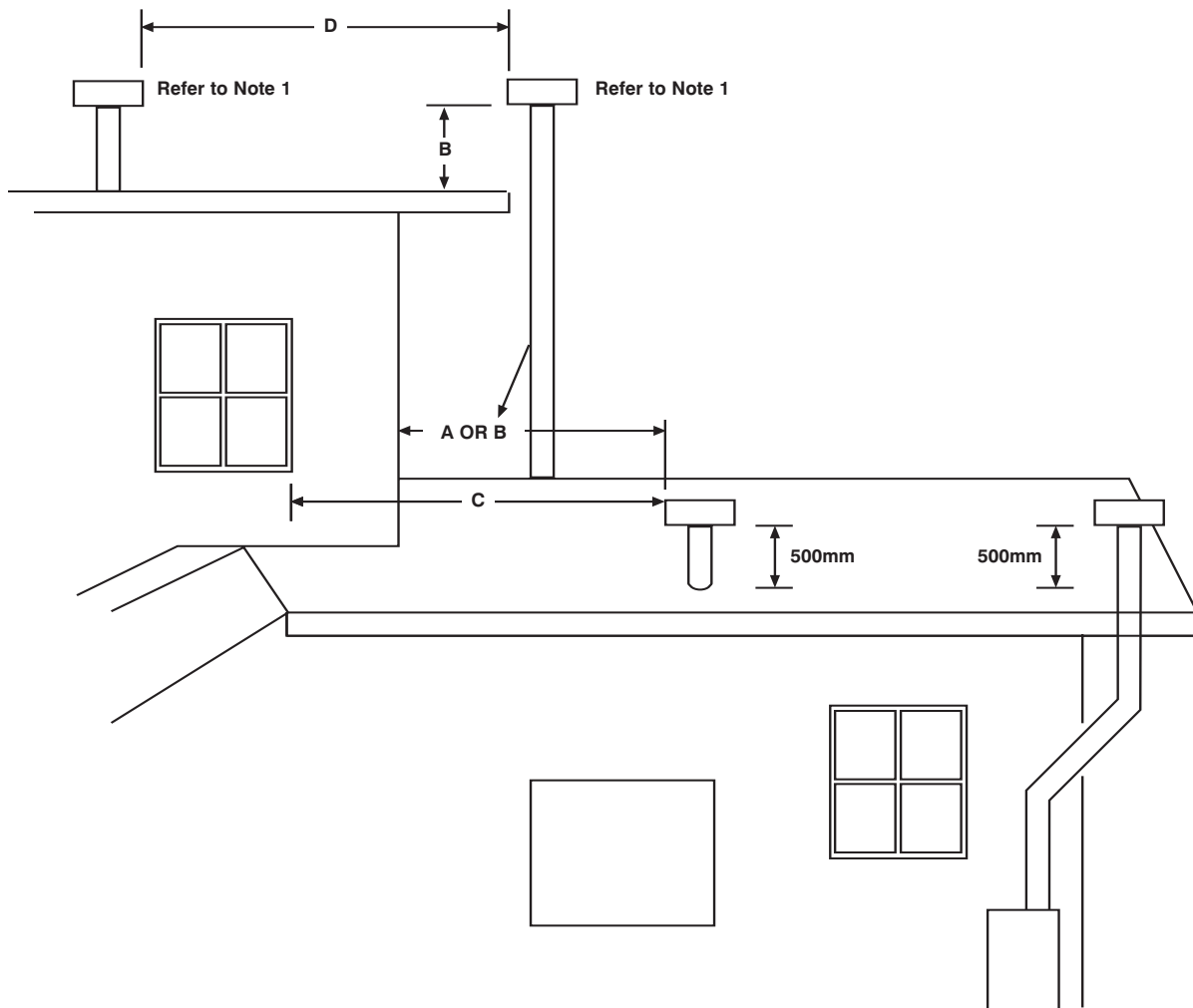
1. Pilot
2. Pilot Tube
3. Burner Tube

# GAS CONTROL ASSEMBLY



# PYROTECH FLUE TERMINATION (COWLS) REGULATIONS

## Natural Draft



AREA	CLEARANCE REQUIRED
A: Horizontally from a neighboring structure.....	1000mm
B: If less than a meter horizontally from a neighboring structure then terminates above that structure by.....	500mm
C: From any opening into a building.....	1500mm
D: From another flue terminal.....	200mm

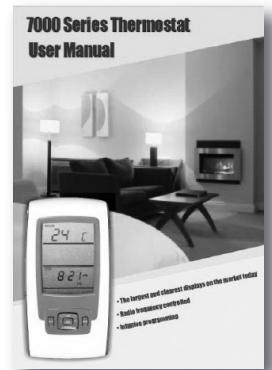
### Notes:

1. A trafficable roof designed for personal or public use, the end of the flue shall be at least 2 meters above the roof level. This dimension is to be increased where necessary so that the minimum distance of 500mm is maintained above any surrounding parapet or at least 200mm from the nearest part of a chimney.
2. The current version of the AS5601 gas codes and any other relevant codes should be read in conjunction with the above guidelines to ensure a correct and safe installation.

## REMOTE CONTROL OPERATING GUIDE

PLEASE REFER TO THE MILLENIUM 7000 SERIES MANUAL ON OUR WEBSITE SHOULD YOU REQUIRE FURTHER DETAIL.

To assist service technicians who may not have access to this manual, the following is an abbreviated operating procedure. This should be read before servicing commences.



The Pyrotech Deluxe is controlled completely by the use of the remote control; this remote can be used either as a manual operation or an auto operation.

- The remote thermostat uses radio frequency to transmit to the gas/fan controller.
- The remote thermostat has a LCD display
- The remote thermostat uses 2 off “AA” batteries which should last for 12 months. (Depending on quality of battery.) Batteries should be changed when smoke alarms are changed.
- The remote control and the controller are non-serviceable parts and if faulty should be returned to Real Flame Pty Ltd for replacement.

### Locating the remote

The remote houses the thermostat that controls the heat output of the fire. When storing the remote either on its wall bracket or by placing it somewhere in the room where the fire is located, ensure there are no other heat sources that will affect the thermostats ability to accurately read the room temperature. For example, by placing the remote in direct sunlight or under a cushion, the fire may turn down or off before the room reaches the set temperature.

### Factory Set Features

- When turned on the fire will always start on the low setting and remain on low for 3 minutes, it will then go to the high setting.
- The fan will automatically come on in the high mode after the fire has been operating for 3 minutes 20 seconds.
- When the fire shuts off on auto mode or is shut off in manual mode, the fan will continue to operate for 3 minutes in the “High” mode.
- The fire can be operated in either “Auto” mode or “Manual” mode.

### Setting the day and time

- Before changing settings the heater must be OFF. When in the OFF mode the only display shown on the remote is the room temperature and the time.
- To set the time press <T>, the hour will flash, set the correct hour by using the <UP> and <DOWN> button. When set, press <OK> to confirm.
- When the <OK> button is pushed the minutes will flash, again by using the <UP> and <DOWN> buttons set the correct minutes and then push the <OK> button.
- When the <OK> button is pushed the day will flash, again by using the <UP> and <DOWN> buttons set the correct day and then push the <OK> button.
- Your remote will now display the correct day and time.

### To change settings

- The remote must be in the OFF mode to change settings. NOTE: Each of the 3 setting modes must be completed within 2 seconds.

### To change between Degrees C to Degrees F

- Press in sequence <P>, <T>, <T>, <A/M>

### To restore factory setting

- Press in sequence <P>, <T>, <T>, <DOWN>

## REMOTE CONTROL OPERATING GUIDE (continued)

### Teaching RF code

- Ensure the power to the heater is turned off.
- Press in sequence <P>, <T>, <T>, <UP>
- The LCD display will show “CL” (Code Learn) for 2 seconds then return to the normal OFF state display.
- During this time a special code will be transmitted by the RF thermostat to the control unit, causing the control unit to learn its ID.
- CAUTION: The thermostat has already been programmed with a unique code. Do not attempt to teach the RF thermostat ID code unless instructed by the manufacturer.

### To program

- Press <P>
- “PD” will appear at the top of the display screen. And “MO” will flash.
- Press <OK>
- Time will flash and “P1” will appear in the screen.
- Set wake up time and press <OK> to confirm.
- Set temperature required and press <OK> to confirm.
- Repeat above steps for remaining “P2” (Away), “P3” (Coming Home) and “P4” (Sleep) programs.
- Repeat all of the above for each day.

When setting the programs have the remote near the unit to ensure the remote can communicate with the control (Located in the bottom of the heater.)

The Pyrotech Deluxe will operate through the remote either in Manual Mode or Auto Mode, below is a sample of each:

### Example of Manual Operation

Set the thermostat to desired Set temperature e.g. 26°C.

- The flame will start on low, with the fan off.
- After 3 minutes, the flame changes to the High setting, if the temperature is 23.5°C or lower. The fan will switch on High 3 minutes and 20 seconds after the flame is lit.
- As the temperature rises above 23.5°C, the modulating valve will decrease the gas level one step every 0.5° above 23.5°. The fan will continue to operate on High.
- When the room temperature reaches 26.5°C, the modulating valve will operate at its lowest setting. The fan will switch to Low speed.
- If the room temperature were to rise above 29°C, the flame will be extinguished. The fan will run on for another 3 minutes on High before shutting down.
- If the room temperature then drops down to 26° or lower, the flame will again be lit, and then the fan will begin after the flame-on delay.

## REMOTE CONTROL OPERATING GUIDE (continued)

In Auto mode, the RF thermostat will control the flame and the fan according to the programmed times and temperature. The flame can be programmed to turn on or off, or change the required temperature.

The switch off and on sequence operate as per manual operation, detailed above.

### Example of Auto Operation

Set the thermostat to Monday;

Turn off at 8.00 am and set temperature of 25°C;

Lower temperature at 9.00 am with set temperature at 15°C.

- At 8.00 am on Monday, the flame will start on Low, with fan off (if flame was already off)
- After 3 minutes, the flame changes to highest setting, if room temperature is 22.5° or lower. The fan will switch on High after 3 minutes and 20 seconds after the flame was lit.
- As the temperature rises above 22.5°, the modulating valve will decrease the gas level one step for every 0.5° above 22.5°. The fan will continue to operate on High.
- When the room temperature reaches 22.5°, the modulating valve will operate at its lowest setting. The fan will switch to Low speed. The flame will remain lit as long as the room temperature is 28° or lower.
- If the room temperature were to rise above 28°, the flame will be extinguished. The fan will run for further 3 minutes on High before shutting down.
- If the room temperature then drops down to 25° or lower, the flame will again be lit, and the fan will begin after the flame-on delay.
- At 9.00 am on Monday, the required room temperature is now only 15°C.
- If the room temperature is above 18°, then the flame will be extinguished, with the fan operating for a further 3 minutes.
- If however the room temperature were to be below 18° for whatever reason, the flame would remain on together with the fan. The level of the flame, or speed of the fan, will depend how far below the 18° is the room temperature.

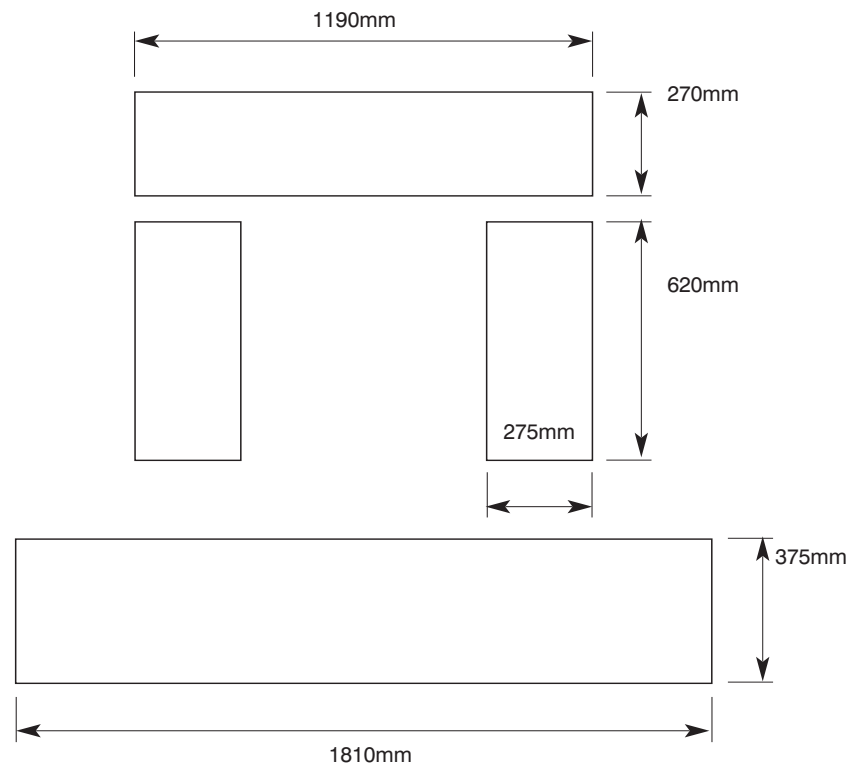
### WARNING

When the RF thermostat is in the “Auto” mode and the room temperature drops below the minimum temperature, the fire and fan will come on and operate until the room temperature is 3° above the minimum and then turn off, therefore:

- The minimum temperature should be set at a temperature that is not likely to cause the fire to continually turn on and off.
- If leaving the house for an extended period, the RF thermostat should be turned “OFF”.
- As long as the RF thermostat is in the “Auto” mode and the temperature goes below the minimum set temperature, the fire will come on no matter what times are programmed into the thermostat.
- If you are unsure of the operation of the RF thermostat, please contact the manufacturer.

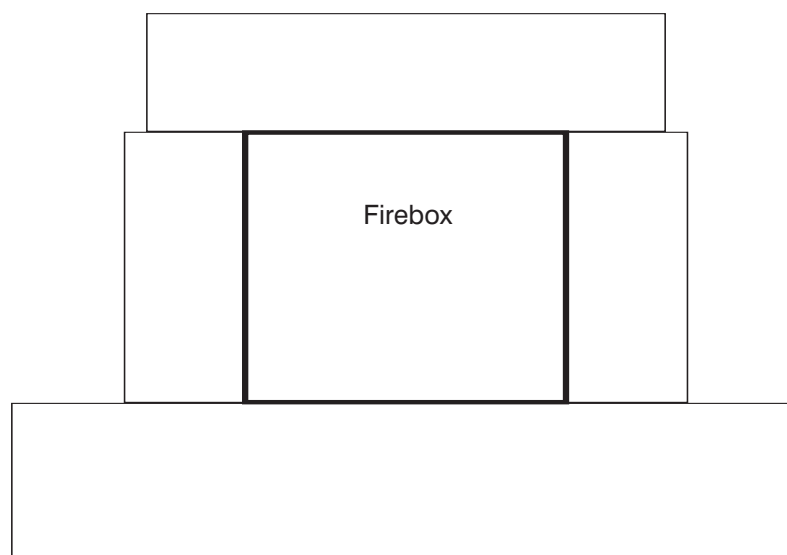


## OPTIONAL MARBLE HEARTH AND/OR MARGIN SET

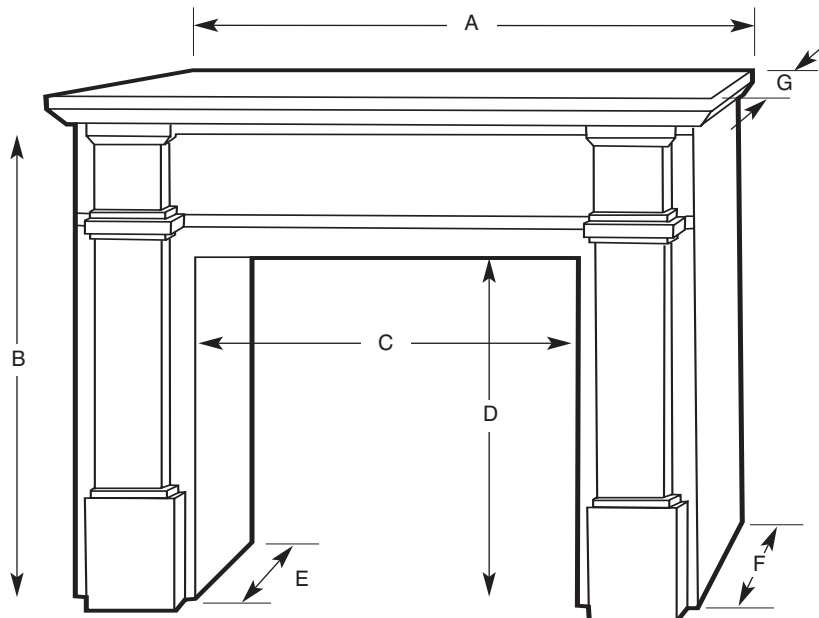


### Marble Margin Set Installation Procedure

1. Install Pyrotech without trim.
2. Install marble up to flange on Pyrotech. Use liquid nails to fix to wall. Marble should look like the diagram below once it has been installed and before mantelpiece has been attached.
3. Once unit is all set up, attach trim. Trim should overlap the marble so that the switches are accessible.



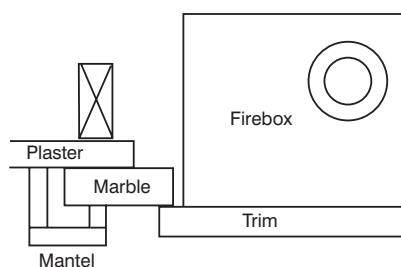
## OPTIONAL MANTELPIECE INSTALLATION



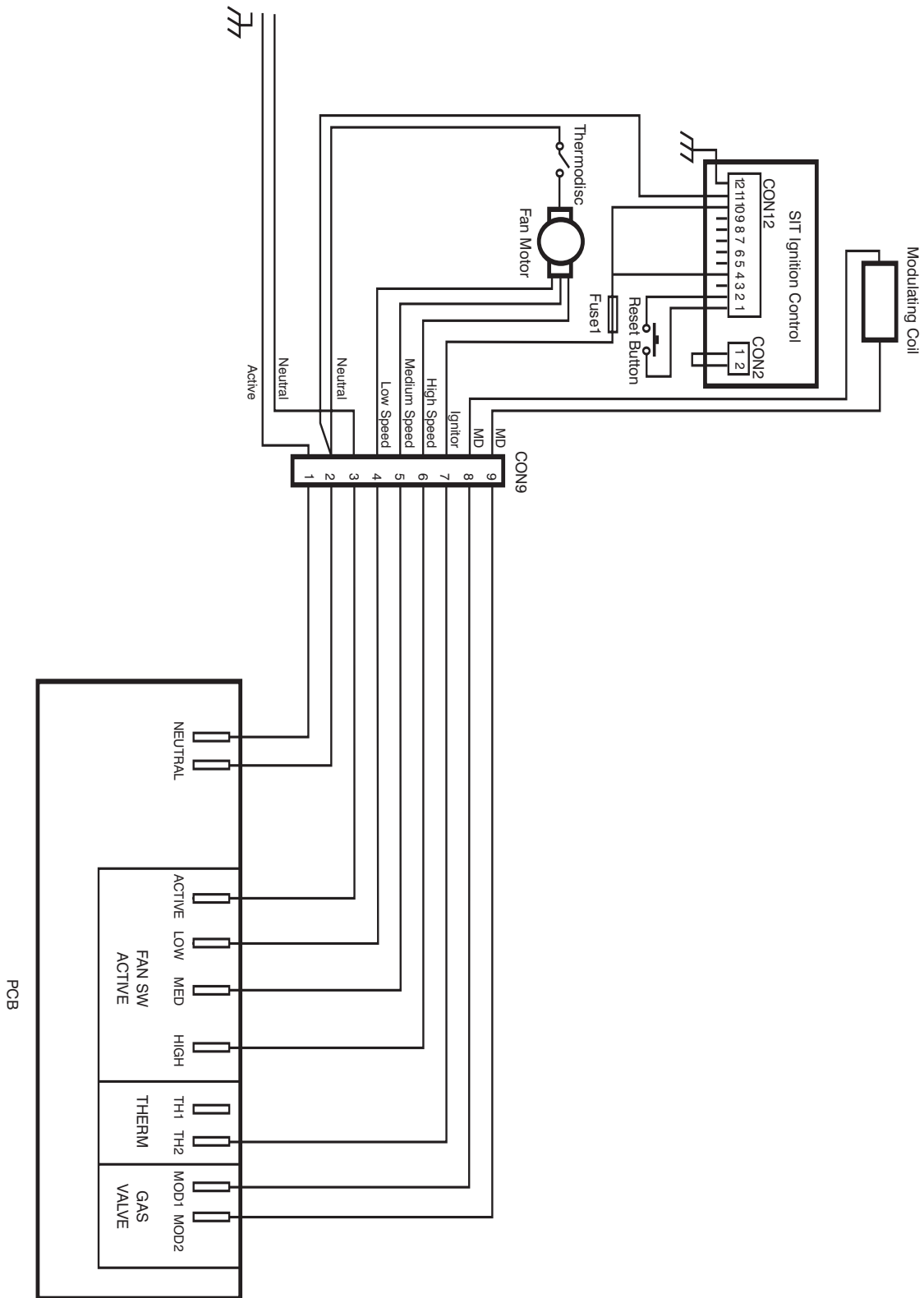
### MANTELPIECE DIMENSIONS

MODEL	A	B	C	D	E	F	G
Universal*	1810	1220	1090	860	80	100	280
Victorian Arch	1440	1210	885	920	20	20	190
Federation Square	1440	1215	920	920	20	20	235

\* Universal Windsor, Bouvier, Kensington, Feidrich



# ELECTRICAL DIAGRAM





**REAL FLAME PTY LTD**

ABN 76 006 311 155

**Head Office/Factory/Showroom**

1340 Ferntree Gully Rd.

Scoresby Vic 3179

Ph: (03) 8706 2000 Fax: (03) 8706 2001

E-mail: [info@realflame.com.au](mailto:info@realflame.com.au)

**Richmond - VIC Showroom**

300 Swan St.

Richmond Vic 3121

Ph: (03) 9428 4443 Fax: (03) 9428 4445

**Geelong - VIC Showroom**

1/2A Gordon Avenue.

Geelong West Vic 3218

Ph/Fax: 5229 0844

E-mail: [realflamegeelong@hotmail.com.au](mailto:realflamegeelong@hotmail.com.au)

**Sydney - NSW Showroom**

654 Pacific Highway.

Chatswood NSW 2067

Ph: (02) 8905 0189 Fax: (02) 8905 0192

E-mail: [info@realflame.com.au](mailto:info@realflame.com.au)

**Miranda - NSW Showroom**

36 Kareena Rd

Miranda NSW 2228

Ph: (02) 8513 6202 Fax: (02) 9520 1974

E-mail: [paul@realflamemiranda.com.au](mailto:paul@realflamemiranda.com.au)

**Adelaide - SA Showroom**

173 -175 Magill Rd.

Norwood SA 5067

Ph: (08) 8132 0371 Fax: (08) 8132 1687

E-mail: [realflamesa@iprimus.com.au](mailto:realflamesa@iprimus.com.au)

**Miton - QLD Showroom**

46 Douglas St,

Milton QLD 4064

Ph: (07) 3368 2011

**Perth - WA Showroom**

47-53 McDonald St East,

Osborne Park WA 6017

Ph: (08) 9444 9900 Fax: (08) 9444 9800

**Fyshwick - ACT Showroom**

88 Wollongong St,

Fyshwick ACT 2609

Ph: (02) 6280 5522