



direct vent  
gas fireplaces

# why choose Regency?

An exceptional fire, custom elegance and controllable heat are just a few reasons to make a Regency fire part of your family.

In 1979, I founded Regency Fireplace Products with a mission to produce the finest fireplace products available anywhere. As a result, Regency has been honoured with awards for exceptional aesthetics and performance and is known as the premium brand around the world. We have been dedicated to providing Australia & New Zealand with Regency fires for over 20 years: committed to creating products that promote comfort and peace of mind.

I am so confident in the quality workmanship, the finest materials and durable heavy-duty construction invested in each and every product, that I offer a Limited Lifetime Warranty. Invite the comfort, efficiency and style of a Regency gas or wood fire into your home and enjoy quality time for a lifetime - I guarantee it.



Robert Little  
Founder & CEO





Regency Greenfire GF900L gas fire shown with Premium glass fascia (shown without mandatory dress guard).

## why choose a direct vent fireplace?

A Regency direct vent gas fireplace is the perfect heating solution for your renovation or new construction project. In just three easy steps (see back cover), you can have a Regency Gas Fire almost anywhere in your home - no chimney needed! Select a fireplace, choose a fascia, and have it vented through an outside wall. Enjoy watching the lively, realistic fire of your new Regency while it warms your home and your soul.

# Gemfire™ GEM54

Contemporary Gas Fire



Above: Gem54 shown with stainless steel fascia, reflective inner panels and blue crystals (shown without mandatory dress guard).

## Dramatic firescape

The Regency landscape Gemfire offers a wide angle view of a unique and dramatic flame; perfect for contemporary homes and open concept living spaces. Inset reflective panels amplify the appearance of the stunning fire. The incredible styling is backed up by practical function; the room sealed direct vent fire delivers consistent, controllable heat - even during power outages.

 See it burn  
[regency-fire.com.au](http://regency-fire.com.au)





Gem54 shown with black fascia, reflective inner panels and pebbles (shown without mandatory dress guard).



Gem54 shown with stainless steel fascia, reflective inner panels and black crystals (shown without mandatory dress guard).



Standard Features

- Wide decorative landscape fire with cobalt blue crystals
- Wall mounted On/Off switch
- Standing pilot with direct spark ignition
- 2-speed fan
- Nominal maximum gas consumption: 35.9 MJ NG / 32.2 MJ LP / 28.7 MJ ULP

Optional Features

- Contemporary door frame & fascia in black or brushed stainless steel
- Stainless steel or black enamel inner reflective panels
- Natural River Pebbles
- Ceramic Spa Stones
- Crystals in black, copper or starfire
- Log set
- Remote control
- LP & ULP conversion kit
- Horizontal or vertical flue options
- AstroCap™ Venting System

# Greenfire™ GF900L & GF900C

Contemporary Gas Fires

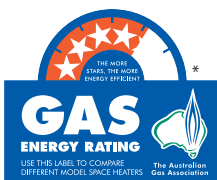


Regency Greenfire GF900L gas fire shown with stainless steel fascia (shown without mandatory dress guard).

## Seamless Design & Perfect Heat

The Regency Greenfire™ adds modern expression to any living space with today's sleek, linear styling. This series features seamless design and beautiful wide angle flames set on your choice of a coastal driftwood log fire or a full bed of shimmering crystals. Efficient, clean-burn zone heating has never been more stylish!

 See it burn  
[regency-fire.com.au](http://regency-fire.com.au)



\*when installed with horizontal flue kit on NG



Regency Greenfire GF900C gas fire shown with premium glass fascia, black crystals and volcanic stones (shown without mandatory dress guard).



Regency Greenfire GF900C gas fire shown with mitred black fascia and black crystals (shown without mandatory dress guard).



**Standard Features GF900L**

- Wide landscape fire with driftwood log set
- Realistic ceramic glowing ember bed
- Black enamel reflective side panels
- 3-speed fan
- Electronic ignition
- RF Remote control
- Room sealed direct vent
- Nominal maximum gas consumption: 35 MJ NG / 28 MJ LP / 28 MJ ULP
- Output: 7.8kW NG / 6.3 kW LP

**Standard Features GF900C**

- Wide decorative landscape fire with stones and crystals
- Black enamel reflective panels (sides and rear)
- 3-speed fan
- Electronic ignition
- RF Remote control
- Room sealed direct vent
- Nominal maximum gas consumption: 32 MJ NG / 28 MJ LP / 28 MJ ULP
- Output: 6.9 kW NG / 6 kW LP

**Optional Features**

- Contemporary door frame & fascia in brushed stainless steel
- Mitred black fascia
- Premium glass fascia in black (1192mm x 638mm)
- Clean edge finish option (no fascia required)
- Black or stainless steel inner door frame to mix and match
- Stainless reflective end panels
- LP or ULP conversion kits
- Horizontal or vertical flue options
- AstroCap™ Venting System for horizontal termination

# Panorama™ PG33/PG36/PG121

Gas Log Fires



Above: PG36 shown with optional premium flush front, slim fascia and reflective panels (shown without mandatory dress guard).

## Design to suit your décor

There are over 25 ways to customise the look and feel of your Panorama fire. Design your fire to suit your décor with a selection of surrounds and finishing touches. Perfect for cosy living areas, the Panorama offers a beautiful flame and controllable heat.

## Two Rooms... One Fire

This see through two sided PG121 is sure to impress. Share the heat and view of this Regency fire in two rooms at once. Customise both sides with stylish Regency accessories.

See it burn  
[regency-fire.com.au](http://regency-fire.com.au)







PG36 shown with optional premium flush front and reflective panels (shown without mandatory dress guard).



PG33 shown with steel louvres (shown without mandatory dress guard).



PG121 shown with optional steel louvres, steel front trim and old town red bricks.



PG36 shown with Hampton fascia (shown without mandatory dress guard).

#### Standard Features

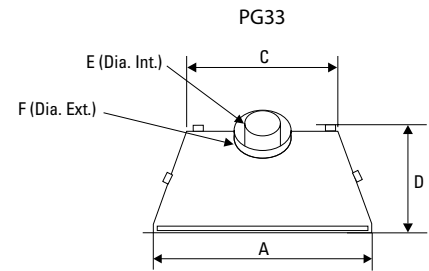
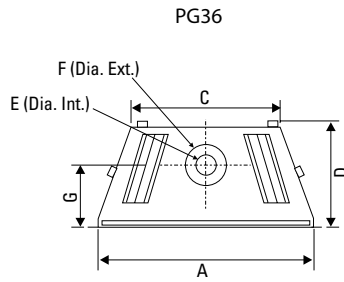
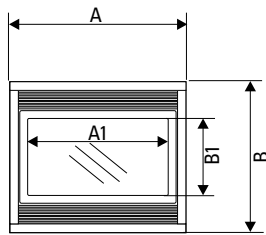
- Black louvres
- Electronic ignition
- 3-speed fan
- 45° flue takeoff – vertical or horizontal (PG33/PG121)
- PG36 - 6.8kW - 33 MJ NG / 31MJ LP
- PG33 - 5.0kW - 24 MJ NG/LP
- PG121 - 7.7kW - 41 MJ NG / 38MJ LP

#### Optional Features

- Premium black flush front (PG36)
- Hampton cast iron fascia and grills (PG36)
- Black or brushed steel louvres
- Brushed steel front trim
- 3 or 4 sided finishing trim in black or brushed steel\*
- 3 or 4 sided slim line fascia in black or stainless steel\* (PG36 only)
- Reflective stainless steel side inserts (PG33/PG36 only)
- Ember upgrade kit
- FireGenie® remote control
- AstroCap™ venting system
- LP conversion kit

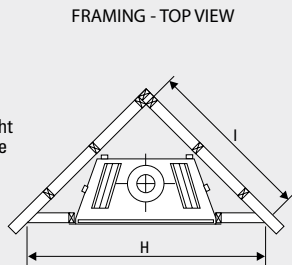
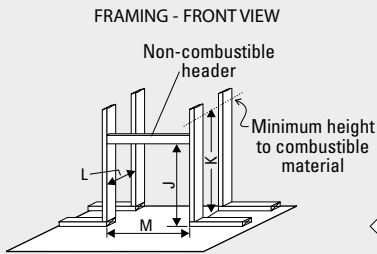
\*4-sided trim not available for PG121

# specifications (mm)

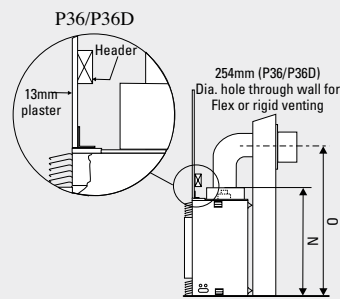


Dimensions	A	B	A1	B1	C	D	E	F	G
PG33	838	737	660	406	584	324	102	175	-
PG36	914	775	741	394	838	324	102	175	184

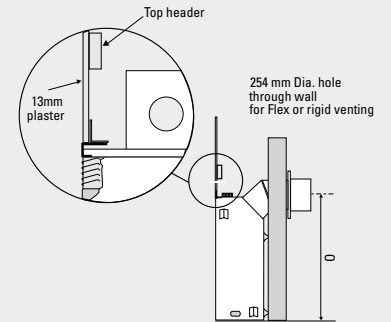
## framing



MINIMUM TERMINATION CENTRE LINE P36



MINIMUM TERMINATION CENTRE LINE P33



Minimum termination centre line

Framing (horizontal termination)

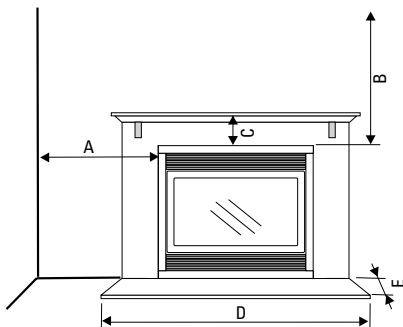
	H	I	J	K*	L	M	N	O
PG33 (Flex flue)	1353	953	806	813	324	845	0	660
PG33 (Rigid flue)	1353	953	806	914	419	845	0	762
PG36	1524	1078	921	1126	324	921	914	1029
PG36 (premium flush front)	1524	1078	946	1182	432	944	914	1029
PG121	please refer to installation manual							

**Note:** Framing dimensions are a guide only. Always check the current installation manual before commencing construction.

\* When using rigid pipe.

**For vertical termination or vertical rise with horizontal termination please refer to manual.**

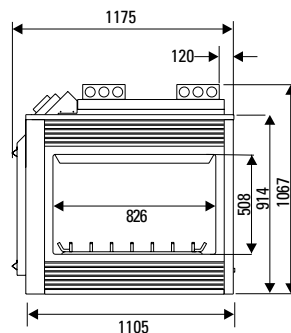
## clearances



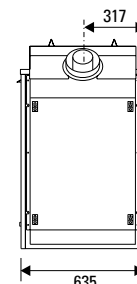
Mantel clearances	A	B	C	D	E
PG33	191	762	178	0	0
PG36	152	1016	178	0	0
PG121	914	914	*	0	0

\* Please refer to the installation manual.

PG121 Front

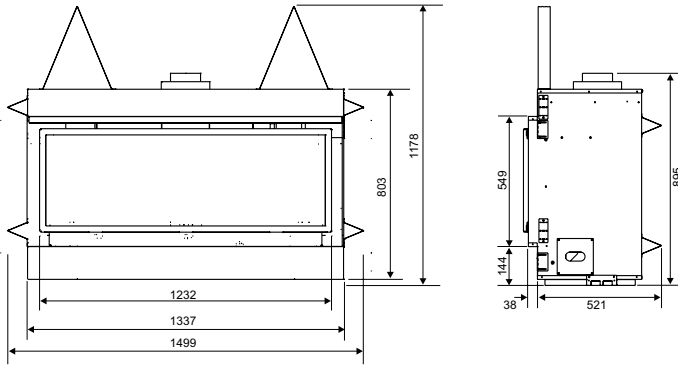


PG121 Side

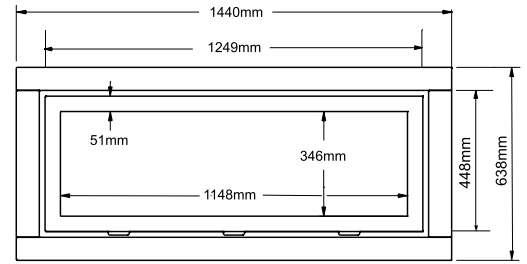


Note: For PG121 there is a 699mm vent heat shield on the vent end of the fire-place. Please allow appropriate space for centre positioning

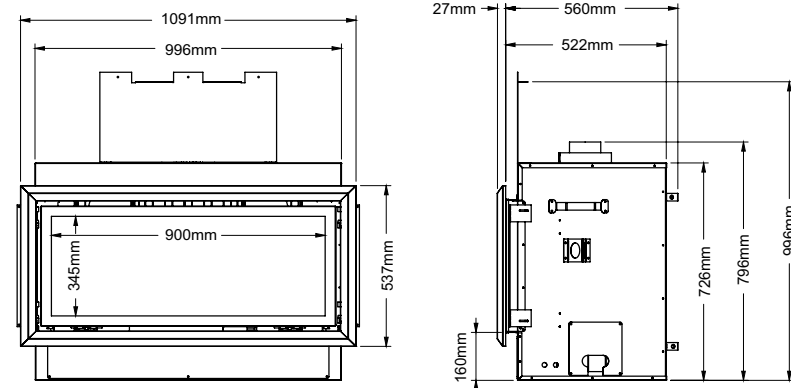
### Gemfire 54



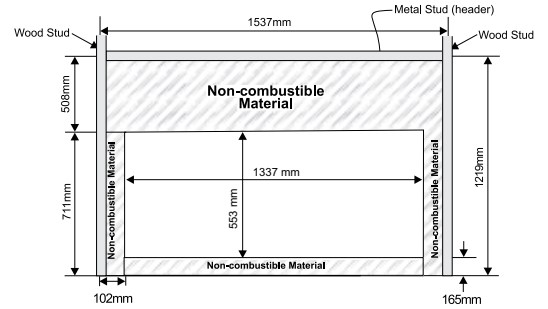
### Gemfire 54



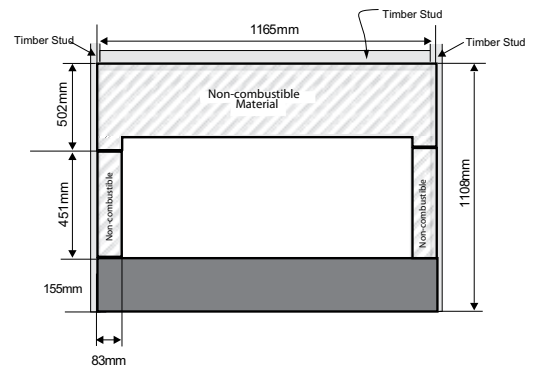
### Greenfire GF900L & GF900C



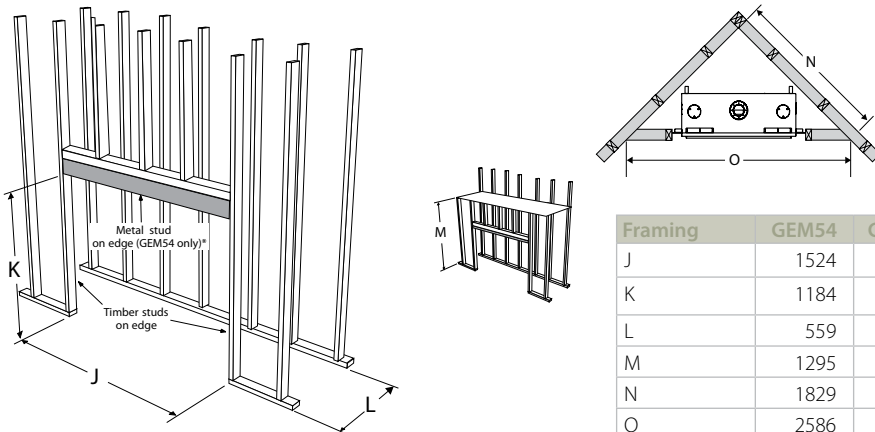
### Gemfire 54



### Greenfire GF900L & GF900C



### framing

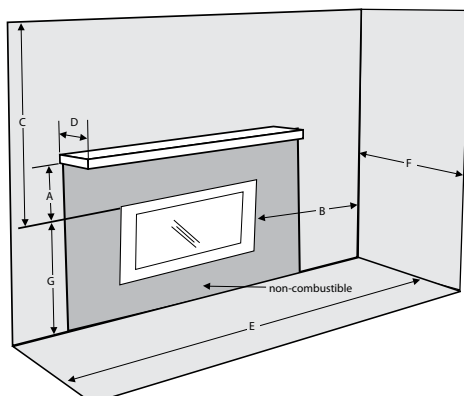


\* Note: GEM54 requires top metal stud only.  
All framing for GF900L and GF900C may be of wood construction.

Framing	GEM54	GF900L	GF900C
J	1524	1127	1127
K	1184	1089	1089
L	559	552	552
M	1295	1151	1151
N	1829	1273	1273
O	2586	1800	1800

Clearances	GEM54	GF900L	GF900C
A	508	438	438
B	102	146	146
C	1038	1003	1003
D	330	330	330
E	2108	1480	1480
F	914	787	787
G		610	610

### clearances



### Remote Controls

Control your gas fire with a remote exclusive to Regency. The remote can be used as a thermostat, allowing you to set and automatically maintain a desired temperature. You can also adjust the flame height and control the fan speed.

Note: Some functions are not available on all models.

# burning wood - a green choice

## Wood is affordable

Reduce your dependence on high priced, non-renewable home heating fuels by burning wood. Turn your fire down and enjoy comforting warmth in your main living area with a Regency wood product. Whether you buy your wood or collect it yourself, you will notice the savings within its first year.

## Renewable Resource

Wood is a renewable natural resource - well-managed forests are a renewable, sustainable source of energy that helps us reduce greenhouse gas emissions and be less dependent on oil & gas.

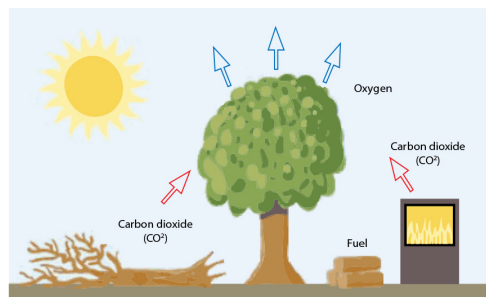
## Wood is Carbon Neutral

As trees grow they absorb carbon dioxide from the atmosphere. When trees die and are left to decompose in the forest or burn in forest fires the carbon stored in the trees is released in the atmosphere as carbon dioxide.

Burning firewood produces the same amount of carbon dioxide as it has absorbed during its life cycle - making wood burning carbon neutral.

## Certified

All Regency Wood Stoves and Fireplaces have been tested and certified to the strictest Australian Clean Air Standards.



for your nearest dealer:  
[www.regency-fire.com.au](http://www.regency-fire.com.au)

Fireplace Products Australia Pty Ltd.  
21-23 South Link  
Dandenong South Vic 3175  
Australia  
Phone 1 800 081 978  
Email: salesau@regency-fire.com

Air Group Australia  
28 Division St.  
Welshpool WA 6106  
Australia  
Phone 08 9350 2200

Regent Distributors Limited  
PO Box 32 432,  
Devonport, North Shore City  
New Zealand  
Phone: Sales +64 21 934 955  
Email: sales@regentdist.co.nz

© 2013 FPI Fireplace Products International Ltd. Regency, Cardinia, Renmark, Albany, Hume, Bellerive, Berwick, Alterra are registered or proprietary trademarks of FPI Fireplace Products International Ltd. All rights reserved. (03/13) Part no. 944-285

your regency dealer

- SPECIALIST REGENCY DEALER -

**HEATWORKS**  
**COOLWORKS**

126 MAGILL RD NORWOOD // 608 NORTH EAST ROAD HOLDEN HILL