



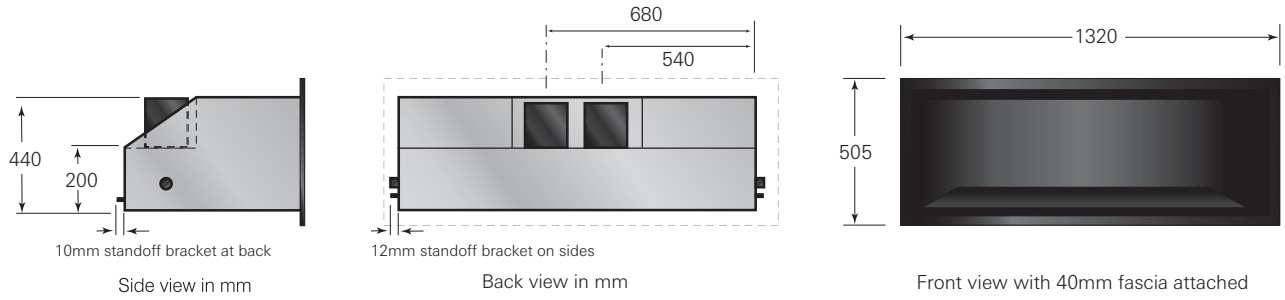
Quick Step Installation Manual



seamless

www.heatmaster.com.au

Firebox dimensions

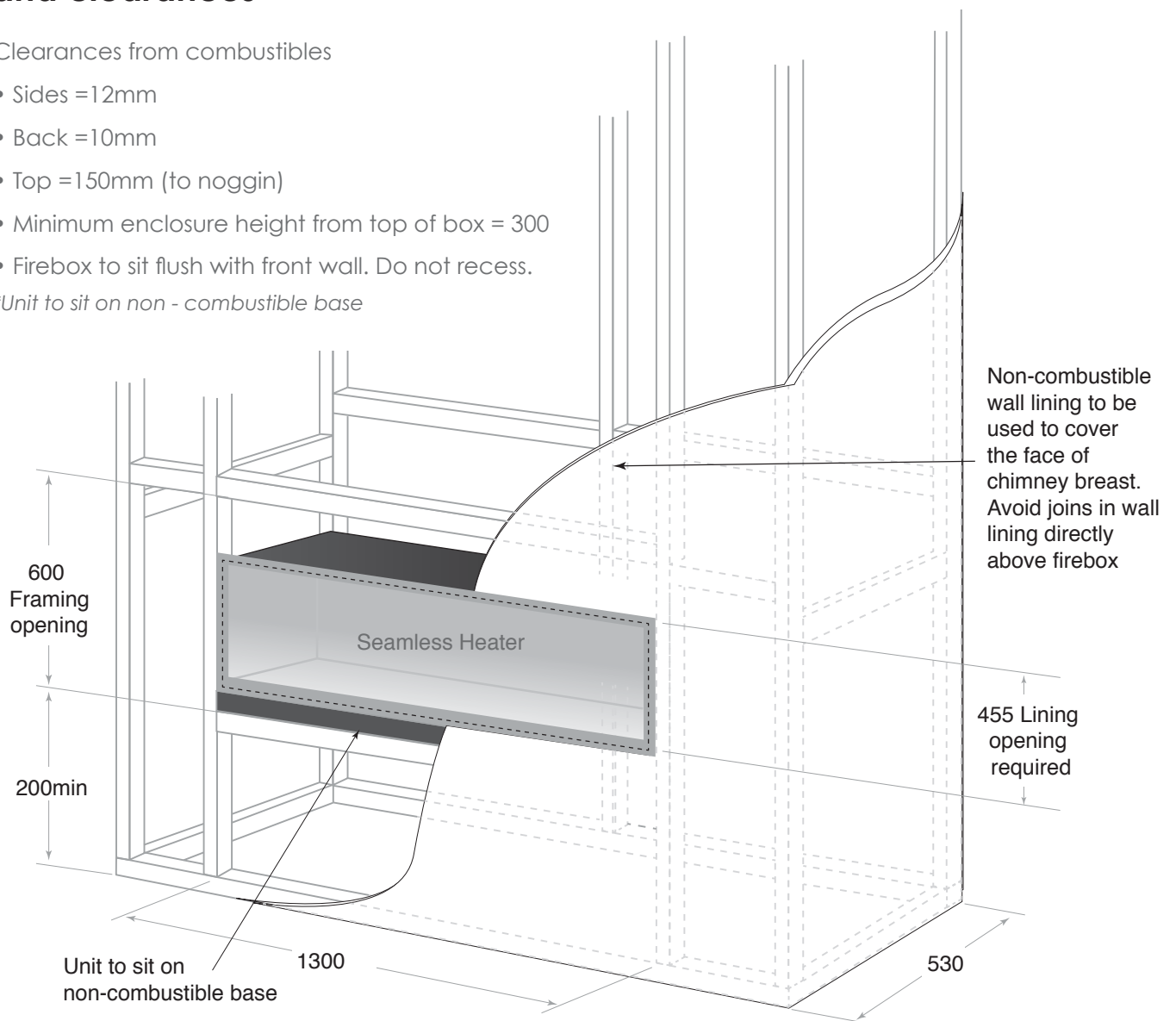


Minimum framing dimensions and clearances

Clearances from combustibles

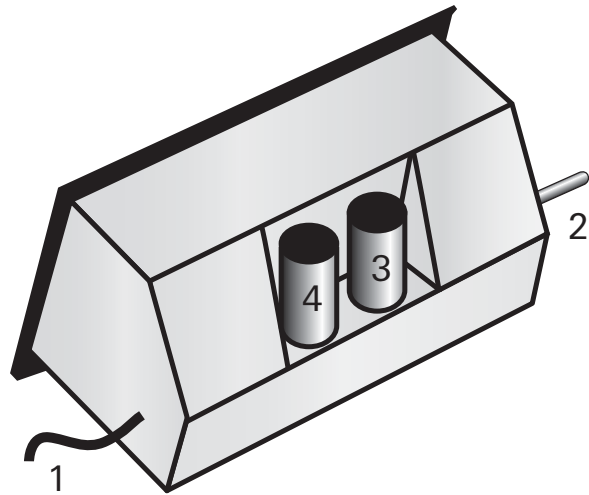
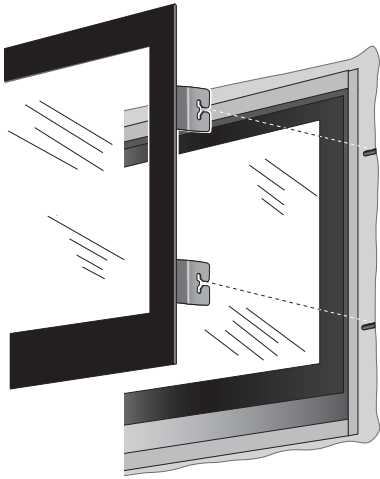
- Sides = 12mm
- Back = 10mm
- Top = 150mm (to noggin)
- Minimum enclosure height from top of box = 300
- Firebox to sit flush with front wall. Do not recess.

**Unit to sit on non-combustible base*



Attaching outer glass

Hooks go over the panel pin on the side of the unit



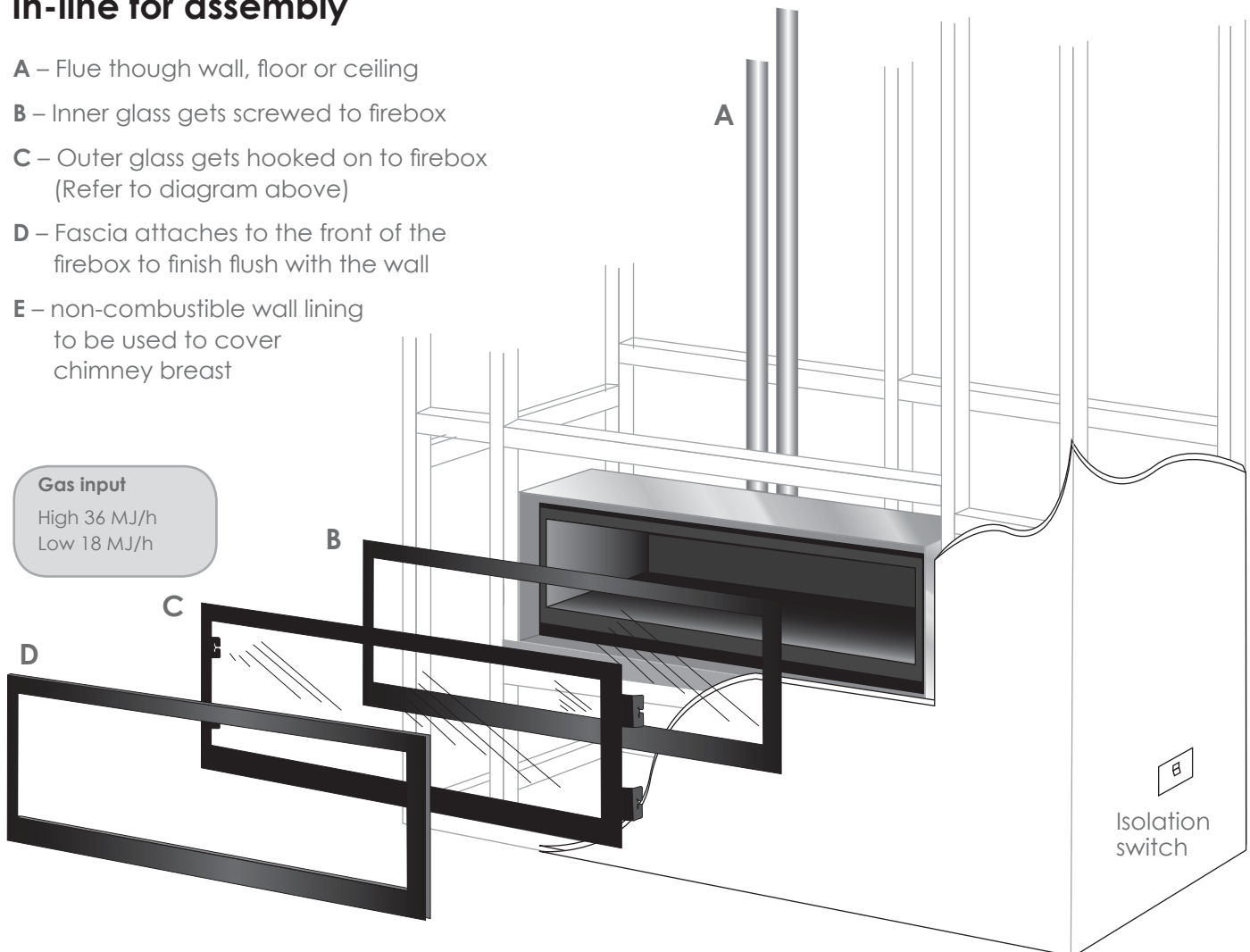
- 1 – Electrical power cable (Requires isolation switch)
- 2 – Incoming gas connection (1/2" BSP Male connector)
- 3 – Incoming air
- 4 – Extraction fan

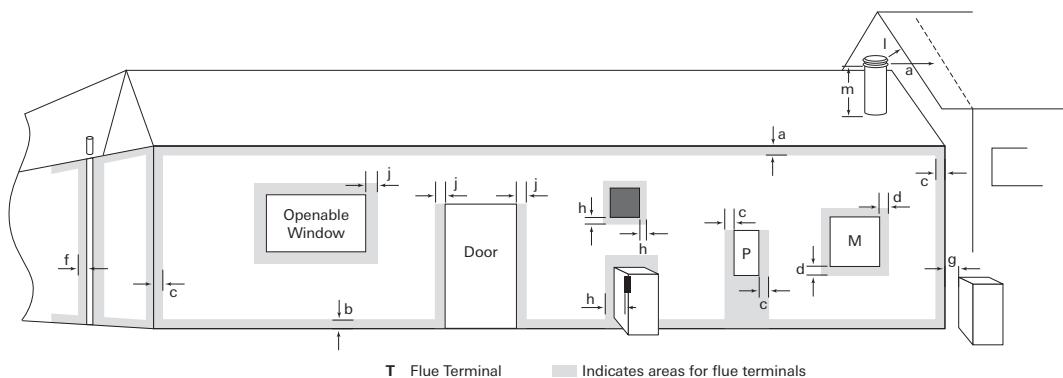
In-line for assembly

- A – Flue through wall, floor or ceiling
- B – Inner glass gets screwed to firebox
- C – Outer glass gets hooked on to firebox (Refer to diagram above)
- D – Fascia attaches to the front of the firebox to finish flush with the wall
- E – non-combustible wall lining to be used to cover chimney breast

Gas input

High 36 MJ/h
Low 18 MJ/h





T Flue Terminal ■ Indicates areas for flue terminals

Minimum clearances required for balanced flue terminals or the flue terminals of outdoor appliances

(To be installed in accordance with local authority requirements)

- | | | | | | |
|---|---|---------|---|---|--------|
| a | Bellow eaves, balconies or other projections | 300 mm | j | Horizontally from an openable window, door, or non-mechanical air inlet, or any other opening into a building, with the exception of sub-floor ventilations | 500 mm |
| b | From the ground or above a balcony | 300 mm | k | Vertically below an openable window, door, or non-mechanical air inlet, or any other opening into a building, with the exception of sub-floor ventilation | 150 mm |
| c | From a return wall or external corner | 500 mm | l | Minimum horizontal clearance to any surface (such as an exterior wall) for vertical terminations | 610 mm |
| d | From a gas meter (M) | 1000 mm | m | Minimum height above roof line for vertical termination | 600 mm |
| e | From an electricity meter or fuse box (P) | 500 mm | | | |
| f | From a drain or soil pipe | 150 mm | | | |
| g | Horizontal from a building structure | 500 mm | | | |
| h | From any other flue terminal, cowl or combustion air intake | 500 mm | | | |

Using your flexible flue pipe

The Seamless's revolutionary flue system incorporates one 65mm diameter pipe and one 58mm diameter pipe.

Do...

Use 3 bends only ✓

Our flexible flue has the ability to bend 3 times between the heating unit and the cowl. This includes the bend straight out of the heater if you're fluing through the ceiling or floor.

Do...

Make the flue pipe go over the bearers and joists. ✓

You may bend the flue over joists and bearers. It is recommended that a 20mm clearance be maintained between the smaller gas exhaust flue and combustible materials.

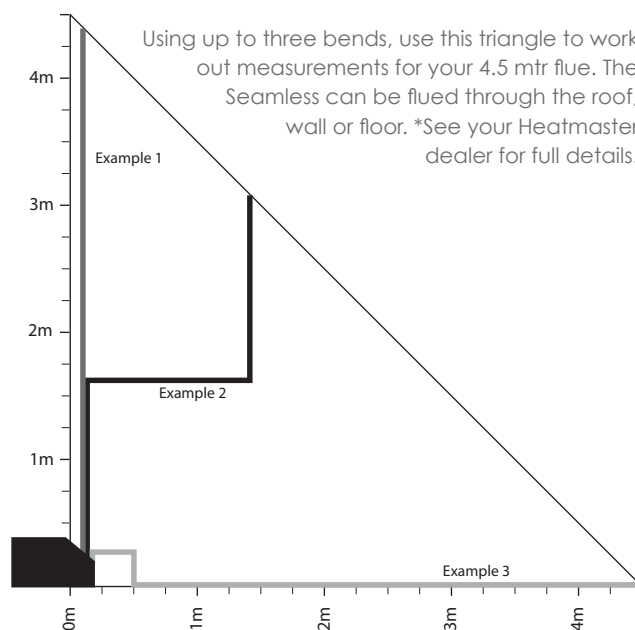
Never Do...

Fluing where the pipe had a spot lower than the rest. ✗

Never allow a low spot in the flue. Installing the flue with a dip or "goose neck" can result in reduced efficiency or even prevent the fire from working.

A 20mm clearance is recommended from the extraction (smaller) flue to combustibles.

Configure triangle



Key Information – Quick step check list

Plumber	Incoming gas connection provided – 1/2 inch BSP male connector *please provide approved 1m flex gas pipe & gas shutoff valve, to allow for removal if required.
	Gas input – 36MJ high 18MJ low
	Manifold pressure (Nat gas) 0.88 Kpa
	Appliance must be tested for correct operation prior to leaving
	If appliance cannot be adjusted to perform correctly contact Heatmaster
Electrician	Standard flex 2m, 3 pin plug provided. Requires power point with double pole isolation switch.

NOTE: NOT INTENDED FOR FIREPLACE INSERT

Addition literature

Supplements for flue installation can be obtained by contacting your Heatmaster dealer.

*All information contained in this mini summary is correct at the time of publication. This is only a summary and should be read in conjunction with the full installation instructions. Pictures are representative only and are not drawn to scale. Installation should be carried out by a licensed gas fitter and any electrical work carried out by a licensed electrician.