



Studio Face, Brushed Nickel (864, 564) Installation Instructions (see SKU's below)

Packing List

- Face Trim (3 or 4 Pieces)
- (6) #8 x 1" Screws
- (4) Drywall Screws
- (2) Lower Brackets w Magnets
- 9/64" Drill Bit
- (4) Drywall Anchors
- (2) Mounting Brackets
- Trim Hardware ("L" Brackets, Set Screws)

SKU's

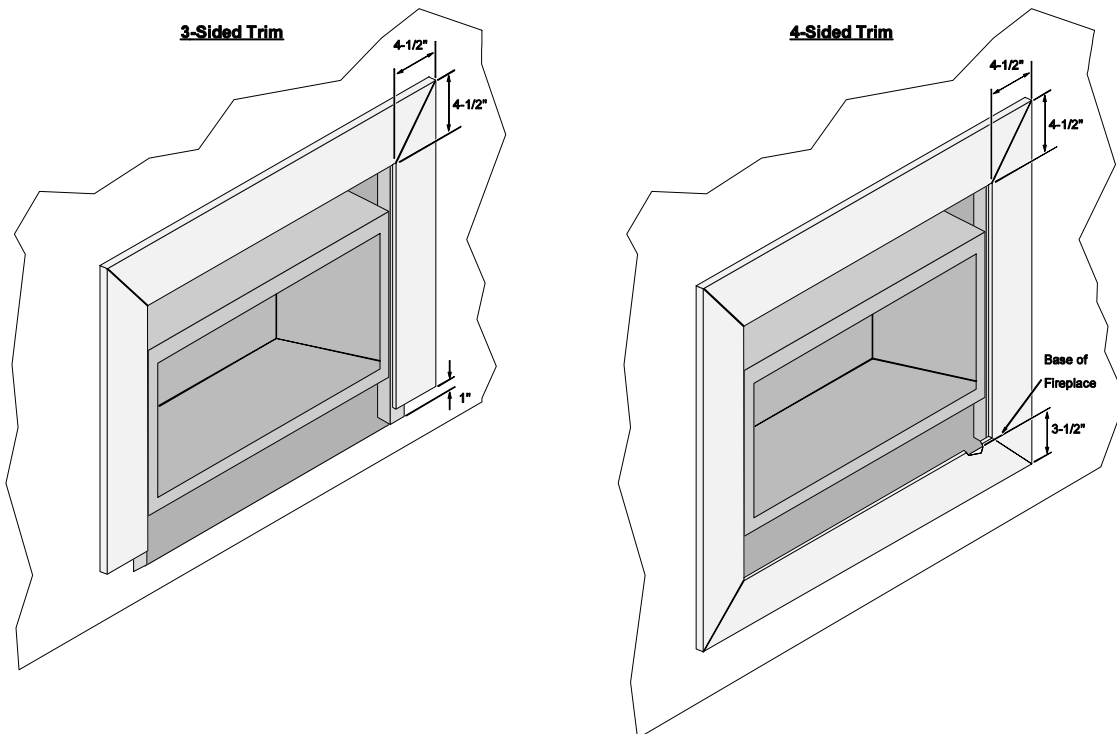
864 3-Sided Nickel	95800647	564SS 3-Sided Nickel	95400429
864 4-Sided Nickel	95800648	564SS 4-Sided Nickel	95400431
864 3-Sided Black	95800626	564SS 3-Sided Black	95400427
864 4-Sided Black	95800625	564SS 4-Sided Black	95400426

Compatibility

- 564 (SS, GS, and DF)
- 864 (TRV, HO, ST, and GS)

Face Installation Details

The studio face fits over the front of the fireplace around the perimeter of the glass frame and grill openings (the "tile line"). It extends 4-1/2" allowing it to conceal the drywall edge around the perimeter of the fireplace. The 3-sided face extends to a location 1" above the base of the fireplace, allowing for a 1" hearth to be installed below the face. The 4-sided face extends 3-1/2" below the base of the fireplace. The fireplace must be raised a minimum 3-1/2" for 4-sided faces.



Face	Width	Height
564 3-Sided	41-3/4"	32-1/4"
564 4-Sided	41-3/4"	36-7/8"
864 3-Sided	46-1/4"	38-3/4"
864 4-Sided	46-1/4"	43-3/8"



**TRAVIS INDUSTRIES
HOUSE OF FIRE**

Studio Face, Brushed Nickel (864, 564) Installation Instructions (see SKU's below)

Installation

- 1 The two mounting brackets are secured directly above the fireplace. Place one bracket along the top of the fireplace, flush with the outer edge (see photo below). You may need to press in on the bracket to allow the return flange to insert between the drywall and fireplace.



- 2 Use the included 9/64" drill bit to drill a hole through the front of the fireplace directly behind the lower hole on the bracket (see photo below). Make sure to penetrate only one layer of steel. Use one of the included screws to secure the bracket to the fireplace (see photo below).





**TRAVIS INDUSTRIES
HOUSE OF FIRE**

Studio Face, Brushed Nickel (864, 564) Installation Instructions (see SKU's below)

- Anchor the bracket to the facing using appropriate fasteners. This kit contains drywall screws, drywall anchors, and metal screws to facilitate a secure connection. See photo below.



- Repeat steps 1 to 3 for the opposite side bracket.
- Arrange the trim face down on a non-scratching surface (e.g.: cardboard). Each corner is held in place with two spacers and two "L" brackets. See the photo below.
NOTE: The spacers have a large hole. The "L" brackets have two pre-installed set-screws. If any of these set screws have come loose, thread them into the "L" bracket.

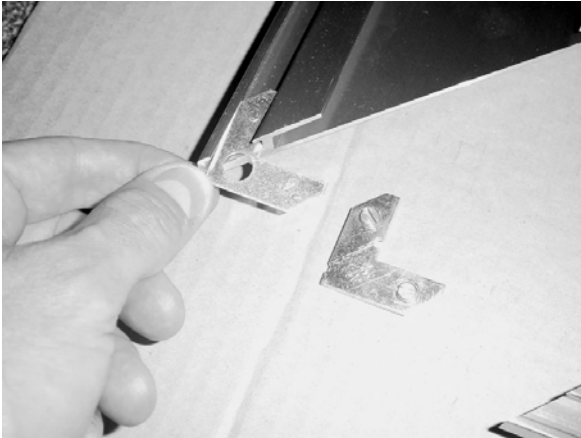




**TRAVIS INDUSTRIES
HOUSE OF FIRE**

Studio Face, Brushed Nickel (864, 564) Installation Instructions (see SKU's below)

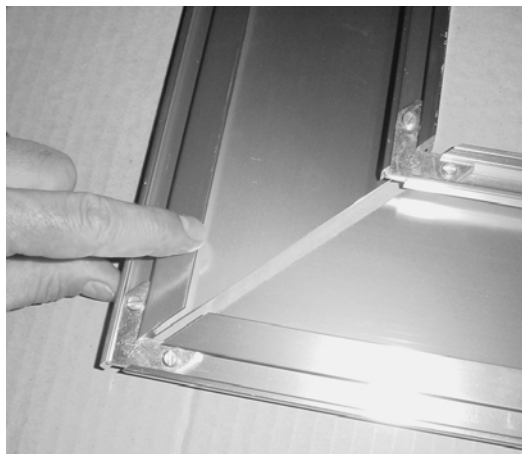
- 6 Install one spacer into the channel on the top trim (see photo below). Place one "L" bracket on top of the spacer (see photo below). If the "L" brackets are too tight, loosen the set screw a few turns.



- 7 Repeat step 6 for the other spacer and "L" bracket (see photo below).



- 8 Slide the adjoining side trim onto the "L" brackets and spacers. Repeat steps 6-8 for the opposite side.
NOTE: If the "L" brackets are too tight, loosen a few turns. Do not tighten the "L" brackets at this time.



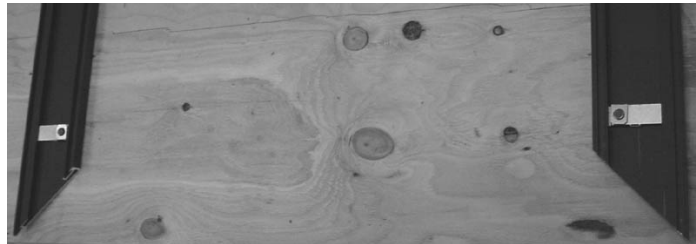
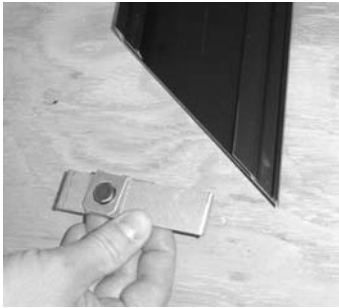


TRAVIS INDUSTRIES
HOUSE OF FIRE

Studio Face, Brushed Nickel (864, 564) Installation Instructions (see SKU's below)

- 9 Slide the lower brackets into the side trim as shown below (this is done prior to installing the bottom trim on 4-sided trim). The brackets may need to be bent slightly to insure they remain in place. Make sure the magnets are in place before proceeding. On 4-sided trim, install the bottom trim (see steps 6-8).

WARNING: The powerful magnets may require pliers to properly position. Take care with the magnets to prevent damage. Keep the magnets away from children.



- 10 Once all of the spacers and "L" brackets are fully inserted, carefully align the trim, making sure each corner butts correctly to the adjoining piece. Tighten the set screws to secure the trim pieces together (see photo below).

NOTE: Once assembled, you may notice some uneven joints on the trim. Loosen the set screws and re-align the trim to insure correct alignment.



- 11 Hang the trim on the brackets as shown below. The lower brackets, with magnets, will attach the lower part of the trim to the face. Make sure the trim is centered on the fireplace.

