



# Lopi Flush Wood Zero Clearance Box Installation

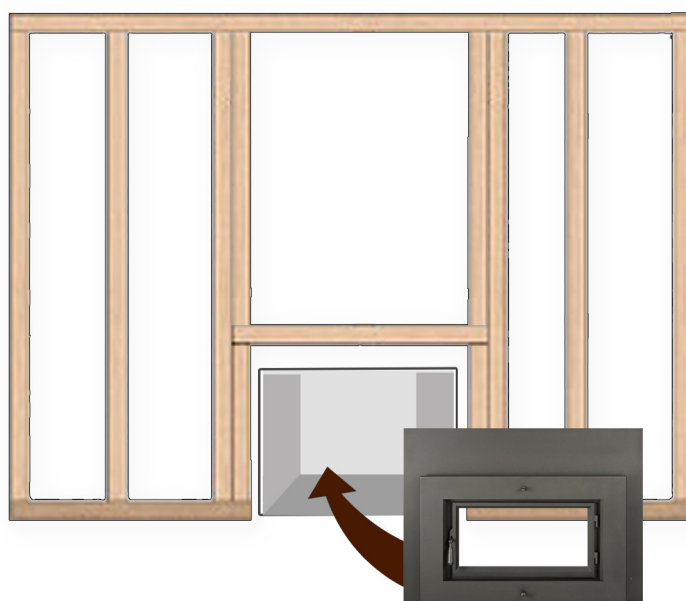


Flush Wood - Shadowbox Face



Flush Wood - Cypress Face

***Now you can install a Lopi Flush Wood  
into a timber frame...***



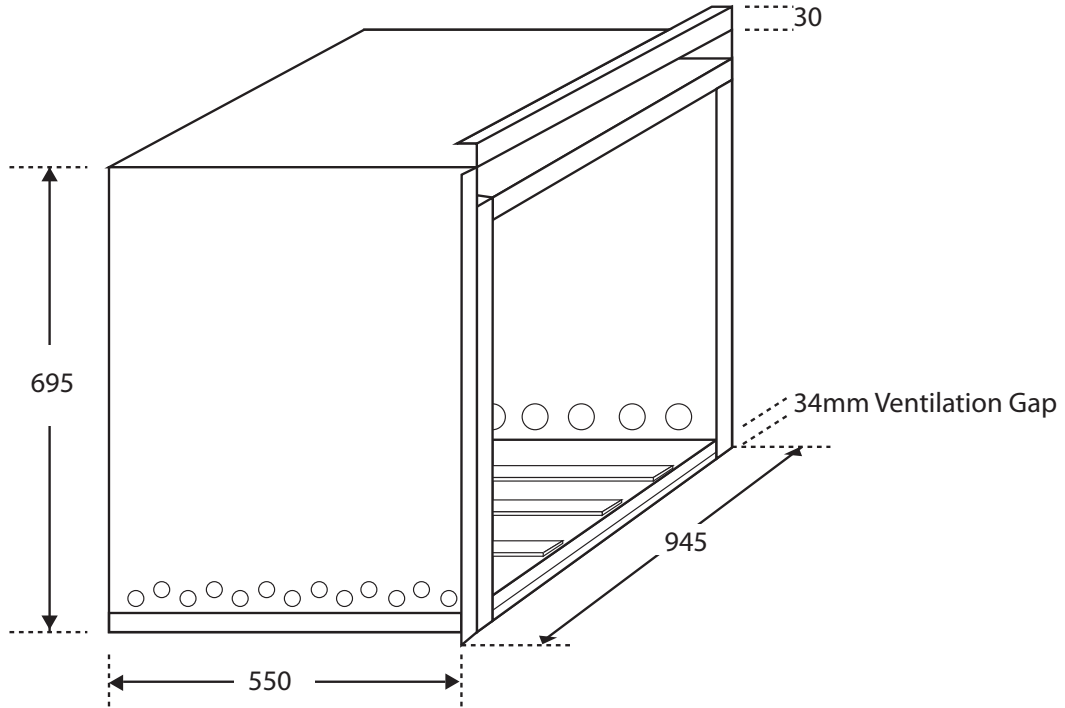


# Flush Wood Zero Clearance Box

The Flush Wood Zero clearance box allows the product to be installed into a combustible wall with minimum clearances and without brick or block work using the framing dimensions and clearances below.

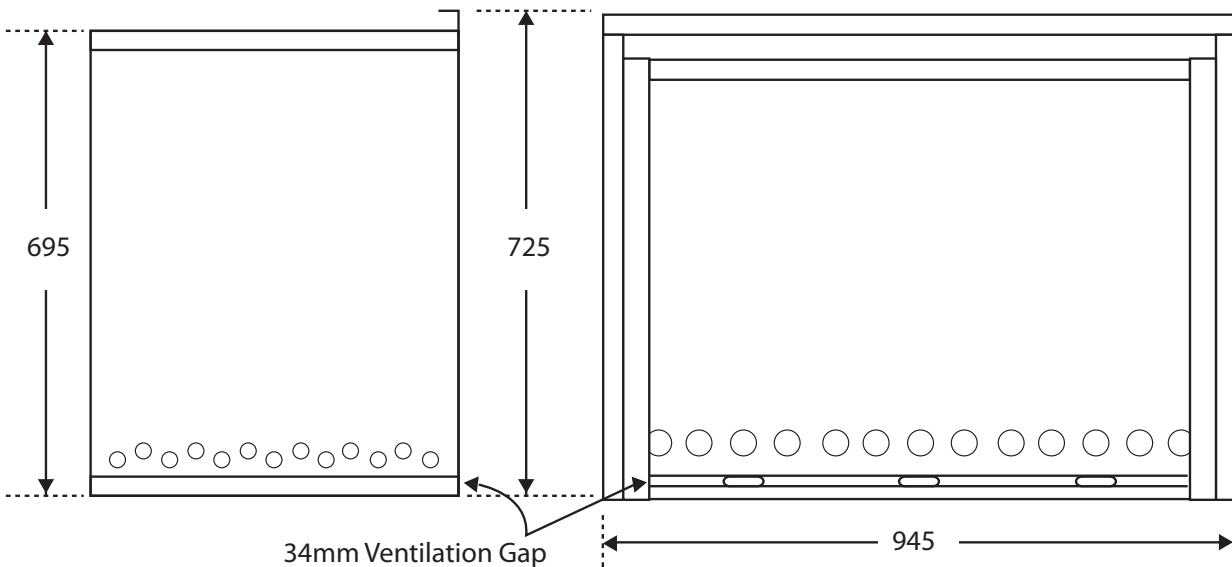
## Zero Clearance Box Dimensions

Isometric View



Section View

Elevation View

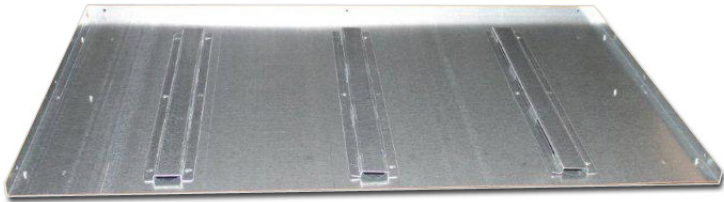


\*\*Dimensions are subject to change at our discretion, please check with our office for further details

## Zero Clearance Box Assembly Details

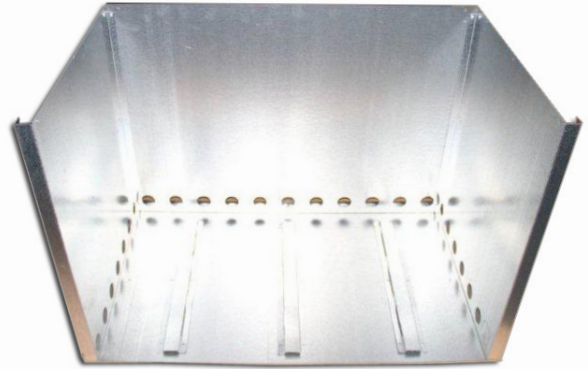
### Step 1

Lay down bottom panel folded edges facing upwards and non folded edge to the front.



### Step 2

Screw inner left, inner right and inner back panels together, returns facing outwards.



### Step 3

Screw inner top panel in place.



### Step 4

Screw 200mm collar in place.



### Step 5

Screw outer left, outer right and outer Rear panels in place with vent holes to the bottom, returns facing outwards.



### Step 6

Screw outer top panel into place. 1 x large return facing upwards at the front, 3 x small returns facing downwards.



\* Images for illustration purposes only, some details may change

## Step 7

Screw 250mm collar in place

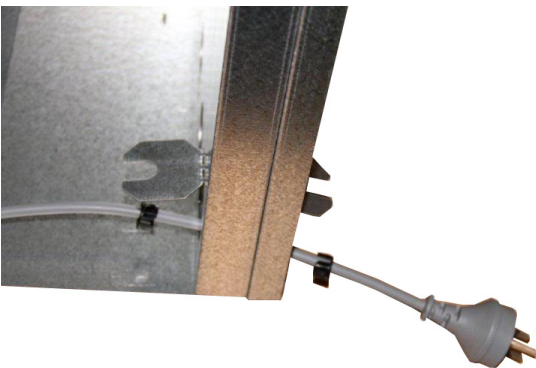


### Note:

Short 150mm s/s length supplied to match height of triple skins.

### Note 2:

Use plastic insulating covers where fan cord passes through inner and outer panels.

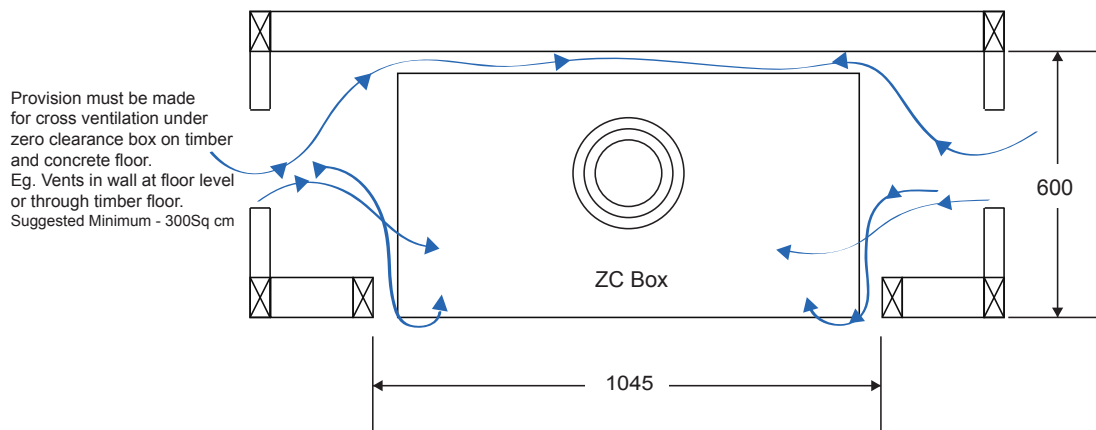


Triple skin flue must be installed from zero clearance box as per Australian Standards. A 25mm clearance from the outer 10" casing to any combustible material must be maintained.

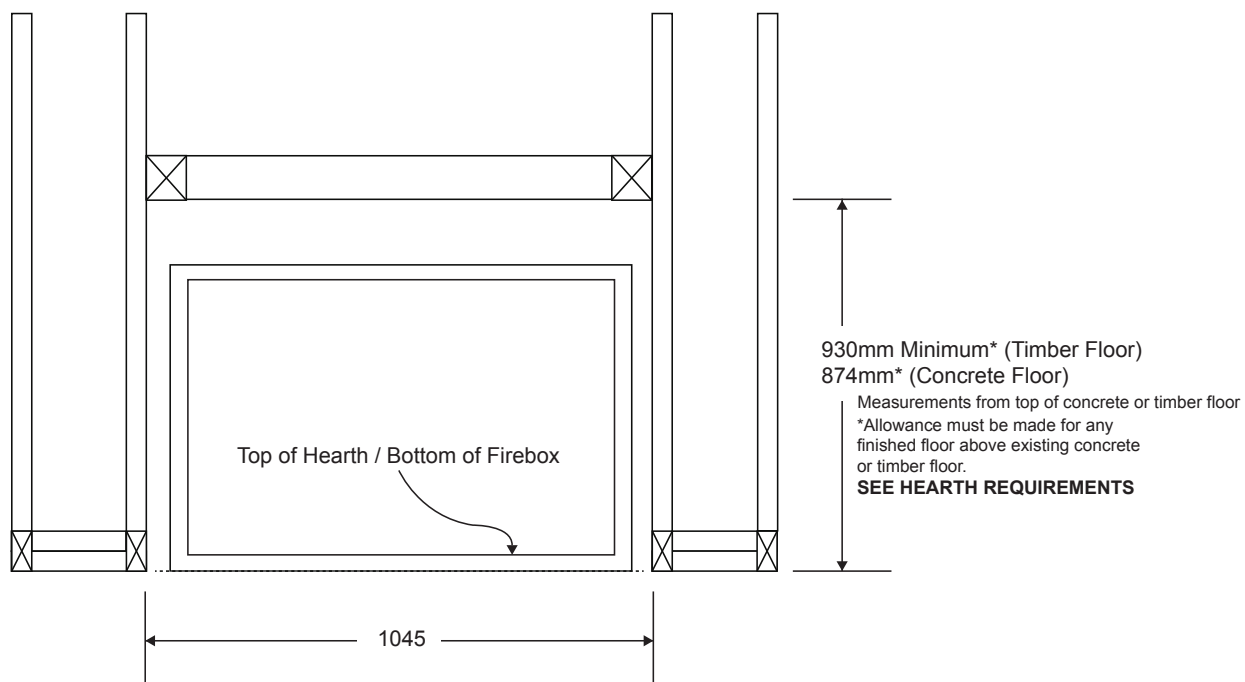
Please see heater owners manual for other clearances and more information.

## Framing Dimensions for Zero Clearance Box - Flush Wood Only

Plan View - Timber or Concrete Floor



Elevation View

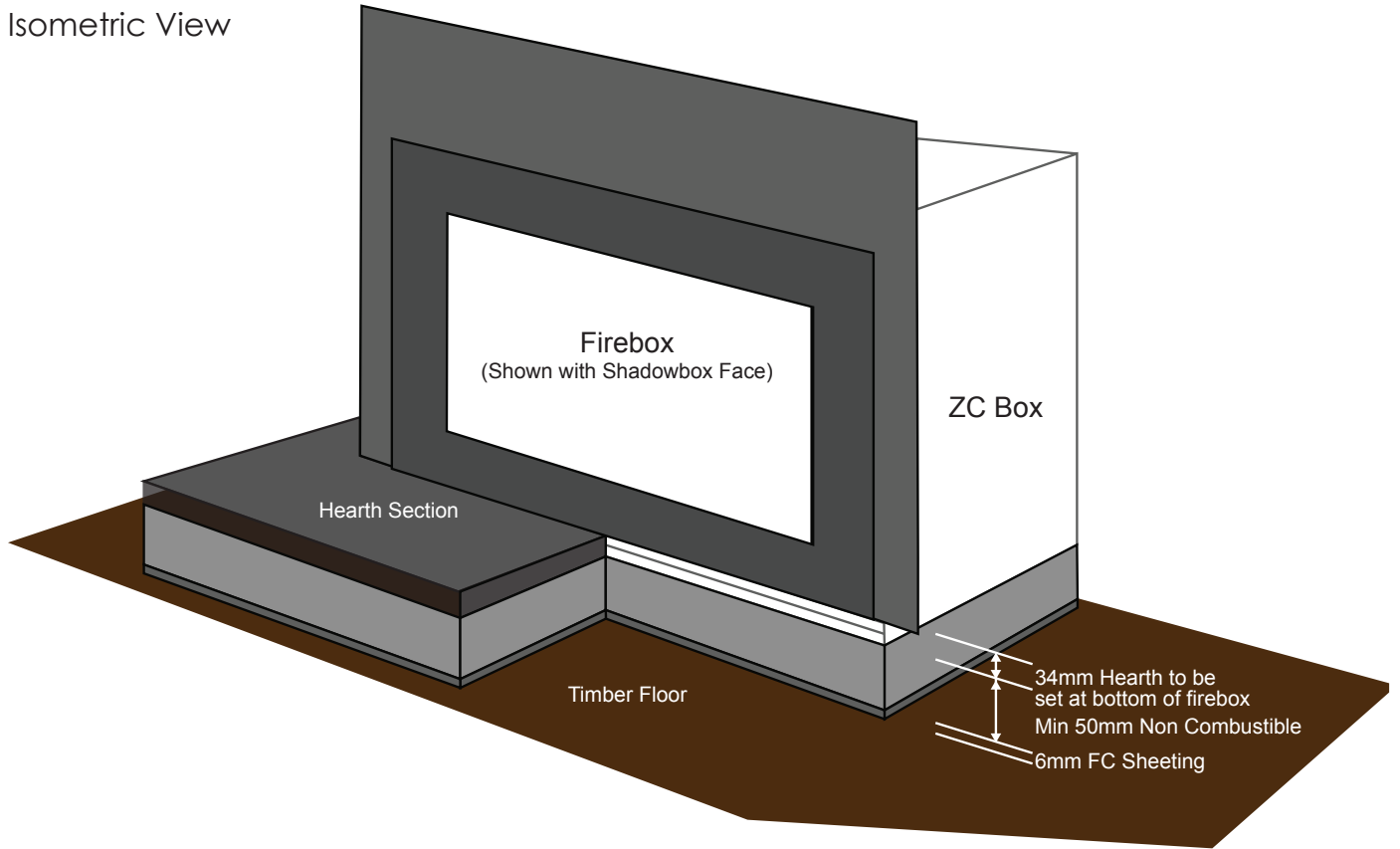


\*\*Dimensions are subject to change at our discretion, please check with our office for further details

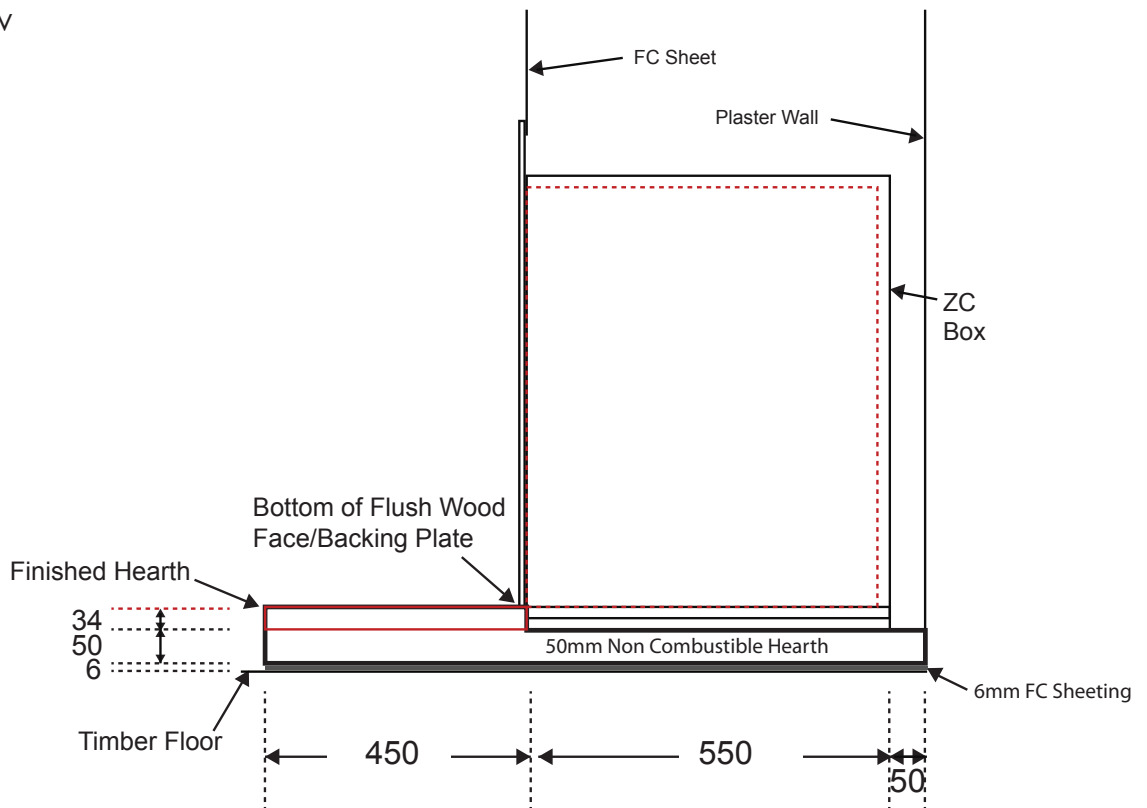


### Hearth Requirements for Zero Clearance Box - Flush Wood Only TIMBER FLOORS

Isometric View

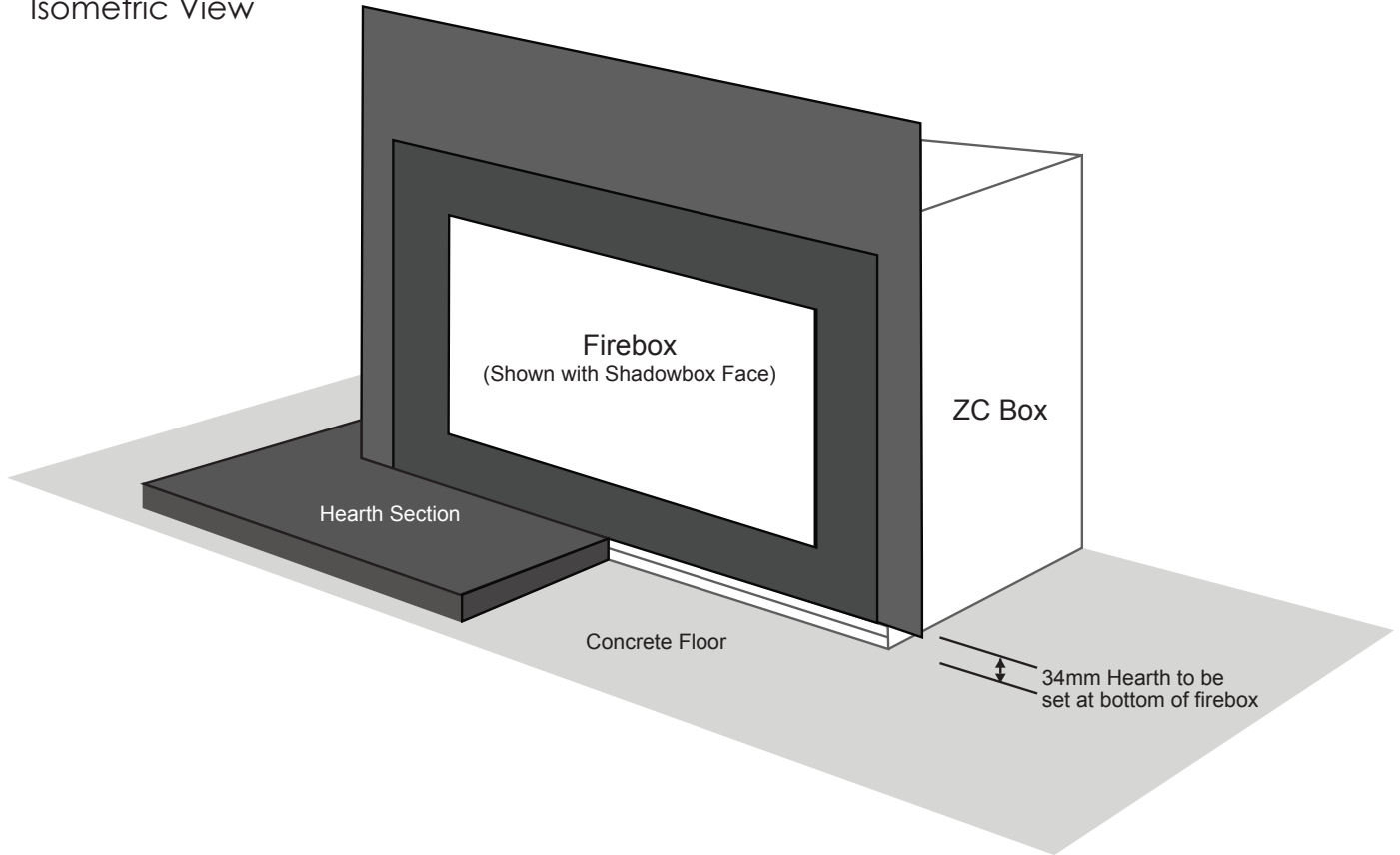


Section View

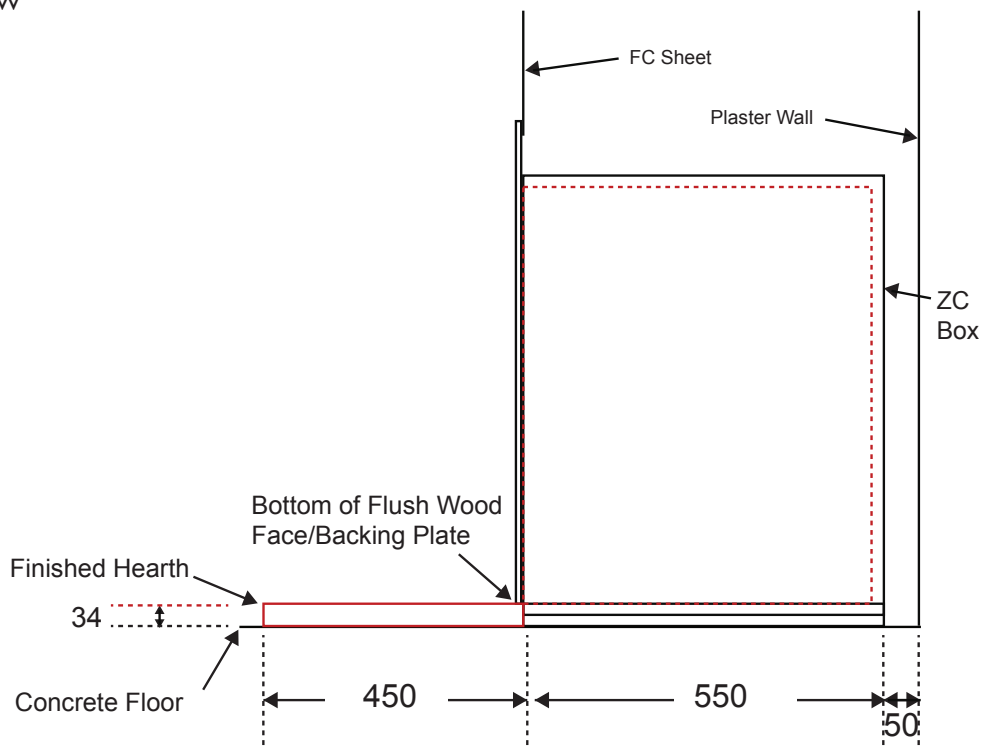


**Hearth Requirements for Zero Clearance Box - Flush Wood Only**  
**CONCRETE FLOORS**

Isometric View



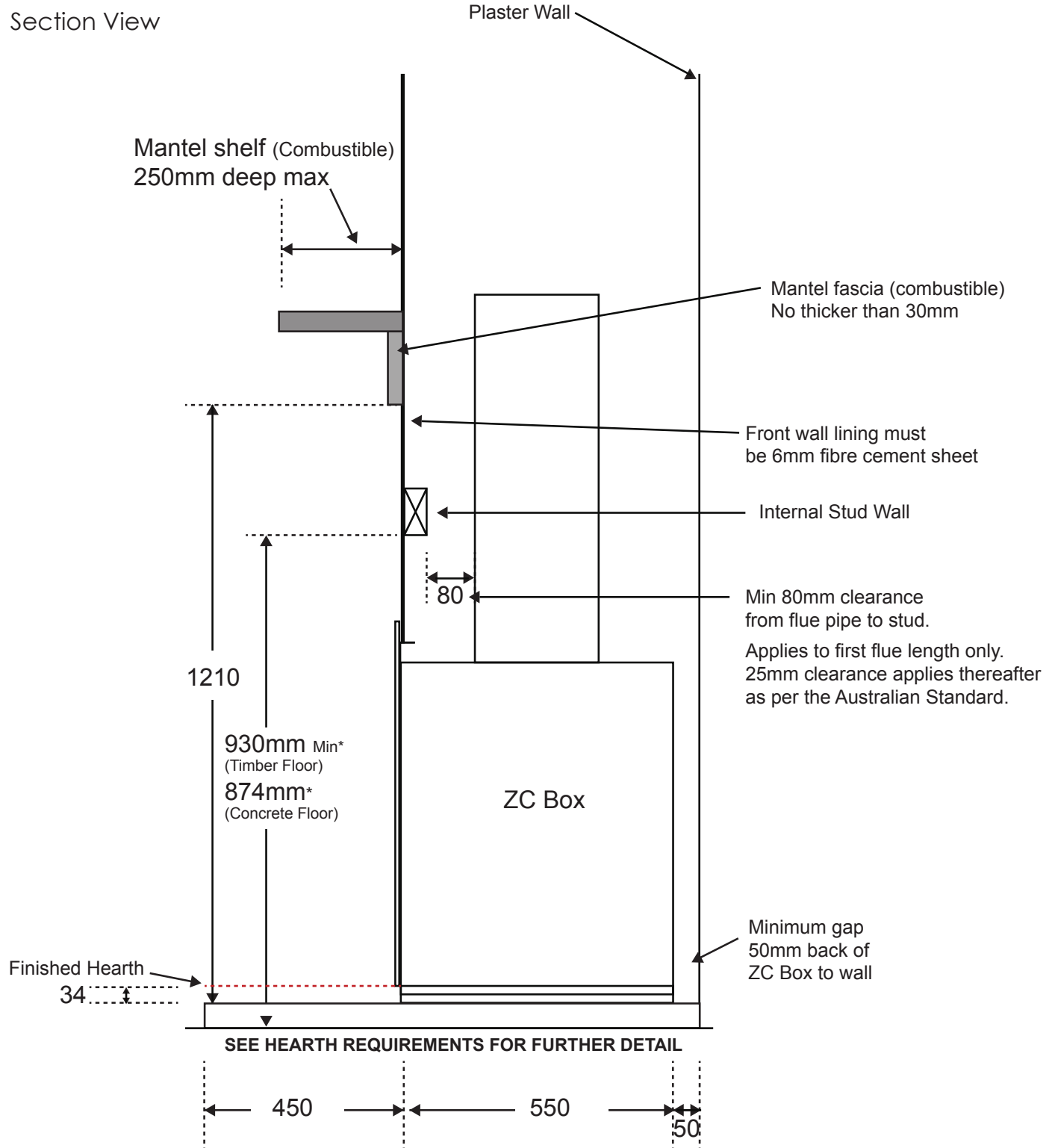
Section View





### Minimum Clearances & Hearth Requirements for Zero Clearance Box - Flush Wood Only

Section View



\*Allowance must be made for any finished floor above existing concrete or timber floor.  
**SEE HEARTH REQUIREMENTS**

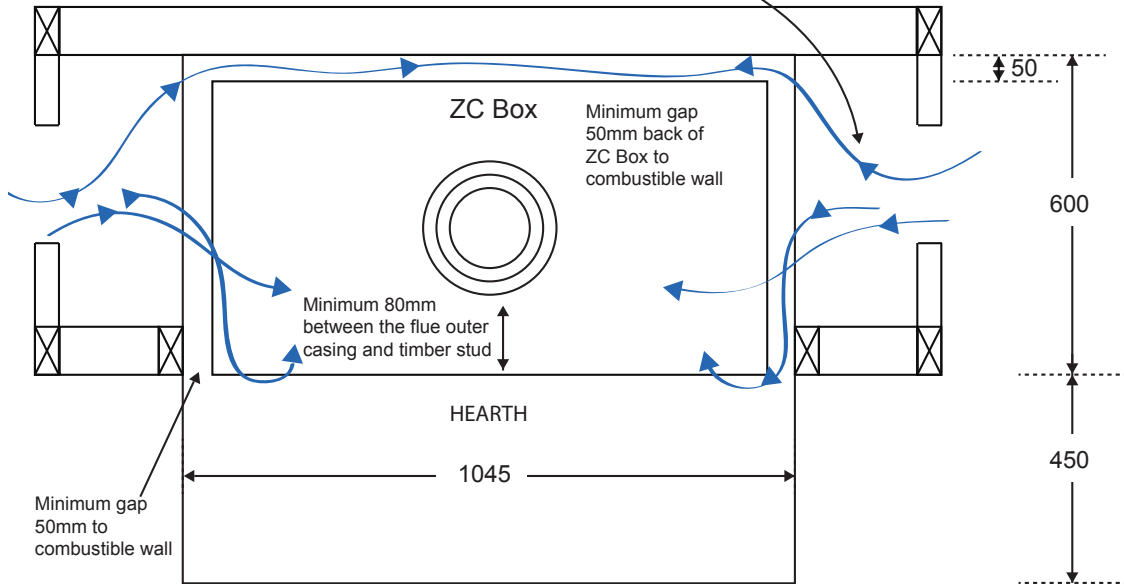
\*\*Dimensions are subject to change at our discretion, please check with our office for further details



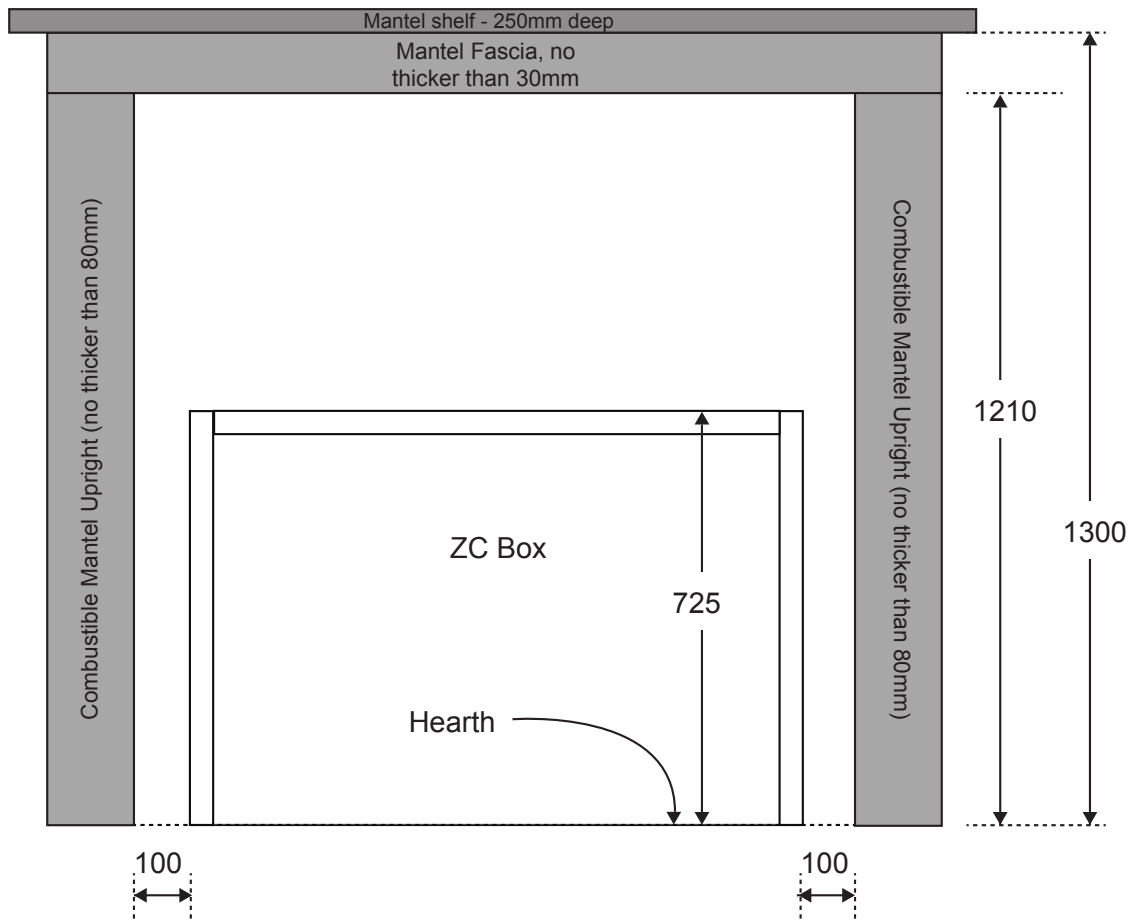
**Minimum Clearances & Hearth Requirements  
for Zero Clearance Box - Flush Wood Only**

**Plan View**

Provision must be made for cross ventilation under zero clearance box on timber and concrete floor.  
Eg. Vents in wall at floor level or through timber floor.  
Suggested Minimum - 300Sq cm



**Elevation View**



\*\*Dimensions are subject to change at our discretion, please check with our office for further details